

PRESTINE

www.prestine.com.tw

Precision

Quality

Service

Innovation

STEP BY STEP 2025

HEADSETS

BOTTOM BRACKETS

EXPANDER & TENSION ADJUSTER

ACCESSORIES

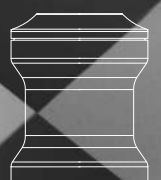
BEARINGS

YANTEC INDUSTRIES INC.



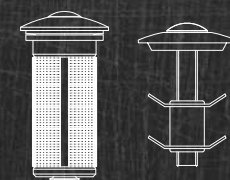
BOTTOM BRACKETS

- 022** ECCENTRIC BB
- 023** DUB BB SYSTEM FOR 29 SPINDEL
- 032** T47BB M47 x P1.0 THREADED
- 037** PF30A24 / BB30A24 / BSABB30 / BB8630
- 046** BB386 / BB386 ADAPTER
- 055** PF30 / PF30 ADAPTER
- 061** BB30 ADAPTER
- 065** BB86 / BB92
- 069** EXTERNAL BB
- 073** SQUARE COTTERLESS BB



HEADSETS

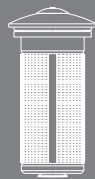
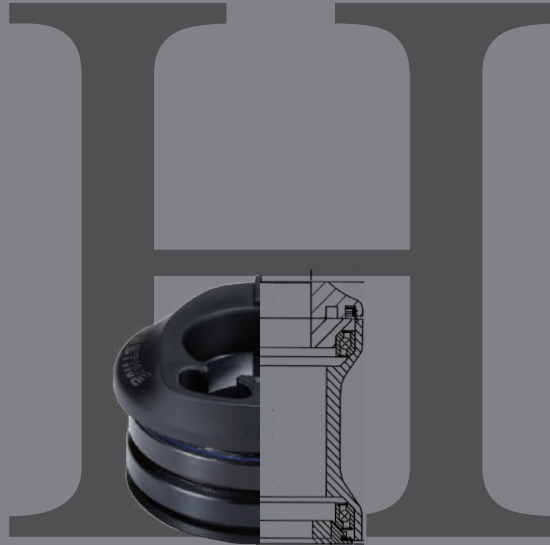
- 02** INTERNAL CABLE ROUTING SYSTEM HEADSET



ACCESSORIES

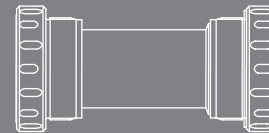
- 077** EXPANDERS
- 080** MICRO SPACERS
- 081** BEARINGS & SPACER



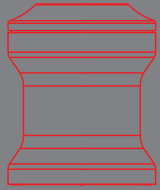


HEADSETS

YANTEC INDUSTRIES INC.



*PRES*TINE



CABLE INTERGRATION SYSTEM HEADSET

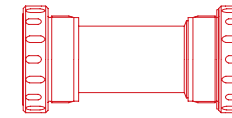


PAGE	ITEM NUMBER	S.H.I.S	UPPER		LOWER		TOP DEPTH	BOTTOM	STACK HEIGHT
			BEARING NO.	BEARING TYPE	BEARING NO.	BEARING TYPE			
2	PT-1866A-078 ZOOM	IS52/28.6 IS52/40	R457B	Sealed AC bearing	R457B	Sealed AC bearing	9.8	1	10.8
3	PT-1866B-078 ZOOM	IS52/28.6 IS52/40	R457B	Sealed AC bearing	R457B	Sealed AC bearing	9.7	1	10.7
4	PT-1866BC-078 ZOOM	IS52/28.6 ZS56/40	R457B	Sealed AC bearing	R457B	Sealed AC bearing	9.8	1	10.8
5	PT-1866C-078 ZOOM	ZS56/28.6 ZS56/40	R457B	Sealed AC bearing	R457B	Sealed AC bearing	13	3	16
6	PT-1866E-078 ZOOM	EC44/28.6 EC44/40	R457B	Sealed AC bearing	R457B	Sealed AC bearing	22.3	13.6	35.3
7	PT-1866EC-078 ZOOM	ZS56/28.6 ZS56/40	R457B	Sealed AC bearing	R457B	Sealed AC bearing	9.8	1	10.8
8	PT-1866F-078 ZOOM	ZS56/28.6 ZS66/45.8	R457B	Sealed AC bearing	R458B	Sealed AC bearing	13.9	3.5	17.4
9	PT-1865 / PT-1865N	IS52/28.6 IS52/40	R457B	Sealed AC bearing	R457B	Sealed AC bearing	9.6	1	10.6
10	PT-68/H2502/PT-1709EA	-	-	-	-	-	-	-	-
11	PT-1863KC/PT-1864KC	IS52/28.6 IS52/40	R457B	Sealed AC bearing	R457B	Sealed AC bearing	9.8	1	10.8
12	PT-F13KC	ZS56/28.6 ZS56/40	R457B	Sealed AC bearing	R457B	Sealed AC bearing	11.7	3	14.7
13	PT-F18KC	ZS56/28.6 ZS66/45.8	R457B	Sealed AC bearing	R458B	Sealed AC bearing	11.7	3.5	15.2
14	PT-F18B	ZS56/28.6 ZS66/45.8	R413B	Sealed AC bearing	R458B	Sealed AC bearing	7.7	3.5	11.2
15	PT-1864D/PT-1863D	IS52/28.6 IS52/40	R425	Sealed AC bearing	R425	Sealed AC bearing	10.8	1	11.8
16	F16A	ZS56/28.6 ZS56/40	R413	Sealed AC bearing	R413	Sealed AC bearing	11.9	2.8	14.7
17	F16AB	ZS56/28.6 ZS56/40	R457B	Sealed AC bearing	R457B	Sealed AC bearing	10.8	3	13.8

INTERNAL CABLE ROUTING SYSTEM HEADSET



ACCESSORIES



BOTTOM BRACKETS



PT-1866A-078

IS52/28.6 | IS52/40

Internal Cable Routing System (Integrated Headset)

1.5" upper / 1.5" bottom for Tapered fork 1 1/8" - 1.5"

Ø28.6* 52* 52* 39.8

Height: 9.7+1=10.7mm

Bearings: Sealed AC bearings

52* 45°* H7 (R457B)

Material: W/AL-7075 crown race

Headtube Bearing Seat depth upper 8.3 lower 8.3

Option:1867A-078 ③ compression ring (NYLON PAG+30%GF)

ZOOM

Precision Steering Components

With ZOOM ICR stem

TDS-(R)D631-8FOV

TDS-D632-8FOV

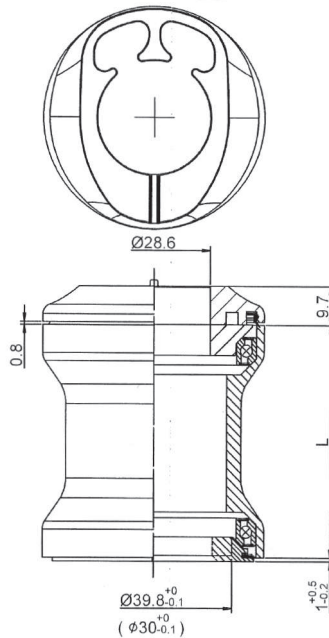
TDS-C634-8FOV

TDS-D636-8FOV

TDS-D645-8FOV

TDS-D658-8FOV

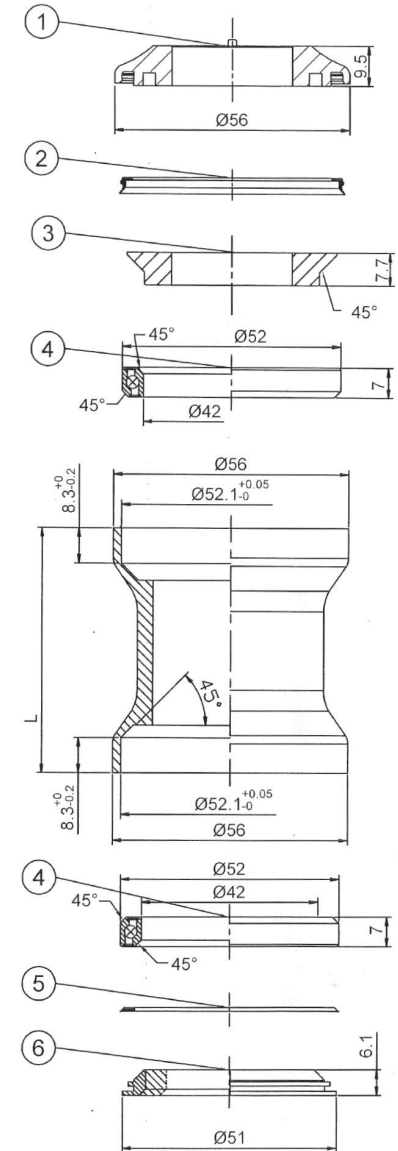
TM-AL-20-8



Stack High=9.7+1=10.7±0.5

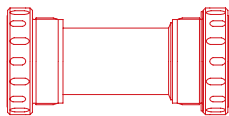
型號 MODEL NO.	零件料號 Item No.	ØD	+0 -0.1
⑥ PT-1866A-078-1	H6430-1	ø39.8	+0 -0.1
PT-1866A-078-2	H6430-2	ø30.0	+0 -0.1

NO.	零件名稱 ITME NAME	零件料號 ITEM NO.	材質 MATERIAL	數量 QTY
1	上蓋 / TOP COVER	078-H1924	Nylon	1PCS
2	防水圈 / SEAL	418-PRD1023-1	Rubber	1PCS
3	束環 (穿線) / COMPRESSION RING	H2884	AL6061	1PCS
4	軸承 (52x42x45° x7) / SEALED BEARING	R457B	SUJ-2	2PCS
5	防水圈 / SEAL	A277	Rubber	1PCS
6	1.5" 鋁下塞 (下 8.3 用) / CROWN RACE	-	AL7075	1PCS

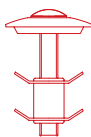




BOTTOM BRACKETS



ACCESSORIES



INTERNAL CABLE ROUTING SYSTEM HEADSET



PT-1866B-078

IS52/28.6 | IS52/40

Internal Cable Routing System (Integrated Headset)
1.5" upper / 1.5" bottom for Tapered fork 1 1/8" - 1.5"
Ø28.6* 52* 52* 39.8

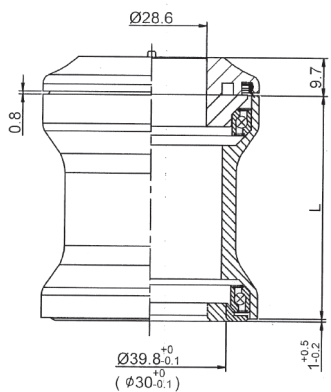
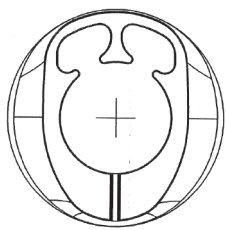
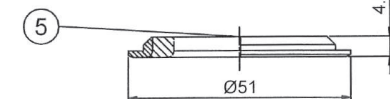
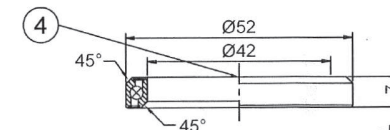
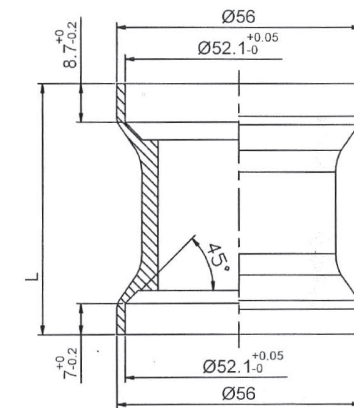
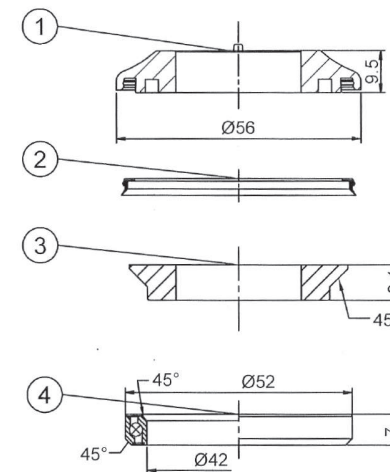
- Height: 9.7+1=10.7mm
- Bearings: Sealed AC bearings
52* 45°* H7 (R457B)
- Material: W/AL-7075 crown race
- Headtube Bearing Seat depth upper 8.7 lower 7
- Option:1867B-078 ③ compression ring (NYLON PAG+30%GF)



Precision Steering Components

With ZOOM ICR stem

- TDS-(R)D631-8FOV
- TDS-D632-8FOV
- TDS-C634-8FOV
- TDS-D636-8FOV
- TDS-D645-8FOV
- TDS-D658-8FOV
- TM-AL-20-8



Stack Height=9.7+1=10.7±0.5

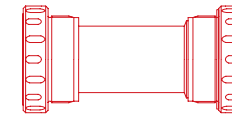
型號 MODEL NO.	零件料號 Item No.	∅D	+0 -0.1
PT-1866B-078-1	H6420-1	∅39.8	+0 -0.1
PT-1866B-078-2	H6421-1	∅30.0	+0 -0.1

NO.	零件名稱 ITEM NAME	零件料號 ITEM NO.	材質 MATERIAL	數量 QTY
1	上蓋 / TOP COVER	078-H1924	Nylon	1PCS
2	防水圈 / SEAL	418-PRD1023-1	Rubber	1PCS
3	束環 (穿線) / COMPRESSION RING	H2883	AL6061	1PCS
4	軸承 (52x42x45° x7) / SEALED BEARING	R457B	SUJ2	2PCS
6	鋁下塞 / CROWN RACE	-	AL7075	1PCS

INTERNAL CABLE ROUTING SYSTEM HEADSET



ACCESSORIES



BOTTOM BRACKETS



PT-1866BC-078

zoom
Precision Steering Components

IS52/28.6 | ZS56/40

Internal Cable Routing System

1.5" upper 52mm / 1.5" bottom 56mm for Tapered fork 1 1/8" - 1.5"
Ø28.6* 52* 56* 39.8

Height: 9.7+3=12.7mm

Bearings: Sealed AC bearings

Material: 52* 45* H7 (R457B)

Option: 1867BC-078 ③ compression ring (NYLON PAG+30%GF)

With ZOOM ICR stem

TDS-(R)D631-8FOV

TDS-D632-8FOV

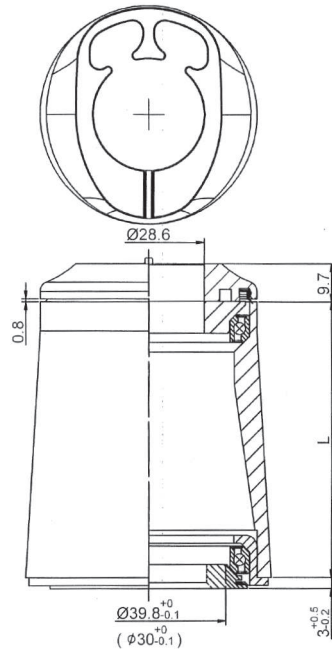
TDS-C634-8FOV

TDS-D636-8FOV

TDS-D645-8FOV

TDS-D658-8FOV

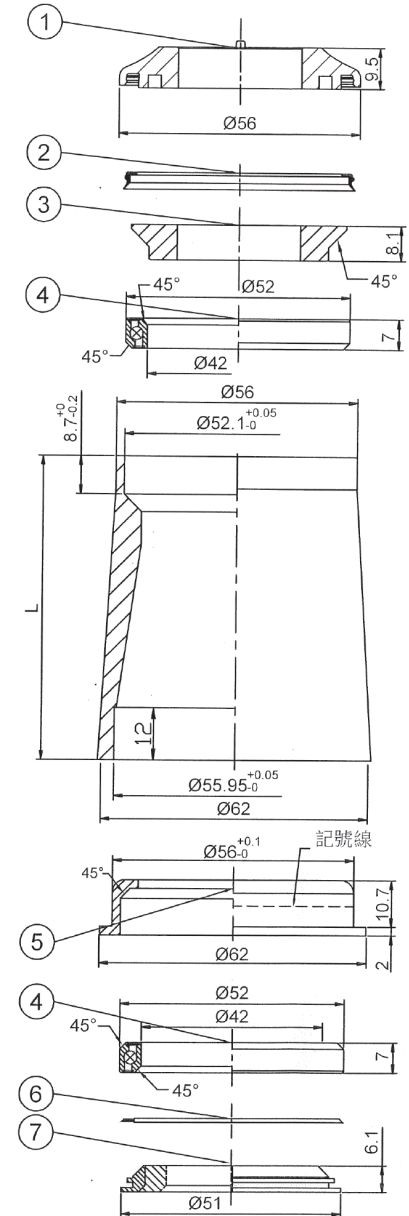
TM-AL-20-8

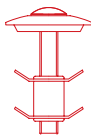
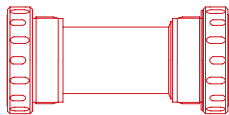
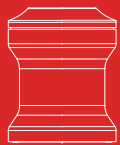


Stack Height=9.7+3=12.7±0.5

型號 MODEL NO.	零件料號 Item No.	ØD	+0 -0.1
⑦ PT-1866BC-078-1	H6430-1	ø39.8	+0 -0.1
PT-1866BC-078-2	H6430-2	ø30.0	+0 -0.1

NO.	零件名稱 ITEM NAME	零件料號 ITEM NO.	材質 MATERIAL	數量 QTY
1	上蓋 / TOP COVER	078-H1924	Nylon	1PCS
2	防水圈 / SEAL	418-PRD01023-1	Rubber	1PCS
3	束環 (穿線) / COMPRESSION RING	H2883	AL6061	1PCS
4	軸承 (52x42x45° x7) / SEALED BEARING	R457B	SUJ2	2PCS
5	56 鋁軸承 / LOWER CUP	H5527	AL6061	2PCS
6	防水圈 / SEAL	A277	Rubber	1PCS
7	1.5" 鋁下塞 / CROWN RACE	-	AL7075	1PCS





INTERNAL CABLE ROUTING SYSTEM HEADSET



PT-1866C-078

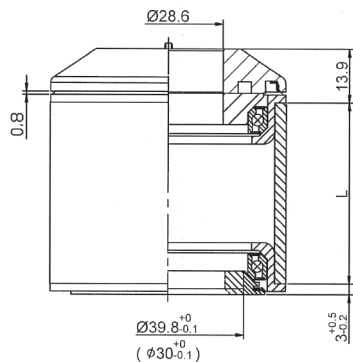
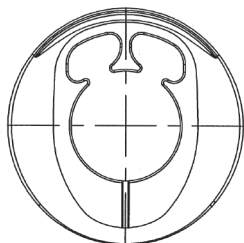
ZS56/28.6 | ZS56/40

For integrated cable routing system
 Internal Headset $\varnothing 28.6 \times 56 \times 56 \times 39.8$
 1.5 upper / 1.5 bottom head tube for
 tapered fork 1 1/8" - 1.5"
 Height: 13.9+3=16.9mm
 Bearings: Sealed AC bearings R457B
 Material: w/AL-7075 crown race
 Finish: Anodized

ZOOM
 Precision Steering Components

With ZOOM ICR stem

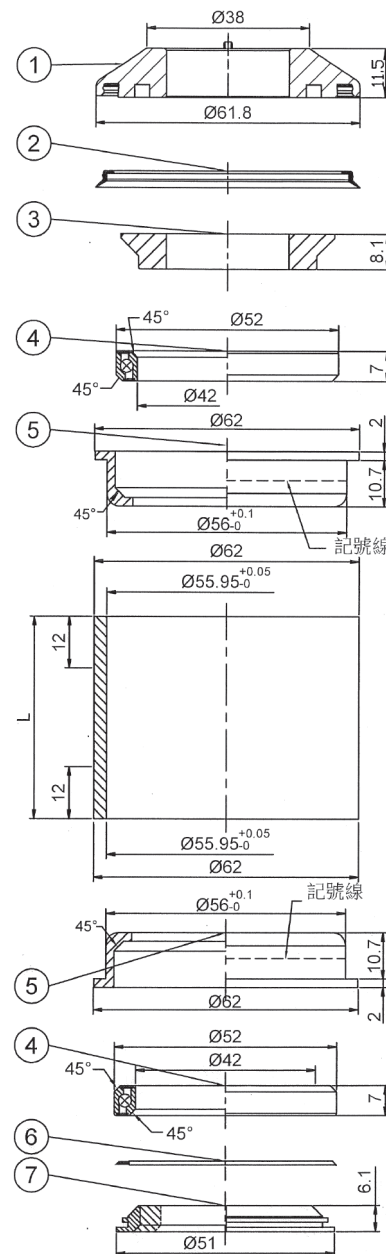
TDS-(R)D631-8FOV
 TDS-D632-8FOV
 TDS-C634-8FOV
 TDS-D636-8FOV
 TDS-D645-8FOV
 TDS-D658-8FOV
 TM-AL-20-8



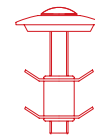
Stack Height=13.9+3=16.9±0.5

型號 MODEL NO.	零件料號 Item No.	ØD	+0 -0.1
⑦ PT-1866C-078-1	H6430-1	ø39.8	+0 -0.1
PT-1866C-078-2	H6430-2	ø30.0	+0 -0.1

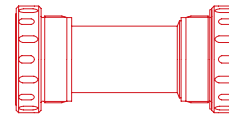
NO.	零件名稱 ITEM NAME	零件料號 ITEM NO.	材質 MATERIAL	數量 QTY
1	1 1/8" 鋁上蓋 (穿線) / TOP COVER	078-H1926	Nylon	1PCS
2	防水圈 / SEAL	A301	Rubber	1PCS
3	束環 (穿線) / COMPRESSION RING	H2883	AL6061	1PCS
4	軸承 (52x42x45° x7) / SEALED BEARING	R457B	SUJ2	2PCS
5	56 鋁軸承下碗 / LOWER CUP	H5527	AL6061	2PCS
6	防水圈 / SEAL	A277	Rubber	1PCS
7	鋁下塞 / CROWN RACE	-	AL7075	1PCS



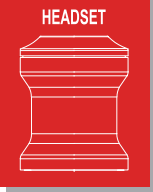
INTERNAL CABLE ROUTING SYSTEM HEADSET



ACCESSORIES



BOTTOM BRACKETS



HEADSET



PT-1866E-078

EC44/28.6 | EC44/40

For integrated cable routing system

Ø28.6x44x44x39.8

Height: 22.3+13.6=35.3mm

Bearings: Sealed AC bearings R457B

Material: Alloy 6061-T6 w/AL-7075 crown race

Finish: Anodized

Precision Steering Components

With ZOOM ICR stem

TDS-(R)D631-8FOV

TDS-D632-8FOV

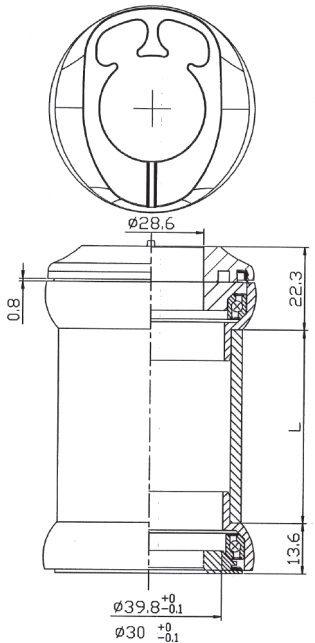
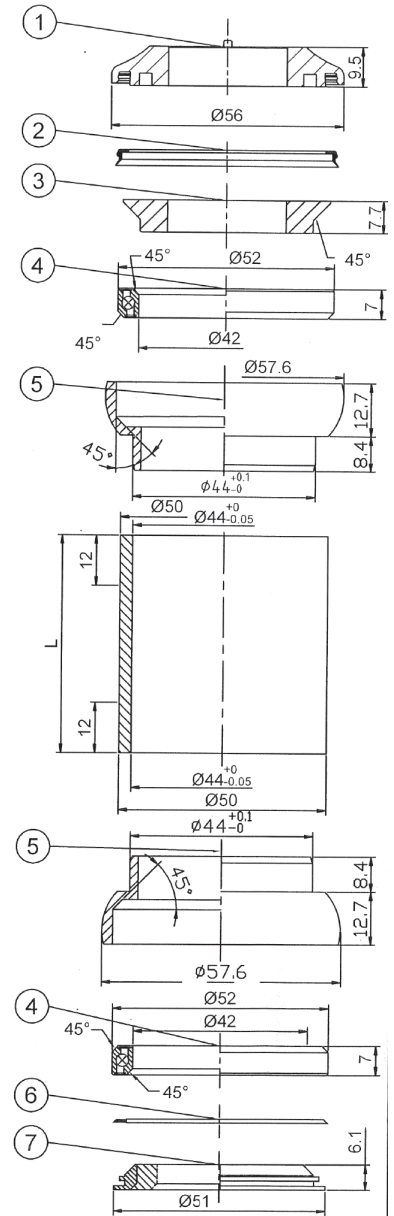
TDS-C634-8FOV

TDS-D636-8FOV

TDS-D645-8FOV

TDS-D658-8FOV

TM-AL-20-8



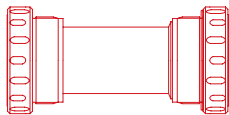
Stack Hight=22.3+13.6=35.3±0.5

型號 MODEL NO.	零件料號 Item No.	ØD	+0 -0.1
⑦ PT-1866E-078-1	H6430-1	$\phi 39.8$	+0 -0.1
PT-1866E-078-2	H6430-2	$\phi 30.0$	+0 -0.1

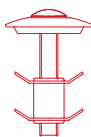
NO.	零件名稱 ITME NAME	零件料號 ITEM NO.	材質 MATERIAL	數量 QTY
1	上蓋 / TOP COVER	078-H1924	Nylon	1PCS
2	防水圈 / SEAL	418-PRD01023-1	Rubber	1PCS
3	束環 (穿線) / COMPRESSION RING	H2884	AL6061	1PCS
4	軸承 (52x42x45° x7) / SEALED BEARING	R457B	SUJ-2	2PCS
5	鋁上下碗 / LOWER CUP	078-H5520	AL6061	2PCS
6	防水圈 / SEAL	A277	Rubber	1PCS
7	1.5" 鋁下塞 / CROWN RACE	-	AL7075	1PCS



BOTTOM BRACKETS



ACCESSORIES



INTERNAL CABLE ROUTING SYSTEM HEADSET



PT-1866EC-078

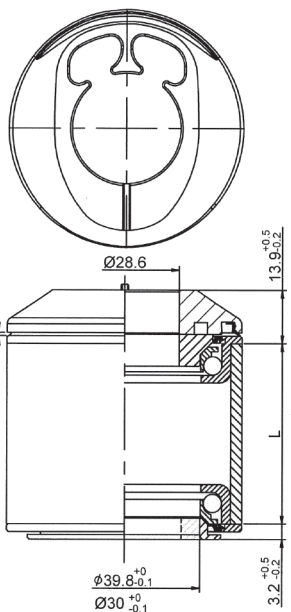
ZS56/28.6 | ZS56/40

For integrated cable routing system
 Internal Headset $\varnothing 28.6 \times 56 \times 56 \times 39.8$
 1.5 upper / 1.5 bottom head tube for
 tapered fork 1 1/8" - 1.5"
 Height: 13.9+3.2=17.1mm
 Bearings: Semi-Cartridge Bearings
 Material: Steel
 Finish: EDBK



With ZOOM ICR stem

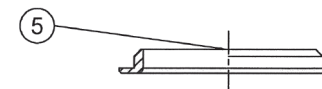
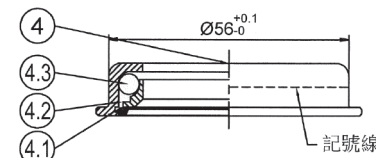
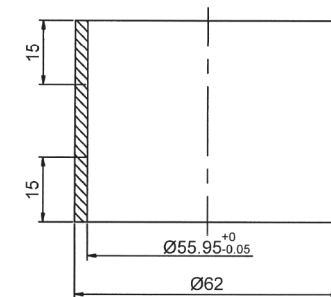
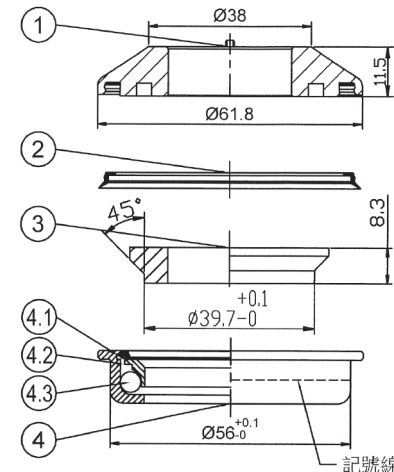
TDS-(R)D631-8FOV
 TDS-D632-8FOV
 TDS-C634-8FOV
 TDS-D636-8FOV
 TDS-D645-8FOV
 TDS-D658-8FOV
 TM-AL-20-8



Stack Hight=13.9+3.2=17.1±0.5

型號 MODEL NO.	零件料號 Item No.	ØD	+0 -0.1
⑤ PT-1866EC-078-1	H6426	$\varnothing 39.8$	+0 -0.1
PT-1866EC-078-2	H6223	$\varnothing 30.0$	+0 -0.1

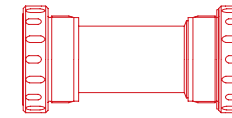
NO.	零件名稱 ITEM NAME	零件料號 ITEM NO.	材質 MATERIAL	數量 QTY
1	1 1/8" 鋁上蓋 (穿線) / TOP COVER	078-H1926	Nylon	1PCS
2	防水圈 / SEAL	A301	Rubber	1PCS
3	鋁束環 / COMPRESSION RING	H2882	AL6061	1PCS
4	56 半卡式下碗 / SEMI CARTRIDGE LOWER CUP	H5605-2	1008	2PCS
4.1	油封圈 / SEAL	A252	Nylon	2PCS
4.2	內珠軌 / BALL RACE	H7204-1ED	4130	2PCS
4	3/16"X23 珠巢 / BELL RETAINER	R206	-	2PCS
5	下塞 / CROWN RACE	-	1008	1PCS



INTERNAL CABLE ROUTING SYSTEM HEADSET



ACCESSORIES



BOTTOM BRACKETS



PT-1866F-078

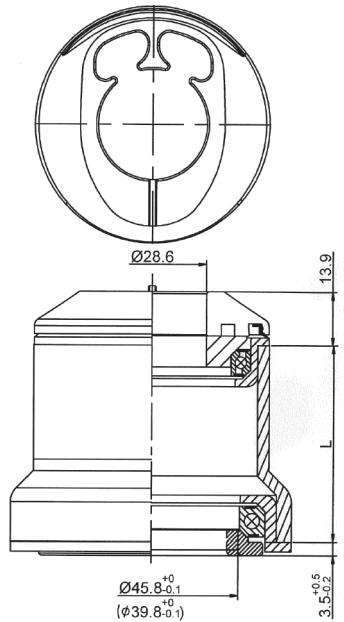
ZS56/28.6 | ZS66/45.8

For integrated cable routing system
 Internal Headset $\varnothing 28.6 \times 56 \times 66 \times 45.8$
 1.5 upper / 1.8 bottom head tube for
 tapered fork 1 1/8" - 1.8"
 Height: 13.9+3.5=17.4mm
 Bearings: Sealed AC bearings R457B/R458B
 Material: Alloy 6061-T6 w/AL-7075 crown race
 Finish: Anodized



With ZOOM ICR stem

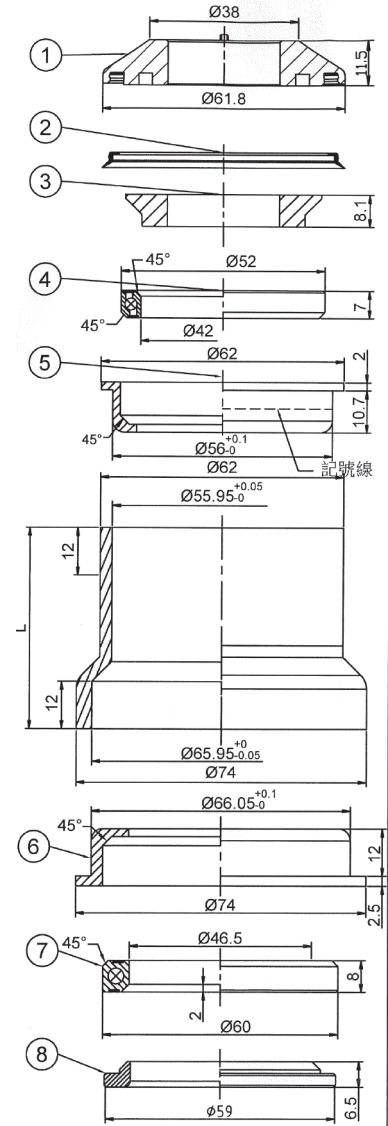
- TDS-(R)D631-8FOV
- TDS-D632-8FOV
- TDS-C634-8FOV
- TDS-D636-8FOV
- TDS-D645-8FOV
- TDS-D658-8FOV
- TM-AL-20-8



Stack Height=13.9+3.5=17.4±0.5

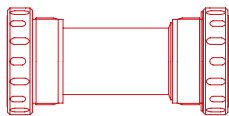
型號 MODEL NO.	零件料號 Item No.	ØD	+0 -0.1
PT-1867F-078-1	H6432-1	ø45.8	+0 -0.1
PT-1867F-078-2	611-H6432-1	ø39.8	+0 -0.1

NO.	零件名稱 ITEM NAME	零件料號 ITEM NO.	材質 MATERIAL	數量 QTY
1	1 1/8" 鋁上蓋 (穿線) / TOP COVER	078-H1926	Nylon	1PCS
2	防水圈 / SEAL	A301	Rubber	1PCS
3	束環 (穿線) / COMPRESSION RING	H2887	Nylon	1PCS
4	軸承 (52x42x45° x7) / SEALED BEARING	R457B	SUJ2	1PCS
5	56 鋁軸承下碗 / LOWER CUP	H5527	AL6061	1PCS
6	66 鋁軸承下碗 / LOWER CUP	H5528	AL6061	1PCS
7	軸承 (60x46.5x8x45°) / SEALED BEARING	R458B	SUJ2	1PCS
8	1.8" 鋁下塞 / CROWN RACE	-	AL7075	1PCS

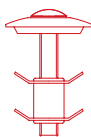




BOTTOM BRACKETS



ACCESSORIES



INTERNAL CABLE ROUTING SYSTEM HEADSET



PT-1865

IS52/28.6 | IS52/40

Internal Cable Routing System (Integrated Headset)
1.5" upper / 1.5" bottom for Tapered fork 1 1/8" - 1.5"
Ø28.6* 52* 52* 39.8

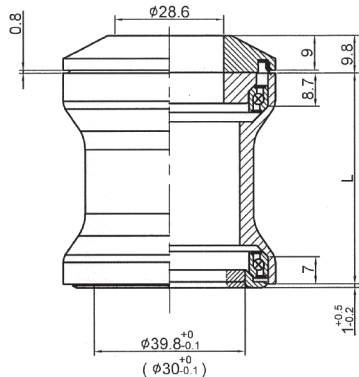
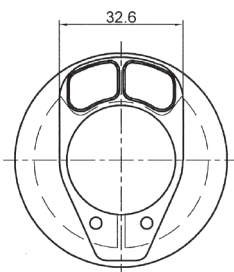
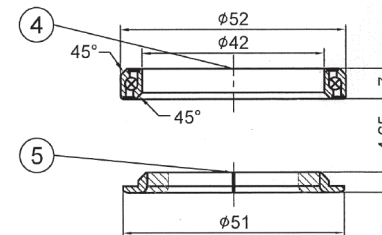
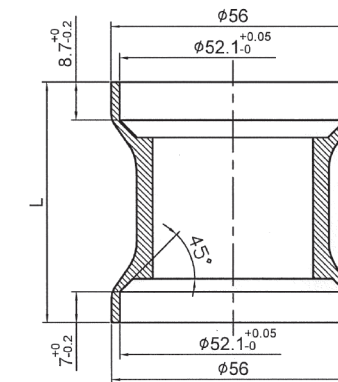
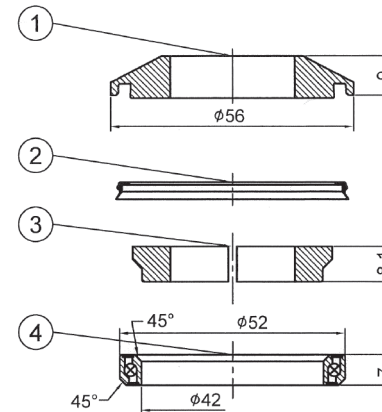
Height: 9.8+1=10.8mm
Sealed AC bearings
Bearings: 52* 45°* H7 (R457B)
Material Top cover: AL6061, W/AL-7075 crown race

PT-1865N

③ compression ring (NYLON PAG+30%GF)

型號 MODEL NO.	零件料號 Item No.	ØD	+0 -0.1
PT-1865-1	H6420-1	ø39.8	+0 -0.1
PT-1865-2	H6421-1	ø30.0	+0 -0.1

NO.	零件名稱 ITME NAME	零件料號 ITEM NO.	材質 MATERIAL	數量 QTY
1	1 1/8" 鋁上蓋 (穿線) / TOP COVER	H1924	Nylon	1PCS
2	防水圈 / SEAL	418-PRD1023-1	Rubber	1PCS
3	束環 (穿線) / COMPRESSION RING	H2875	AL6061	1PCS
4	軸承 (52x42x45° x7) / SEALED BEARING	R457B	SUJ2	2PCS
5	鋁下塞 / CROWN RACE	-	AL7075	1PCS

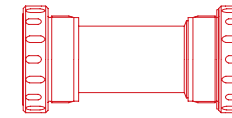


Stack High=9.6+1=10.6±0.5

INTERNAL CABLE ROUTING SYSTEM HEADSET



ACCESSORIES



BOTTOM BRACKETS



HEADSET

PT-68

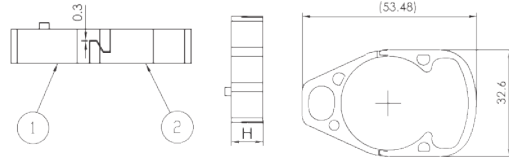


[NYLON,PAG+30%GF]

Spacer

PT-68

H:5mm & 10mm



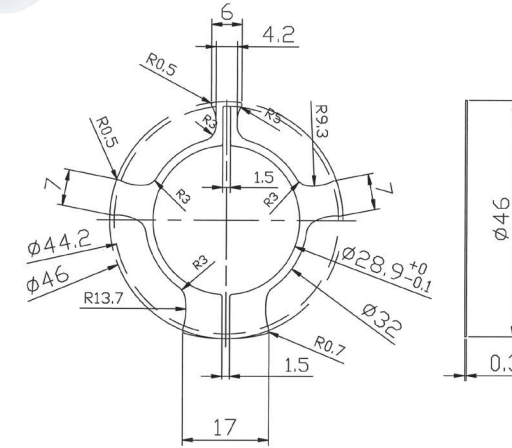
型號 Model No	① 零件料號 Item No.	② 零件料號 Item No.	厚度
PT-68-5	H2218-5	H2219-5	L=5
PT-68-10	H2218-10	H2219-10	L=8

NO.	零件名稱 ITEM NAME	零件料 ITEM NO.	材質 MATERIAL	數量 QTY
1	墊圈 - 凸 / ROAD SPACER	-	Nylon	1PCS
2	墊圈	-	Nylon	1PCS

H-2502



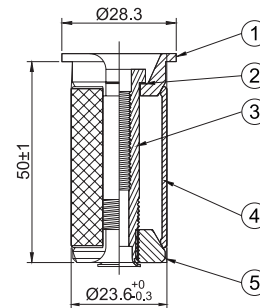
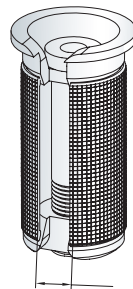
For Integrated cable routing
1 1/8" micro spacer
T: 0.3mm / ID 28.6mm
Minor adjustable for space
between upper of headtube
& Headset top cover



PT-1709EA

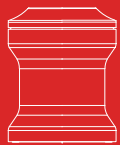


Alloy Expander L: 50mm
Full set made by alloy
OD Ø23.3 for 1 1/8"
steerer ID: 23.3 - 24mm
w/6.5mm slotted gape for cable

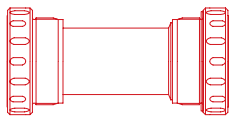


6.5mm

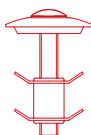
NO.	零件名稱 ITEM NAME	零件料 ITEM NO.	材質 MATERIAL	數量 QTY
1	23_1 凸上壓 UPPER COMPRESSION	L2106-2	AL6061	1PCS
2	白鐵華司 (Ø12.6xØ10.5x0.3) WASHER	H2217	SUS	1PCS
3	M10 中空螺絲 M6(加長型) HOLLOW BOLT	L1052	AL6061	1PCS
4	中套 (銑溝) / SHELL	L4125	AL6061	1PCS
5	下壓力片 (銑溝) LOWER COMPRESSION	L3102-2	AL6061	1PCS



BOTTOM BRACKETS



ACCESSORIES



INTERNAL CABLE ROUTING SYSTEM HEADSET

PT-1863KC

IS52/28.6 | IS52/40

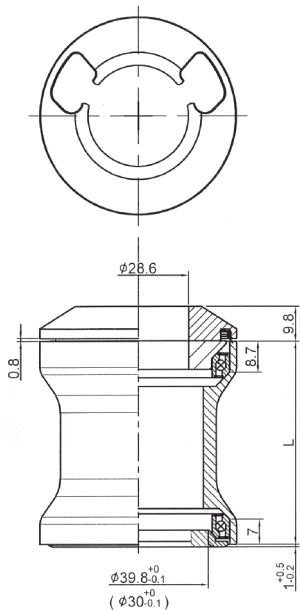
Internal Cable Routing System (Integrated Headset)
1.5" upper / 1.5" bottom for Tapered fork 1 1/8" - 1.5"
Ø28.6* 52* 52* 39.8

Height: 9.8+1=10.8mm
Bearings: Sealed AC bearings
52* 45°* H7 (R457B)
Material Top cover: AL6061, W/AL-7075 crown race

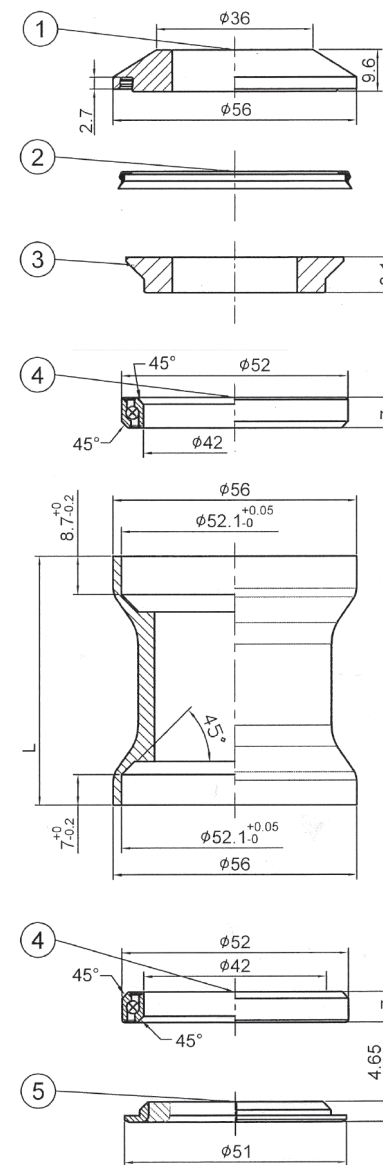


PT-1864KC

PT-1863KC-(Headtube Bearing seat depth upper 8.7 Lower 7)
PT-1864KC-(Headtube Bearing seat depth upper 8.3 Lower 8.3)



Stack Height=9.8+1=10.8±0.5



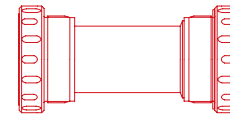
型號 MODEL NO.	零件料號 Item No.	ØD	+0 -0.1
⑤ PT-1863KC-1	H6420-1	ø39.8	+0 -0.1
PT-1863KC-2	H6421-1	ø30.0	+0 -0.1

NO.	零件名稱 ITME NAME	零件料號 ITEM NO.	材質 MATERIAL	數量 QTY
1	1 1/8" 鋁上蓋 (穿線) / TOP COVER	H1930	Nylon	1PCS
2	防水圈 / SEAL	418-PRD1023-1	Rubber	1PCS
3	束環 (穿線) / COMPRESSION RING	H2880	AL6061	1PCS
4	軸承 (52x42x45° x7) / SEALED BEARING	R457B	SUJ2	2PCS
6	鋁下塞 / CROWN RACE	-	AL7075	1PCS

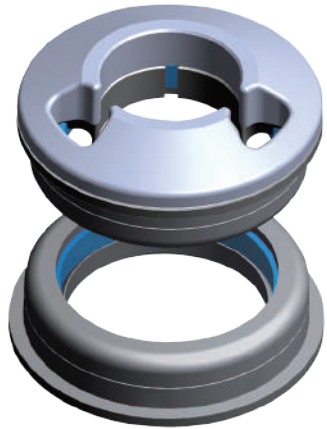
INTERNAL CABLE ROUTING SYSTEM HEADSET



ACCESSORIES



BOTTOM BRACKETS

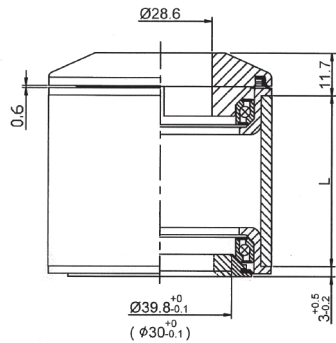
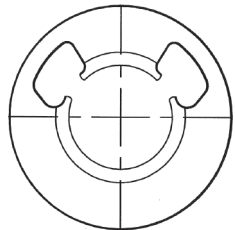


PT-F13KC

ZS56/28.6 IZS56/40

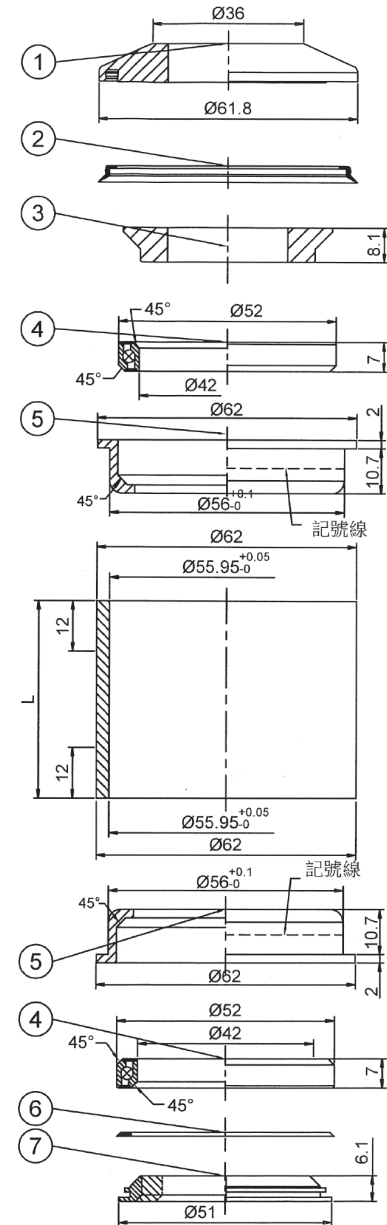
For semi-Integration cable routing system
 Internal Headset $\varnothing 28.6 \times 56 \times 56 \times 39.8$
 1.5 upper / 1.5 bottom head tube for tapered fork 1 1/8" - 1.5"
 Height: 11.7+3=14.7mm
 Weight: 132g
 Bearings: Sealed AC bearings R457B
 Material: Alloy 6061-T6 w/AL-7075 crown race
 Finish: Anodized

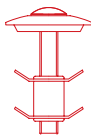
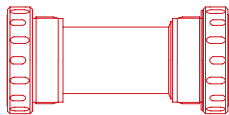
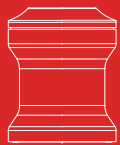
型號 MODEL NO.	零件料號 Item No.	$\varnothing D$	+0 -0.1
PT-F13KC-1	H6430-1	$\varnothing 39.8$	+0 -0.1
PT-F13KC-2	H6430-2	$\varnothing 30.0$	+0 -0.1



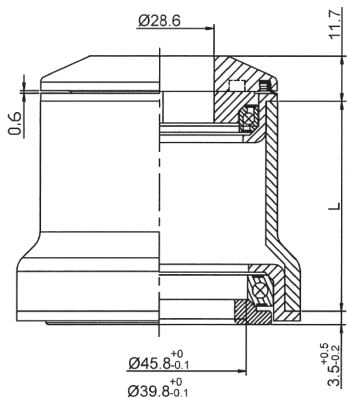
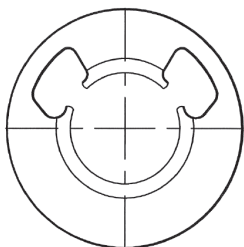
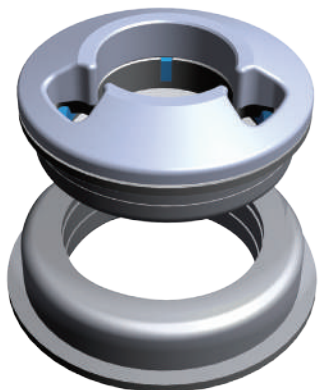
STACK HIGHT =
 $11.7 + 3 = 14.7 \pm 0.5$

NO.	零件名稱 ITEM NAME	零件料號 ITEM NO.	材質 MATERIAL	數量 QTY
1	1 1/8" 鋁上蓋 (穿線) / TOP COVER	H1929	AL6061	1PCS
*2	防水圈 / SEAL	A301	Rubber	1PCS
*3	束環 (穿線) / COMPRESSION RING	H2880	AL6061	1PCS
4	軸承 (52X42X45° X7) / SEALED BEARING	R457B	SUJ-2	2PCS
5	56 鋁軸承下碗 / LOWER CUP	H5527	AL6061	1PCS
*6	防水圈 / SEAL	A277	Rubber	2PCS
7	鋁下塞 / CROWN RACE	-	AL7075	1PCS





INTERNAL CABLE ROUTING SYSTEM HEADSET



Stack Hight= $11.7+3.5=15.2\pm 0.5$

PT-F18KC

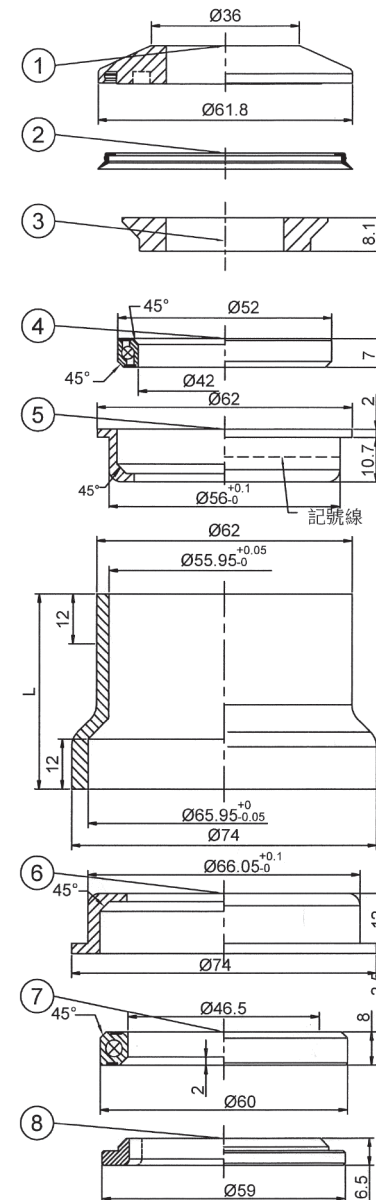
ZS56/28.6 | ZS66/45.8

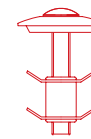
For Semi-Integration cable routing system
 Internal Headset 28.6*56*66*45.8
 For 1 1/8" - 1.8" tapered fork

Height: 11.7+3.5=15.2mm
 Bearings: sealed AC bearings R457B / R458B
 Material: Alloy 6061 & 7075 crown race
 Finish: Anodized
 F18KC-2 for 1.5" crown race $\varnothing 39.8$

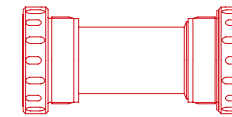
型號 MODEL NO.	零件料號 Item No.	ØD	+0 -0.1
PT-F18KC-1	H6432	$\varnothing 45.8$	+0 -0.1
PT-F18KC-2	611-H6432	$\varnothing 39.8$	+0 -0.1

NO.	零件名稱 ITME NAME	零件料號 ITEM NO.	材質 MATERIAL	數量 QTY
1	1 1/8" 鋁上蓋 (穿線) / TOP COVER	H1929	AL6061	1PCS
2	防水圈 / SEAL	A301	Rubber	1PCS
3	束環 (穿線) / COMPRESSION RING	H2880	AL6061	1PCS
4	軸承 (52x42x45° x7) / SEALED BEARING	R457B	SUJ2	1PCS
5	56 鋁軸承上碗 / UPPER CUP	H5527	AL6061	1PCS
6	66 鋁軸承下碗 / LOWER CUP	H5528	AL6061	1PCS
7	軸承 (60x46.5x8x45°) / SEALED BEARING	R458B	SUJ2	1PCS
8	鋁下塞 (剖溝) / CROWN RACE	-	AL7075	1PCS





ACCESSORIES



BOTTOM BRACKETS



HEADSET



PT-F18B

(1 1/8" - 1.8")

ZS56/28.6 | ZS66/45.8

Internal Headset 28.6*56*66*45.8

For 1 1/8" - 1.8" tapered fork

Height: 7.7+3.5=11.2mm

Bearings: sealed AC bearings

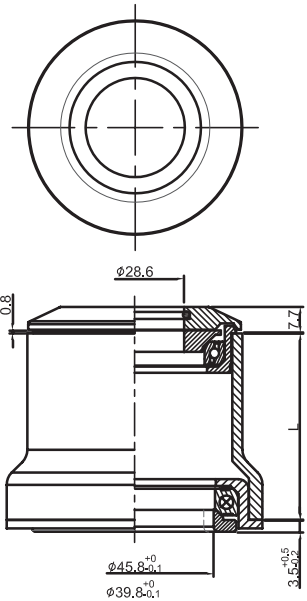
Material: Alloy 6061 & 7075 crown race

Finish: Anodized

F18B-1 for 1.8" crown race $\phi 45.8\text{mm}$

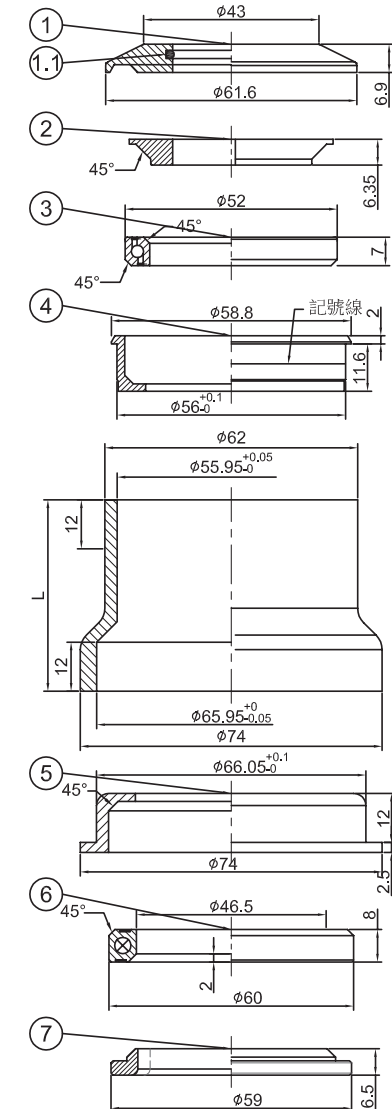
F18B-2 for 1.5" crown race $\phi 39.8\text{mm}$

型號 MODEL NO.	零件料號 Item No.	ØD	+0 -0.1
PT-F18B-1	H6432	$\phi 45.8$	+0 -0.1
PT-F18B-2	611-H6432	$\phi 39.8$	+0 -0.1



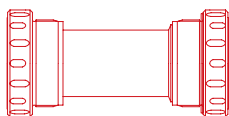
STACK HIGHT =
 $7.7 + 3.5 = 11.2 \pm 0.5$

NO.	零件名稱 ITEM NAME	零件料號 ITEM NO.	材質 MATERIAL	數量 QTY
*1	1 1/8" 鋁上蓋 / TOP COVER	H1918	AL6061	1PCS
1.1	O 型圈 / O-RING	A255	Rubber	1PCS
*2	1 1/8" 鋁束環 / COMPRESSION RING	H2870	AL6061	1PCS
3	軸承 / SEALED BEARING	R413B	SUJ2	1PCS
*4	56 鋁上碗 / UPPER CUP	H4516	AL6061	1PCS
*5	66 鋁軸承下碗 / LOWER CUP	H5528	AL6061	1PCS
*6	軸承 (60x46.5x8x45°) / SEALED BEARING	R458B	SUJ2	1PCS
*7	1/8" 鋁下塞 (不剖溝) / CROWN RACE	-	AL7075	1PCS

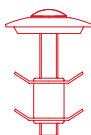




BOTTOM BRACKETS



ACCESSORIES



PT-1863D

IS52/28.6 | IS52/40

Integrated Headset

1 1/8" upper / 1.5 bottom tapered fork &

1.5" - 1.5" straight headtube

Ø28.6*52*52*39.8

Height: 10.8+1=11.8mm

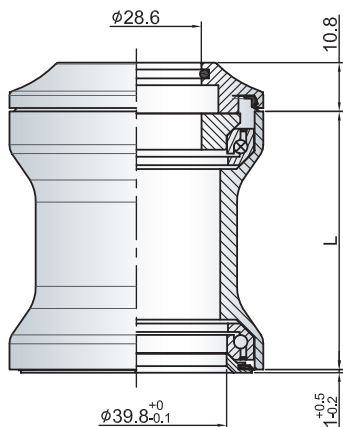
Weight: 111g

Bearings: Sealed AC bearings R425

Material: top cover 6061-T6 w/AL-7075 crown race

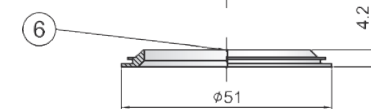
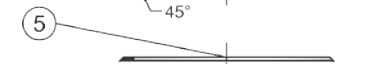
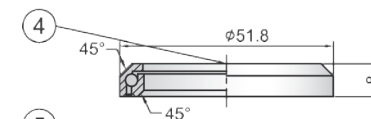
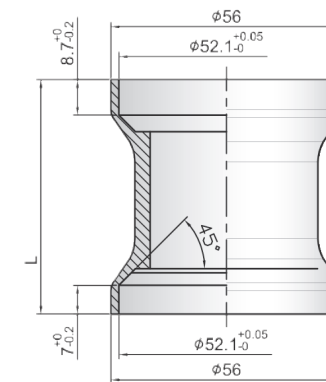
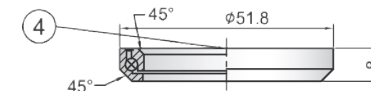
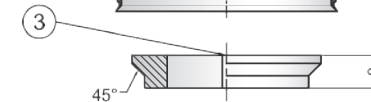
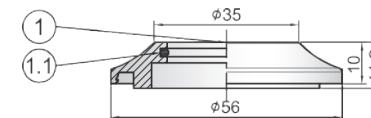
PT-1863D-(Headtube Bearing seat depth upper 8.7 Lower 7)1863DS-crown race ø30mm

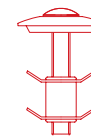
PT-1864D-(Headtube Bearing seat depth upper 8.3 Lower 8.3)1864DS-crown race ø30mm



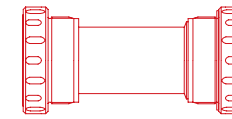
STACK HEIGHT =
10.8 + 1 = 11.8 ± 0.5

NO.	零件名稱 ITEM NAME	零件料號 ITEM NO.	材質 MATERIAL	數量 QTY
*1	1 1/8" 鋁上蓋 / TOP COVER	H1917	AL6061	1PCS
1.1	O 型圈 / O-RING	A255	Rubber	1PCS
2	防水圈 / SEAL	418-PRD01023-1	Rubber	1PCS
*3	束環 / COMPRESSION RING	H2866D	AL6061	1PCS
4	軸承 / SEALED BEARING	R425	SUJ2	2PCS
5	防水圈 / SEAL	A277	Rubber	1PCS
6	1.5" 鋁下塞 / CROWN RACE	608-H6413-1	AL7075	1PCS
7	馬口鐵 (出貨需附件) MICRO SPACER	WS0002	Tin	1PCS





ACCESSORIES



BOTTOM BRACKETS



HEADSET



PT-F16A

ZS56/28.6 | ZS56/40

1.5" Upper / 1.5" Bottom for tapered fork

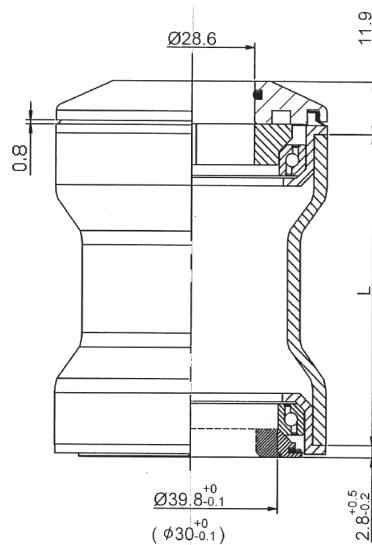
Ø28.6xID56xID56x39.8

Height: 11.9+2.8=14.7mm

Bearings: Sealed AC Bearings R413

Material: AL6061, W/AL7075 crown race

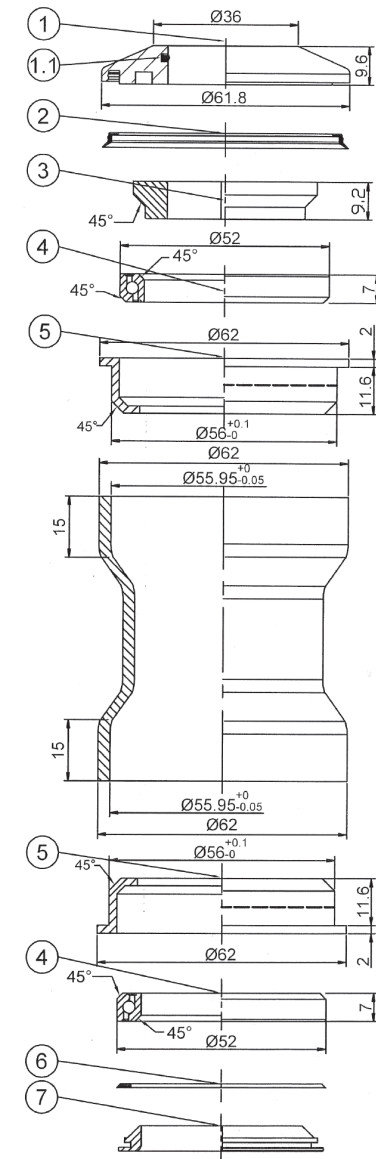
Finish: Anodized

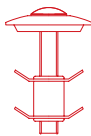
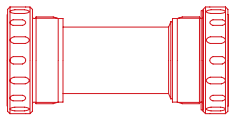


Stack Height=11.9+2.8=14.7±0.5

型號 MODEL NO.	零件料號 Item No.	ØD	+0 -0.1
⑦ PT-F16A-1	H6413-1	ø39.8	+0 -0.1
PT-F16A-2	H6417-1	ø30.0	+0 -0.1

NO.	零件名稱 ITEM NAME	零件料號 ITEM NO.	材質 MATERIAL	數量 QTY
1	1 1/8" 鋁上蓋 / TOP COVER	H1927	AL6061	1PCS
1.1	O 型圈 / O-RING	A255	Rubber	2PCS
2	防水圈 / SEAL	A301	Rubber	1PCS
3	1 1/8" 鋁束環 / COMPRESSION RING	H2885	AL6061	1PCS
4	軸承 / SEALED BEARING	R413	SUJ2	2PCS
5	56 鋁碗 / CUP	H5517-1	AL6061	2PCS
6	防水圈 / SEAL	A277	Rubber	1PCS
7	鋁下塞 / CROWN RACE	H6413-1	AL7075	1PCS





INTERNAL CABLE ROUTING SYSTEM HEADSET

F-16AB



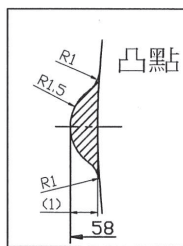
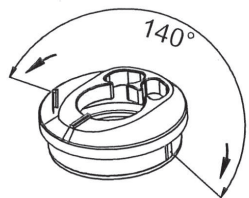
Precision Steering Components

ZS56/28.6 | ZS56/40

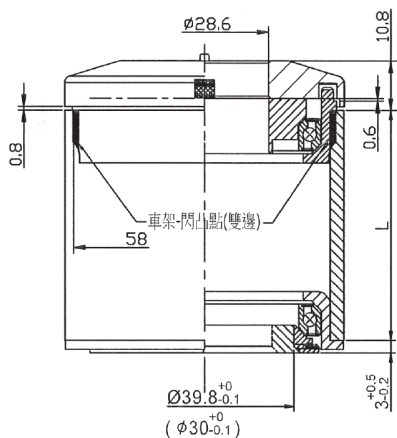
1.5" Upper / 1.5" Bottom for tapered fork
 Ø28.6xID56xID56x39.8
 Rotation angle 140°
 Alloy headset blocking Design top cover
 Height: 9.6+3=12.6mm
 Bearings: Sealed AC Bearings R457B
 Material: AL6061, W/AL7075 crown race
 Finish: Anodized

With ZOOM ICR stem

TDS-(R)D631-8FOV
 TDS-D632-8FOV
 TDS-C634-8FOV
 TDS-D636-8FOV
 TDS-D645-8FOV
 TDS-D658-8FOV
 TM-AL-20-8



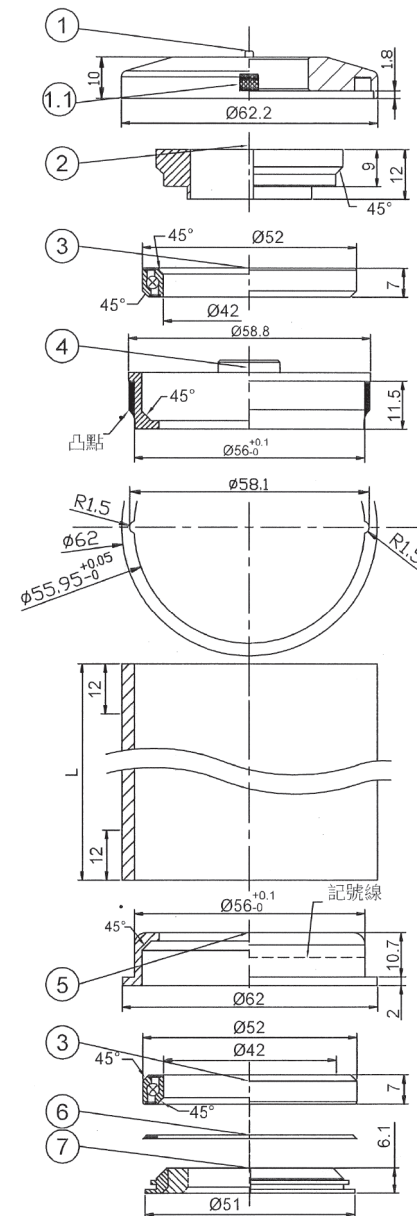
- ◎ Rotation angle 140°
- ◎ Alloy headset blocking design top cover

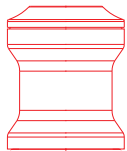
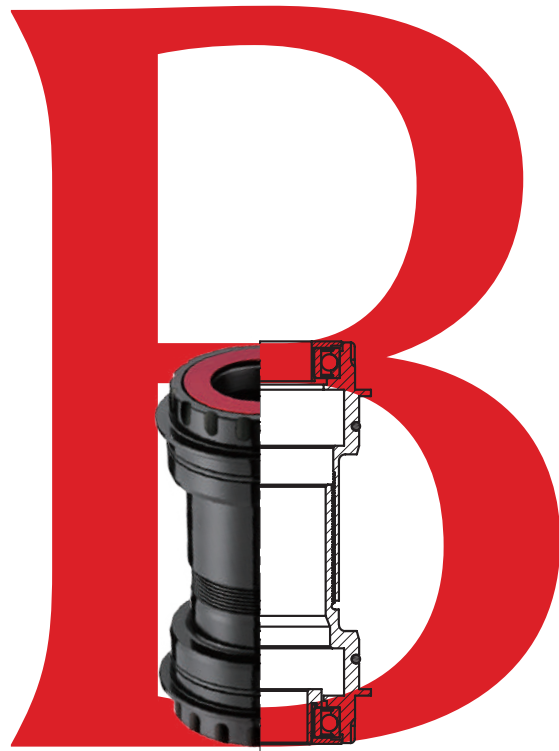


Stack Hight=10.8+3=13.8±0.5

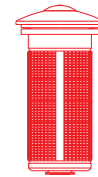
型號 MODEL NO.	零件料號 Item No.	ØD	+0 -0.1
PT-F16AB-1	H6430-1	ø39.8	+0 -0.1
PT-F16AB-2	H6430-1	ø30.0	+0 -0.1

NO.	零件名稱 ITME NAME	零件料號 ITEM NO.	材質 MATERIAL	數量 QTY
*1	1 1/8" 特殊上蓋 / TOP COVER	H1925	AL6061	1PCS
1.1	擋塞子 / PLUG	H8402	Rubber	2PCS
*2	束環 (穿線) 上 8.7 用 / COMPRESSION RING	H2877B	AL6061	1PCS
3	軸承 (52x42x45x7) / SEALED BEARING	R457B	SUJ-2	2PCS
*4	56 鋁軸承上碗 / UPPER CUP	H4628	AL6061	1PCS
*5	56 鋁軸承下碗 / LOWER CUP	H5527	AL6061	1PCS
*6	防水圈 / SEAL	A277	Rubber	1PCS
*7	1.5" 鋁下塞 / CROWN RACE	-	AL7075	1PCS

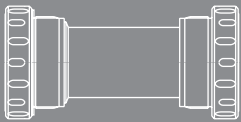




BOTTOM BRACKETS
YANTEC INDUSTRIES INC.



PRESTINE



ECENTRIC BB

Page	Item Number	Compatible with	Bearing No.	Bearing Type	BB Type	Spindle OD.
022	PT-6640	SHIMANO & SRAM	R414	Sealed cartridge bearing	BSA 1.37" x 24T 68/73 width PF30 frame	24/24 & 24/22mm

DUB BB SYSTEM FOR 29 SPINDEL

Page	Item Number	Compatible with	Bearing No.	Bearing Type	BB Type	Spindle OD.
023	PT-6623PS	SRAM DUB	R407	Sealed cartridge bearing	BB86 / 92 Pressfit	29
024	PT-6623PST	SRAM DUB	R407	Sealed cartridge bearing	BB86 / 92 Pressfit	29
025	PT-6637PS	SRAM DUB	R433	Sealed cartridge bearing	PF30 w68/73 ID:46mm	29
026	PT-6637PST	SRAM DUB	R433	Sealed cartridge bearing	PF30 w68/73 ID:46mm	29
027	PT-6632PS	SRAM DUB	R433	Sealed cartridge bearing	BB30 w68/73 ID:42mm	29
028	PT-6632PST	SRAM DUB	R433	Sealed cartridge bearing	BB30 w68/73 ID:42mm	29
029	PT-6635U	SRAM DUB	R433	Sealed cartridge bearing	BB386 w/86/92 ID:46mm	29
030	PT-6635UT	SRAM DUB	R433	Sealed cartridge bearing	BB386 w/86/92 ID:46mm	29
031	PT-6638PS	SRAM DUB	R433	Sealed cartridge bearing	BSA 1.37 x 24T 68/73	29

T47BB M47 x P1.0 THREADED

Page	Item Number	Compatible with	Bearing No.	Bearing Type	BB Type	Spindle OD.
032	PT-6639TS DUB	DUB Ø29 SRAM	R433	Sealed cartridge bearing	M47 x P1.0 w68/73mm	29/29mm
033	PT-6639S DUB	DUB Ø29 SRAM	R433	Sealed cartridge bearing	M47 x P1.0 w86/92mm	29/29mm
034	PT-6639T	SHIMANO	R451	Sealed cartridge bearing	M47 x P1.0 w68/73mm	24/24mm
035	PT-6642	PF30 / BB386 FSA	R433	Sealed cartridge bearing	M47 x P1.0 w86/92mm	30/30mm
036	PT-6639DT	SHIMANO	R414	Sealed cartridge bearing	M47 x P1.0 w86/92mm	24/24mm

PF30A24 / BB30A24 / BSABB30 / BB8630

Page	Item Number	Compatible with	Bearing No.	Bearing Type	BB Type	Spindle OD.
037	PT-6639A	PF30A24	R451	Sealed cartridge bearing	PF30A24 ID:46mm w73mm	24/24mm
038	PT-6639FB	PF30A24	R433	Sealed cartridge bearing	PF30A24 ID:46mm w73mm	30/30mm
039	PT-6637AD	PF30A24	R433	Sealed cartridge bearing	PF30A24 ID:46mm w73mm	29/29mm
040	PT-6632A	BB30A24	R451	Sealed cartridge bearing	PF30A24 ID:42mm w73mm	24/24mm
041	PT-6637F	BB right	R414	Sealed cartridge bearing	BB right ID 46mm w/79mm	24/24mm
042	PT-6637FT	BB right	R414	Sealed cartridge bearing	BB right ID 46mm w/79mm	24/24mm
043	PT-6637FD	BB right	R433	Sealed cartridge bearing	BB right ID 46mm w/79mm	29/29mm
044	PT-6637FDT	BB right	R433/R433A	Sealed cartridge bearing (Ceramic)	BB right ID 46mm w/79mm	29/29mm
045	PT-6637FB	BB right	R433	Sealed cartridge bearing	BB right ID 46mm w/79mm	30/30mm

BB386 / BB386 ADAPTER

Page	Item Number	Compatible with	Bearing No.	Bearing Type	BB Type	Spindle OD.
046	PT-6638D	BB386	R433	Sealed cartridge bearing	BB386 ID:46 w68/73/86.5mm	30mm
	PT-6638DCB	BB386	R433A	Ceramic bearing	BB386 ID:46 w68/73/86.5mm	30mm
047	PT-6624B	BB8630	R454	Double ball orbit bearing	PF86 frame BB386 crankset ID:41 w86.5mm	30mm
048	PT-6635T / PT-6635TCB	BB386	R433	Sealed cartridge bearing	BB386 ID:46 w68/73/86.5mm	30mm
049	PT-6635D / 6635DCB (Ceramic)	BB386	R433	Sealed cartridge bearing	BB386 ID:46 w68/73/86.5mm	30mm
050	PT-6635P	BB386	R433	Sealed cartridge bearing	BB386 ID:46 w68/73/86.5mm	30mm
051	PT-6635AT / 6635ATM (SRAM)	SHIMANO	R451	Sealed cartridge bearing	BB386 adapter ID:46 w86.5mm	24/24mm
052	PT-6635SL	SHIMANO	R414	Sealed cartridge bearing	BB386 adapter ID:46 w86.5mm	24/24mm
053	PT-6635SM	SRAM	R414	Sealed cartridge bearing	BB386 adapter ID:46 w86.5mm	24/22mm
054	PT-6635SA	CAMPY	R414	Sealed cartridge bearing	BB386 adapter ID:46 w86.5mm	25/25mm

PF30 / PF30 ADAPTER

Page	Item Number	Compatible with	Bearing No.	Bearing Type	BB Type	Spindle OD.
055	PT-6637A	SHIMANO	R433	Sealed cartridge bearing	PF30 ID:46mm w68/73mm	30/30mm
056	PT-6637	SHIMANO	R414	Sealed cartridge bearing	PF30 adapter ID:46mm w68/73mm	24/24mm
	PT-6637/PT-6637CB	SHIMANO	R414A	Ceramic bearing	PF30 adapter ID:46mm w68/73mm	24/24mm
057	PT-6637H	SHIMANO	R444	Sealed cartridge bearing	PF30 adapter ID:46mm w68/73mm	24/24mm
058	PT-6639	SHIMANO	R451	Sealed cartridge bearing	PF30 adapter ID:46mm w68/73mm	24/24mm
	PT-6639CB	SHIMANO	R451A	Ceramic bearing	PF30 adapter ID:46mm w68/73mm	24/24mm
059	PT-6637M	SRAM	R414	Sealed cartridge bearing	PF30 adapter ID:46mm w68/73mm	24/22mm
	PT-6637MCB	SRAM	R414A	Ceramic bearing	PF30 adapter ID:46mm w68/73mm	24/22mm
060	PT-6639M	SRAM	R414	Sealed cartridge bearing	PF30 adapter ID:46mm w68/73mm	24/22mm
	PT-6639MCB	SRAM	R414A	Ceramic bearing	PF30 adapter ID:46mm w68/73mm	24/22mm

BB30 ADAPTER

Page	Item Number	Compatible with	Bearing No.	Bearing Type	BB Type	Spindle OD.
061	PT-6632F	SHIMANO	R451	Sealed cartridge bearing	BB30 adapter ID:42mm w68/73mm	24/24mm
062	PT-6632D	SHIMANO	R414	Sealed cartridge bearing	BB30 adapter ID:42mm w68/73mm	24/24mm
063	PT-6632GM	SRAM	R451	Sealed cartridge bearing	BB30 adapter ID:42mm w68/73mm	24/22mm
064	PT-6632DM	SRAM	R414	Sealed cartridge bearing	BB30 adapter ID:42mm w68/73mm	24/22mm

BB86 / BB92

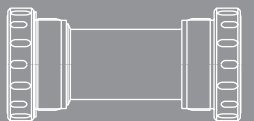
Page	Item Number	Compatible with	Bearing No.	Bearing Type	BB Type	Spindle OD.
065	PT-6624AT / 6624ATM (SRAM)	SHIMANO	R451	Sealed cartridge bearing	BB86/92 Pressfit for ROAD&MTB ID:41	24/24mm
066	PT-6624	SHIMANO	R414	Sealed cartridge bearing	BB86/92 Pressfit for ROAD&MTB	24/24mm
	PT-6623	SRAM	R414	Sealed cartridge bearing	BB86/92 Pressfit for ROAD&MTB	24/22mm
067	PT-6624D / PT-6623D	SHIMANO / SRAM	R414	Sealed cartridge bearing	BB86/92 Pressfit for ROAD&MTB	24/24mm
068	PT-6624P / PT-6623P	SHIMANO / SRAM	R414	Sealed cartridge bearing	BB86/92 Pressfit for ROAD&MTB	24/24mm

EXTERNAL BB

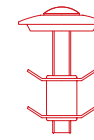
Page	Item Number	Compatible with	Bearing No.	Bearing Type	BB Type	Spindle OD.
069	PT-6628S	SHIMANO R60	R451	Sealed cartridge bearing	BSA 1.37" x 24T 68/73 for ROAD	24/24mm
070	PT-6629D	SHIMANO	R414	Sealed cartridge bearing	BSA 1.37" x 24T 68/73 for ROAD&MTB	24/24mm
071	PT-6630D	SRAM	R414	Sealed cartridge bearing	BSA 1.37" x 24T 68/73 for ROAD&MTB	24/22mm
072	PT-6628I	ITA 36mm x 24T	R414	Sealed cartridge bearing	ITA 36mm x 24T/70mm shell	24/24mm

SQUARE COTTERLESS BB

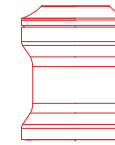
Page	Item Number	Compatible with	Bearing No.	Bearing Type	BB Type	Spindle OD.
073	PT-6621A		R403	Sealed cartridge bearing	BSA 1.37 x 24T w68mm	
074	PT-6621		R403	Sealed cartridge bearing	BSA 1.37 x 24T w68mm	
075	PT-6622		R403	Sealed cartridge bearing	Threadless BB	



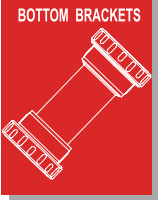
ECCENTRIC BB



ACCESSORIES



HEADSET



BOTTOM BRACKETS

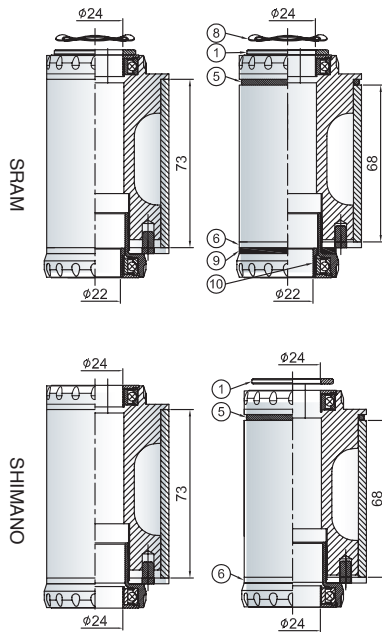


PT-6640

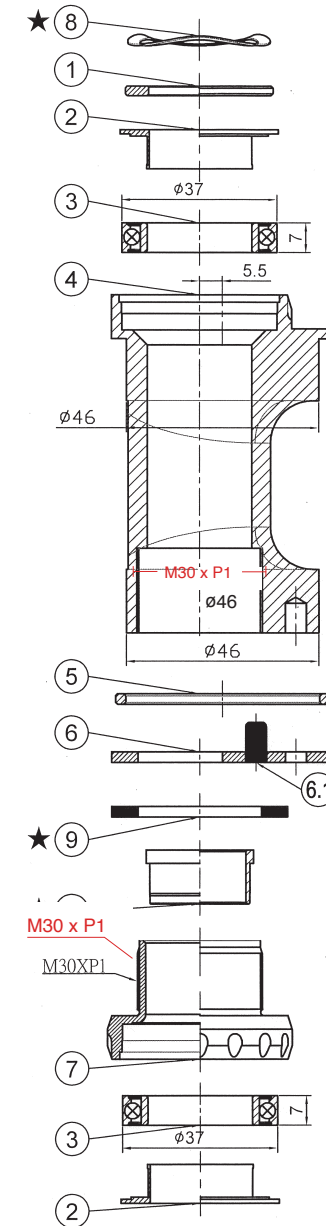
Eccentric BB/offset 5.5mm
Full set CNC machined alloy

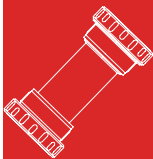
Weight: 247g
Bearings: Sealed cartridge bearings
bb width 68/73 & PF 46mm frame for
Sram & Shimano cranksets anodized
color

型號 MODEL NO.	零件料號 Item No.	材質 MATERIAL
PT-6640	R414	SUJ2
PT-6640CB	R414A	Ceramic

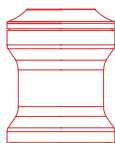


適用系統 SYSTEM	NO.	零件名稱 ITEM NAME	零件料號 ITEM NO.	材質 MATERIAL	數量 QTY	
SHIMANO	1	鋁墊圈 (ø35* ø24* 2.3) / SPACER	B620	AL6061	1PCS	
	2	防水圈 / SEAL	A266	Nylon	2PCS	
	3	6805 培林 / BEARING	-	-	2PCS	
	4	6640 偏心右碗 / BEARING	B265	AL6061	1PCS	
	5	鋁墊圈 (ø51* ø46.2* 2.5) / SPACER	B632	AL6061	1PCS	
	6	偏心墊圈 / SPACER	B648	AL6061	1PCS	
	6.1	固定銷 -Pin / PIN	H7601	AL6061	2PCS	
	7	6640 偏心左碗 / BEARING	B264	AL6061	1PCS	
	-	8	彈簧墊片 / SPRING WASHER	H2212	K7	1PCS
	-	9	鋁墊圈 (ø42* ø30.3* 2.5) / SPACER	B647	AL6061	1PCS
-	10	6640 鋁襯套 / BUSHING	B651	AL7075	1PCS	
附 BB 說明書			B-36	-	1PCS	

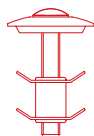




HEADSET



ACCESSORIES



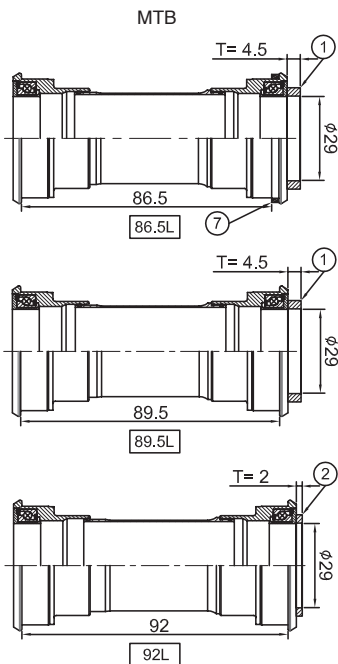
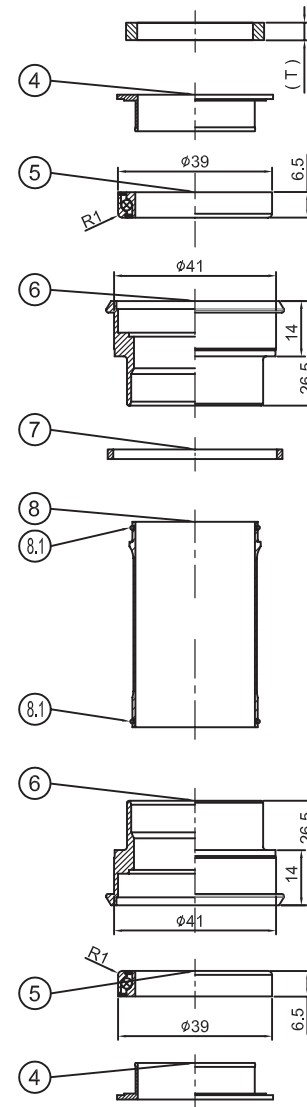
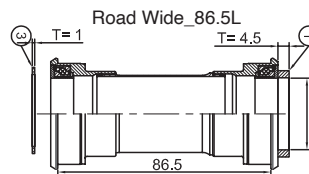
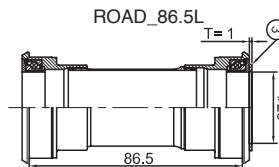
DUB BB SYSTEM FOR 29 SPINDEL

PT-6623PS



For SRAM DUB BB86/BB92
 PF BB86/BB92 frame
 Forged alloy & CNC machined cups
 Alloy shell w/double o ring seals

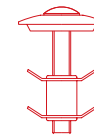
2 pcs Sealed cartridge bearings
 Anodized color available
 DUB bb system for 28.99mm spindle
 Weight:86g



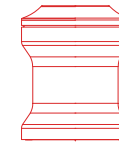
型號 MODEL NO.	零件料號 Item No.	材質 Material
PT-6623PS	R407	SUJ2
PT-6623PSCB	R407A	Ceramic

NO.	零件名稱 ITEM NAME	零件料號 ITEM NO.	材質 MATERIAL	數量 QTY
1	鋁墊圈 (ø35xø29.1x4.5) / SPACER	B650	AL6061	1PCS
2	鋁墊圈 (ø35xø29.1x2) / SPACER	B653	AL6061	1PCS
*3	鋁墊圈 (ø35xø29.1x1.0) / SPACER	B650-010	AL6061	1PCS
4	29 尼龍襯套 / BUSHING	B661	Nylon	2PCS
5	軸承 (ø39x6.5) / BEARING	-	-	2PCS
6	6623PS 鋁碗 / CUP	B278	AL6061	2PCS
7	44 鋁墊圈 / SPACER	B613	AL6061	1PCS
*8	6638 中管 / SHELL	B584	AL6061	1PCS
8.1	O 型圈 / O-RING	A297	Rubber	2PCS
	附 BB 說明書	B-42W	-	1PCS

DUB BB SYSTEM FOR 29 SPINDEL

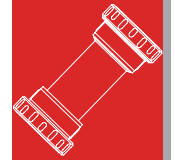


ACCESSORIES



HEADSET

BOTTOM BRACKETS



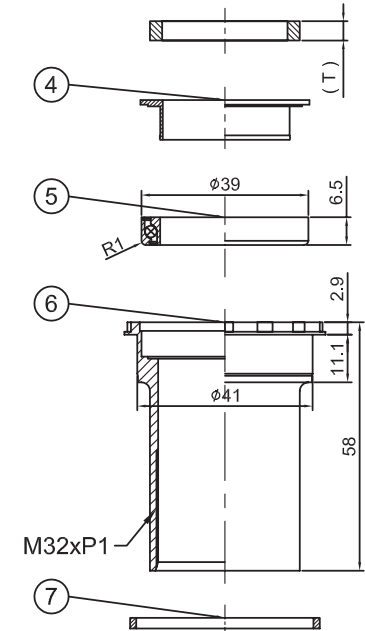
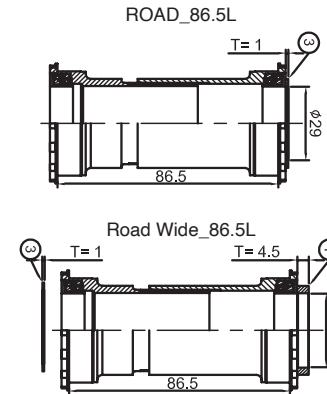
PT-6623PST



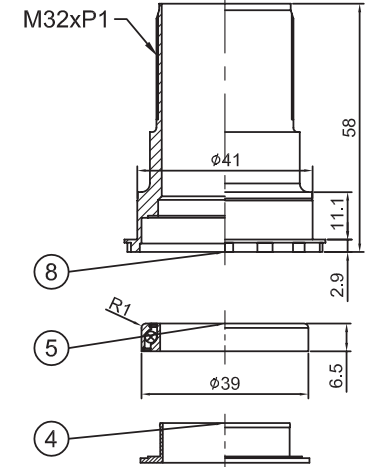
For SRAM DUB BB86/BB92
PF BB86/BB92 frame
Forged alloy & CNC machined cups
2 pcs Sealed cartridge bearings

Anodized color available
DUB bb system for 28.99mm spindle
L/R cups w/thread locking on design
Weight:115g

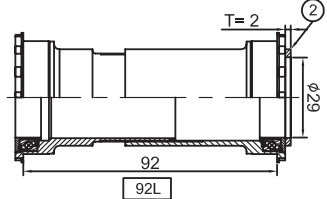
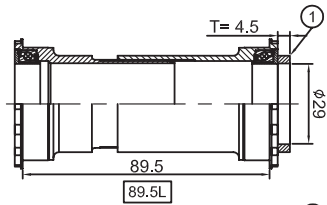
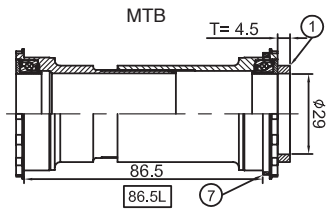
型號 MODEL NO.	零件料號 Item No.	材質 Material
PT-6623PST	R407	SUJ2
PT-6623PSTCB	R407A	Ceramic



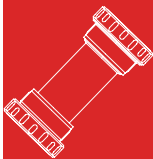
M32xP1



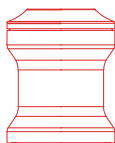
M32xP1



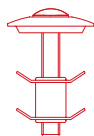
NO.	零件名稱 ITEM NAME	零件料號 ITEM NO.	材質 MATERIAL	數量 QTY
1	鋁墊圈 (ø35xø29.1x4.5) / SPACER	B650	AL6061	1PCS
2	鋁墊圈 (ø35xø29.1x2) / SPACER	B653	AL6061	1PCS
*3	鋁墊圈 (ø35xø29.1x1.0) / SPACER	B650-010	AL6061	1PCS
4	29 尼龍襯套 / BUSHING	B661	Nylon	2PCS
5	軸承 (ø39x6.5) / BEARING	-	-	2PCS
6	6623PST 右碗 / CUP	B285R	AL6061	1PCS
7	44 鋁墊圈 / SPACER	B613	AL6061	1PCS
8	6623PST 左碗 / CUP	B285L	AL6061	1PCS
	附 BB 說明書	B-56W	-	1PCS



HEADSET



ACCESSORIES



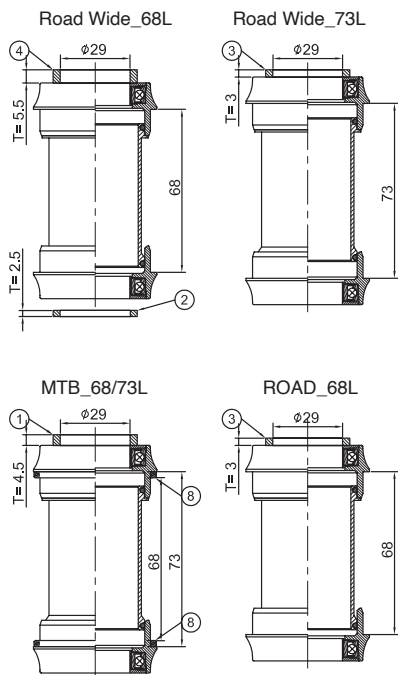
DUB BB SYSTEM FOR 29 SPINDEL



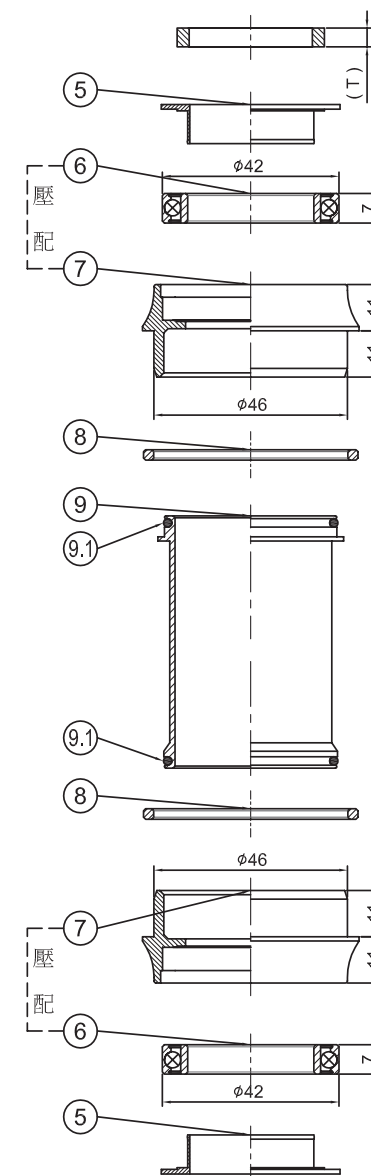
PT-6637PS

For SRAM DUB BB/PF30 compatible PF30 frame w68/73 ID 46mm
 Forged alloy & CNC machined cups alloy shell w/double o ring seal
 Anodized color available
 DUB bb system for 28.99mm spindle

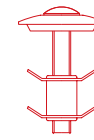
型號 MODEL NO.	零件料號 Item No.	材質 Material
PT-6637PS	R433	SUJ2
PT-6637PSCB	R433A	Ceramic



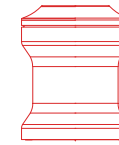
NO.	零件名稱 ITEM NAME	零件料號 ITEM NO.	材質 MATERIAL	數量 QTY
1	鋁墊圈 (ø35xø29.1x4.5) / SPACER	B650	AL6061	1PCS
*2	鋁墊圈 (ø35xø29.1x2.5) / SPACER	B650-025	AL6061	1PCS
*3	鋁墊圈 (ø35xø29.1x3.0) / SPACER	B650-030	AL6061	1PCS
*4	鋁墊圈 (ø35xø29.1x5.5) / SPACER	B650-055	AL6061	1PCS
*5	29 尼龍襯套 / BUSHING	B659	NYLON	2PCS
6	6806 培林 / BEARING	-	-	2PCS
7	6637PS 碗 / CUP	B277	AL6061	2PCS
8	鋁墊圈 (ø51xø46.2x2.5) / SPACER	B632	AL6061	2PCS
9	6637 鋁中管 / SHELL	B579	AL6061	1PCS
9.1	O 型圈 / O-RING	A284	Rubber	2PCS
	附 BB 說明書	B-40W	-	1PCS



DUB BB SYSTEM FOR 29 SPINDEL

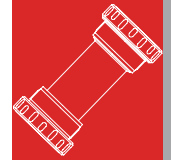


ACCESSORIES



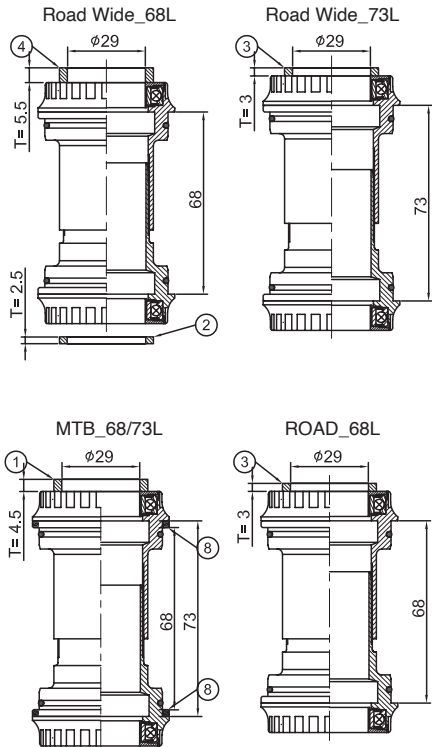
HEADSET

BOTTOM BRACKETS



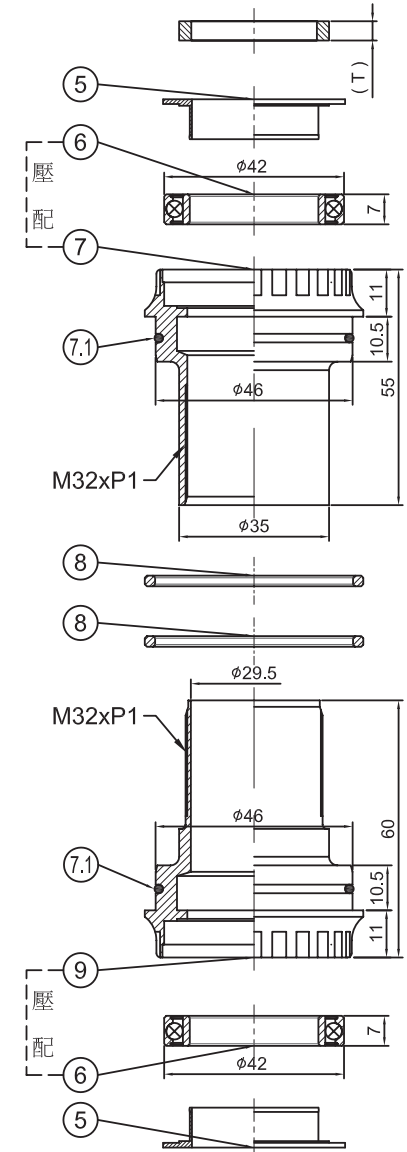
PT-6637PST

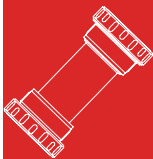
For SRAM DUB BB/PF30 compatible PF30 frame 68/73 ID 46mm
 Forged alloy & CNC machined cups alloy shell w/double o ring seal
 Anodized color available
 DUB bb system for 28.99mm spindle
 L/R cups w/threaded locking on design
 Weight:155g



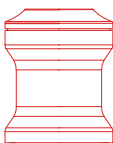
型號 MODEL NO.	零件料號 Item No.	材質 Material
PT-6637PST	R433	SUJ2
PT-6637PSTCB	R433A	Ceramic

NO.	零件名稱 ITEM NAME	零件料號 ITEM NO.	材質 MATERIAL	數量 QTY
1	鋁墊圈 (ø35xø29.1x4.5) / SPACER	B650	AL6061	1PCS
*2	鋁墊圈 (ø35xø29.1x2.5) / SPACER	B650-025	AL6061	1PCS
*3	鋁墊圈 (ø35xø29.1x3.0) / SPACER	B650-030	AL6061	1PCS
*4	鋁墊圈 (ø35xø29.1x5.5) / SPACER	B650-055	AL6061	1PCS
*5	29 尼龍襯套 / BUSHING	B659	NYLON	2PCS
6	6806 培林 / BEARING	-	-	2PCS
*7	6637PST 右碗 / CUP	B284R	AL6061	1PCS
7.1	O 型圈 / O-RING	A284	Rubber	2PCS
8	鋁墊圈 (ø51xø46.2x2.5) / SPACER	B632	AL6061	2PCS
*9	6637PST 左碗 / CUP	B284L	AL6061	1PCS
	附 BB 說明書	B-55W	-	1PCS

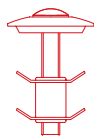




HEADSET



ACCESSORIES



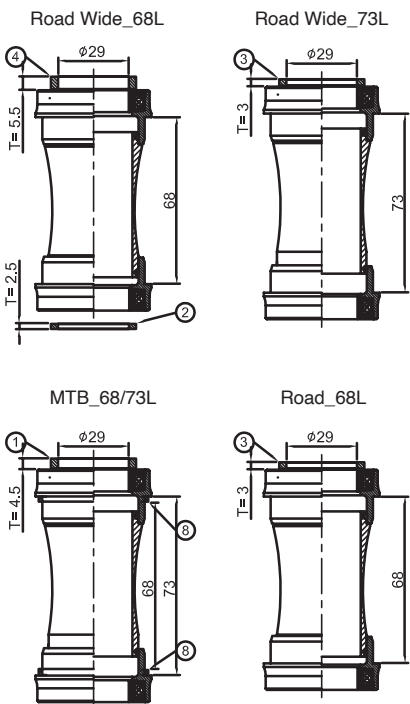
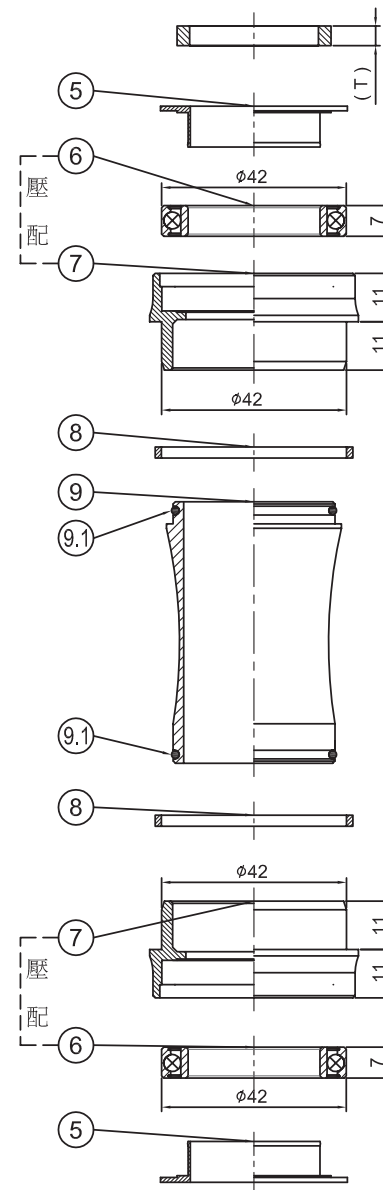
DUB BB SYSTEM FOR 29 SPINDEL



PT-6632PS

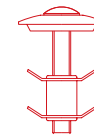
For SRAM DUB BB/BB30 compatible BB 30 frame 68/73 ID 42mm
 Forged alloy & CNC machined cups alloy shell w/double o-ring seal
 Anodized color available
 DUB bb system for 28.99mm spindle

型號 MODEL NO.	零件料號 Item No.	材質 Material
PT-6632PS	R433	SUJ2
PT-6632PSCB	R433A	Ceramic

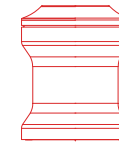


NO.	零件名稱 ITME NAME	零件料號 ITEM NO.	材質 MATERIAL	數量 QTY
1	鋁墊圈 (ø35xø29.1x4.5) / SPACER	B650	AL6061	1PCS
*2	鋁墊圈 (ø35xø29.1x2.5) / SPACER	B650-025	AL6061	1PCS
*3	鋁墊圈 (ø35xø29.1x3.0) / SPACER	B650-030	AL6061	1PCS
*4	鋁墊圈 (ø35xø29.1x5.5) / SPACER	B650-055	AL6061	1PCS
5	29 尼龍襯套 / BUSHING	B659	Nylon	2PCS
6	6806 培林 / BEARING	-	-	2PCS
*7	6632PS 碗 / CUP	B276	AL6061	2PCS
8	42 鋁墊圈 / SPACER	B611	AL6061	2PCS
9	EX-5 中管 / SHELL	B572	AL6061	1PCS
9.1	O 型圈 / O-RING	A255	Rubber	2PCS
	附 BB 說明書	B-40W	-	1PCS

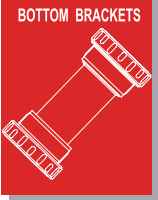
DUB BB SYSTEM FOR 29 SPINDEL



ACCESSORIES



HEADSET



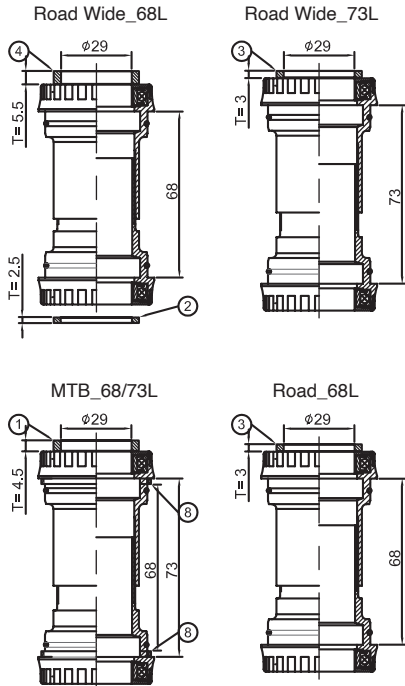
BOTTOM BRACKETS



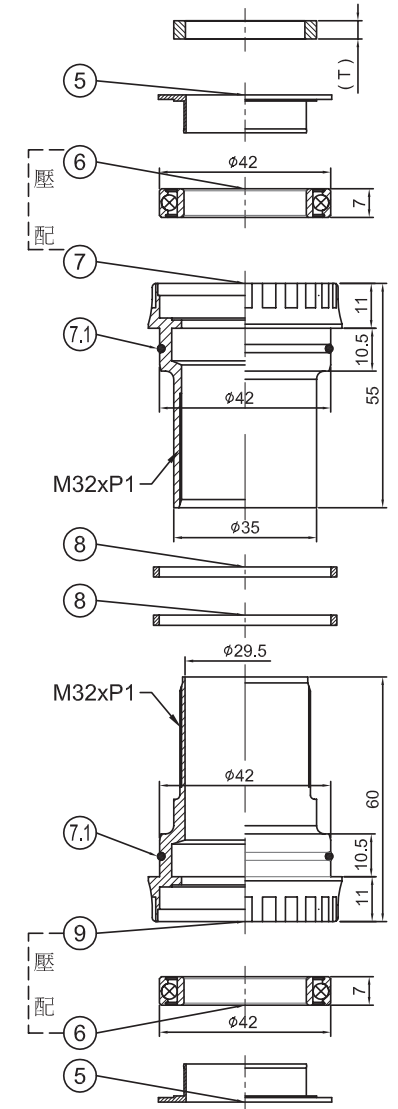
PT-6632PST

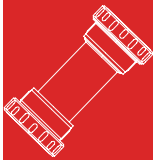
For SRAM DUB BB/BB30
compatible BB 30 frame 68/73 ID 42mm
Forged alloy & CNC machined cups alloy shell
w/double o-ring seal
weight:134g
Anodized color available
DUB bb system for 28.99mm spindle

型號 MODEL NO.	零件料號 Item No.	材質 Material
PT-6632PST	R433	SUJ2
PT-6632PSTCB	R433A	Ceramic

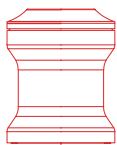


NO.	零件名稱 ITEM NAME	零件料號 ITEM NO.	材質 MATERIAL	數量 QTY
1	鋁墊圈 (ø35xø29.1x4.5) / SPACER	B650	AL6061	1PCS
*2	鋁墊圈 (ø35xø29.1x2.5) / SPACER	B650-025	AL6061	1PCS
*3	鋁墊圈 (ø35xø29.1x3.0) / SPACER	B650-030	AL6061	1PCS
*4	鋁墊圈 (ø35xø29.1x5.5) / SPACER	B650-055	AL6061	1PCS
*5	29 尼龍襯套 / BUSHING	B659	Nylon	2PCS
6	6806 培林 / BEARING	-	-	2PCS
*7	6632PST 右碗 / CUP	B283R	AL6061	1PCS
7.1	O 型圈 / O-RING	A255	Rubber	2PCS
8	42 鋁墊圈 / SPACER	B611	AL6061	2PCS
*9	6632PST 左碗 / CUP	B283L	AL6061	1PCS
	附 BB 說明書	B-55W	-	1PCS

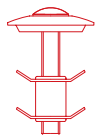




HEADSET



ACCESSORIES



DUB BB SYSTEM FOR 29 SPINDEL

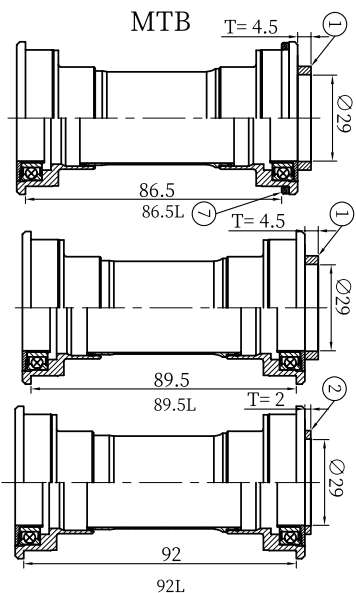
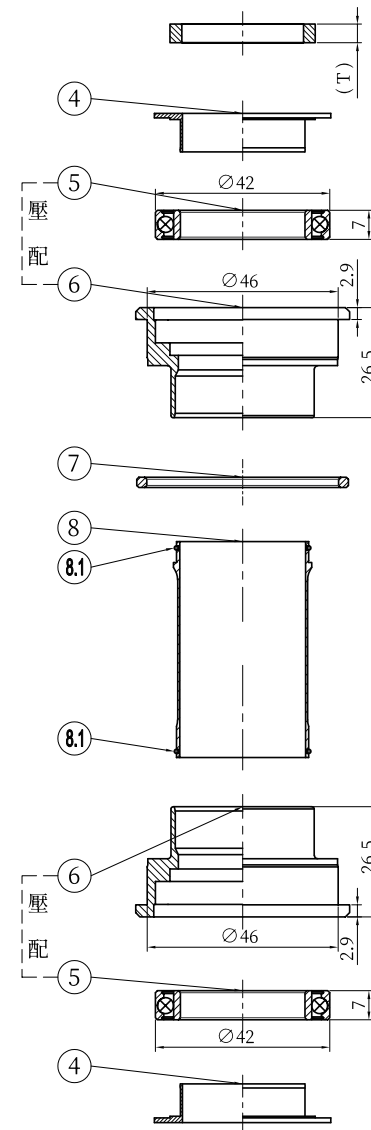
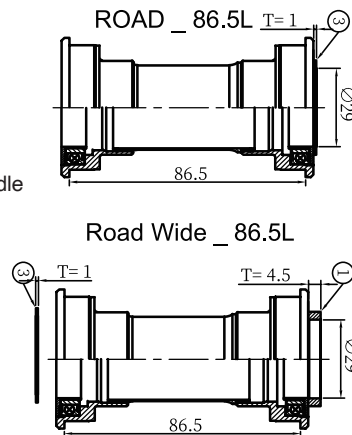


PT-6635U

For SRAM DUB BB386
 PF BB386 frame
 Forged alloy & CNC machined cups
 Alloy shell w/double o ring seals

2 pcs Sealed cartridge bearings
 Anodized color available
 DUB bb system for 28.99mm spindle

型號 MODEL NO.	零件料號 Item No.	材質 Material
PT-6635U	R433	SUJ2
PT-6635UCB	R433A	Ceramic

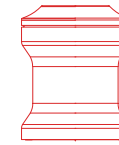


NO.	零件名稱 ITEM NAME	零件料號 ITEM NO.	材質 MATERIAL	數量 QTY
1	鋁墊圈 (ø35xø29.1x4.5) / SPACER	B650	AL6061	1PCS
2	鋁墊圈 (ø35xø29.1x2) / SPACER	B653	AL6061	1PCS
*3	鋁墊圈 (ø35xø29.1x1.0) / SPACER	B650-010	AL6061	1PCS
4	29 尼龍襯套 / BUSHING	B659	Nylon	2PCS
5	6806 培林 / BEARING	-	-	2PCS
6	6635U 鋁碗 / CUP	B290	AL6061	2PCS
7	鋁墊圈 (ø51xø46.2x2.5) / SPACER	B632	AL6061	1PCS
*8	6638 中管 / SHELL	B584	AL6061	1PCS
8.1	O 型圈 / O-RING	A297	Rubber	2PCS
	附 BB 說明書	B-42W	-	1PCS

DUB BB SYSTEM FOR 29 SPINDEL

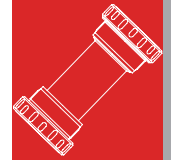


ACCESSORIES



HEADSET

BOTTOM BRACKETS

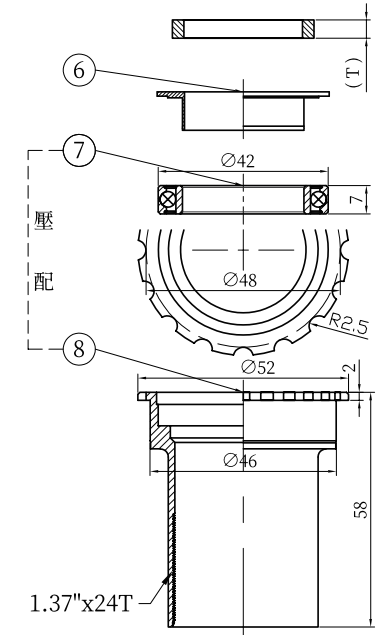
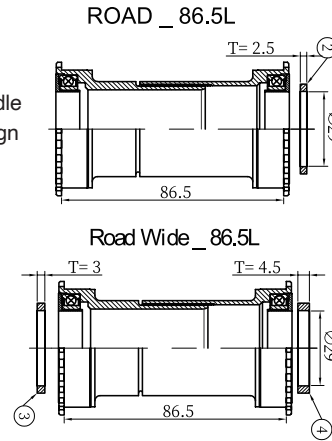
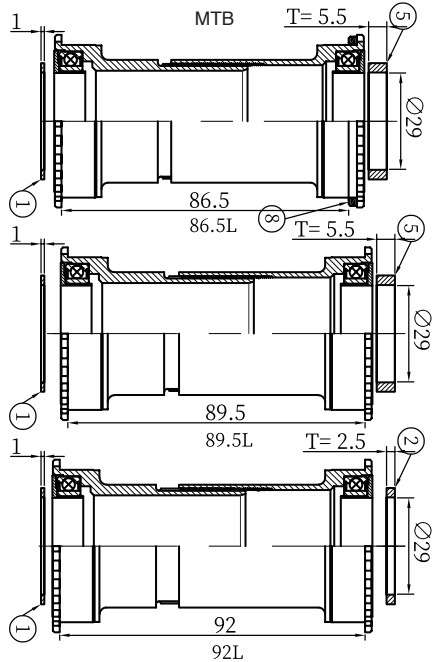


PT-6635UT

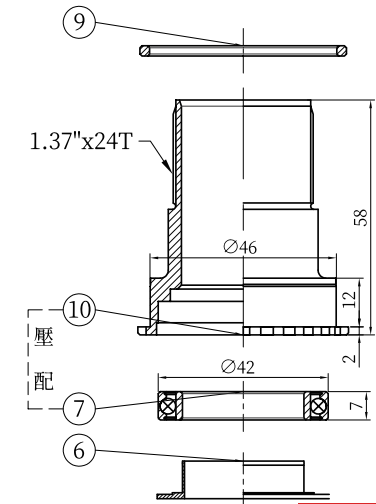
For SRAM DUB BB386
PF BB386 frame
Forged alloy & CNC machined cups
2 pcs Sealed cartridge bearings

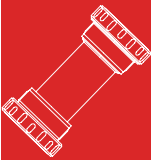
Anodized color available
DUB bb system for 28.99mm spindle
L/R cups w/thread locking on design

型號 MODEL NO.	零件料號 Item No.	材質 Material
PT-6635UT	R433	SUJ2
PT-6635UTCB	R433A	Ceramic

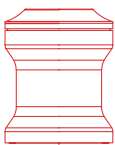


NO.	零件名稱 ITEM NAME	零件料號 ITEM NO.	材質 MATERIAL	數量 QTY
1	鋁墊圈 (ø35xø29.1x1.0) / SPACER	B650-010	AL6061	1PCS
2	鋁墊圈 (ø35xø29.1x2.5) / SPACER	B650-025	AL6061	1PCS
3	鋁墊圈 (ø35xø29.1x3.0) / SPACER	B650-030	AL6061	1PCS
4	鋁墊圈 (ø35xø29.1x4.5) / SPACER	B650	AL6061	1PCS
5	鋁墊圈 (ø35xø29.1x5.5) / SPACER	B650-055	AL6061	1PCS
6	29 尼龍襯套 / BUSHING	B659	Nylon	2PCS
7	6806 培林 / BEARING	-	-	2PCS
8	6623UT 右碗 / CUP	B290UT-R	AL6061	1PCS
9	鋁墊圈 (ø51xø46.2x2.5) / SPACER	B632	AL6061	1PCS
10	6623UT 左碗 / CUP	B290UT-L	AL6061	1PCS
	附 BB 說明書	B-66W	-	1PCS

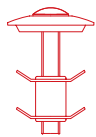




HEADSET



ACCESSORIES



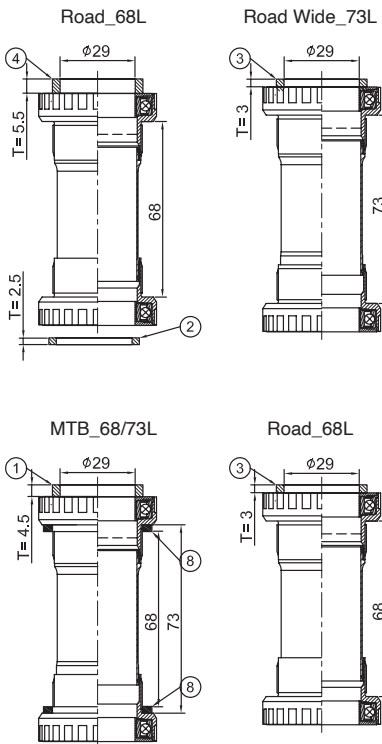
DUB BB SYSTEM FOR 29 SPINDEL



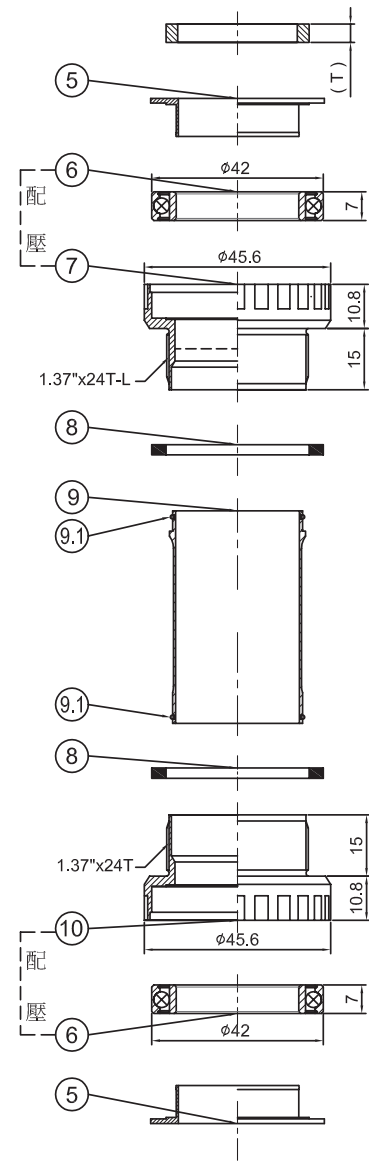
PT-6638PS

For SRAM DUB BB BSA compatible BSA 1.37" x 24T frame
 Forged alloy & CNC machined cups alloy shell w/double o ring seal
 Double sealed cartridge bearings
 Anodized color available
 DUB bb system for 28.99mm spindle
 Weight:107g

型號 MODEL NO.	零件料號 Item No.	材質 Material
PT-6638PS	R433	SUJ2
PT-6638PSCB	R433A	Ceramic



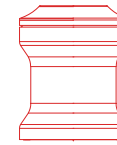
NO.	零件名稱 ITEM NAME	零件料號 ITEM NO.	材質 MATERIAL	數量 QTY
1	鋁墊圈 (ø35xø29.1x4.5) / SPACER	B650	AL6061	1PCS
*2	鋁墊圈 (ø35xø29.1x2.5) / SPACER	B650-025	AL6061	1PCS
*3	鋁墊圈 (ø35xø29.1x3.0) / SPACER	B650-030	AL6061	1PCS
*4	鋁墊圈 (ø35xø29.1x5.5) / SPACER	B650-055	AL6061	1PCS
5	29 尼龍襯套 / BUSHING	B659	NYLON	2PCS
6	6806 培林 / BEARING	-	-	2PCS
7	6638PS 反牙碗 / CUP	B274	AL6061	1PCS
8	鋁墊圈 / SPACER	B608	AL6061	2PCS
9	6638 中管 / SHELL	B584	AL6061	1PCS
9.1	O 型圈 / O-RING	A297	Rubber	2PCS
10	6638PS 正牙碗 / CUP	B275	AL6061	1PCS
	附 BB 說明書	B-37W	-	1PCS



T47BB M47 x P1.0 THREADED

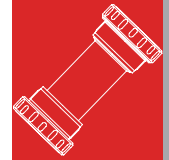


ACCESSORIES



HEADSET

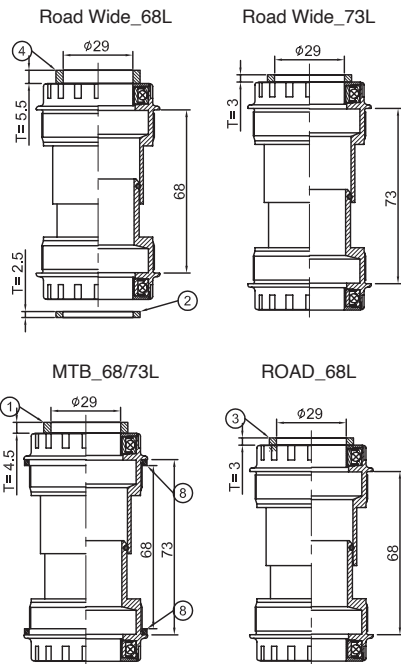
BOTTOM BRACKETS



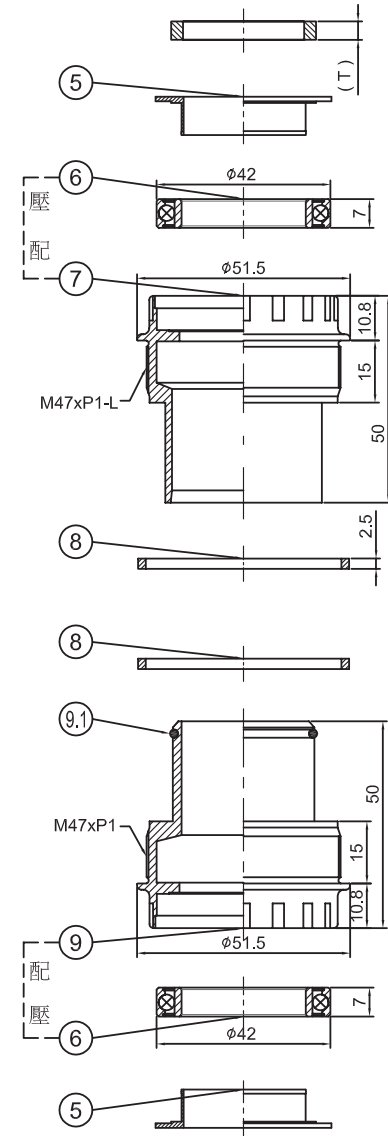
PT-6639TS DUB

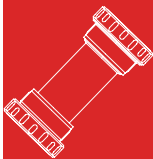
M47 x P1.0 threaded
T47 BB for DUB BB Ø29
Double sealed cartridge bearing
BB shell w68/73mm
Weight:157g
Full set CNC machined

型號 MODEL NO.	零件料號 Item No.	材質 Material
PT-6639TS	R433	SUJ2
PT-6639TSCB	R433A	Ceramic

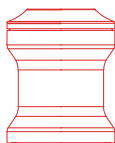


NO.	零件名稱 ITEM NAME	零件料號 ITEM NO.	材質 MATERIAL	數量 QTY
1	鋁墊圈 (ø35xø29.1x4.5) / SPACER	B650	AL6061	1PCS
*2	鋁墊圈 (ø35xø29.1x2.5) / SPACER	B650-025	AL6061	1PCS
*3	鋁墊圈 (ø35xø29.1x3.0) / SPACER	B650-030	AL6061	1PCS
*4	鋁墊圈 (ø35xø29.1x5.5) / SPACER	B650-055	AL6061	1PCS
5	29 尼龍襯套 / BUSHING	B659	NYLON	2PCS
6	培林 / BEARING	-	-	2PCS
*7	6639TS 反牙碗 / CUP	B272	AL6061	1PCS
*8	鋁墊圈 (ø50.3xø47.3x2.5) / SPACER	B660	AL6061	2PCS
*9	6639TS 正牙碗 / CUP	B273	AL6061	1PCS
9.1	O 型圈 / O-RING	A255	Rubber	1PCS
	附 BB 說明書	B-50W	-	1PCS

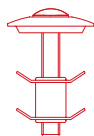




HEADSET



ACCESSORIES



T47BB M47 x P1.0 THREADED

PT-6639S DUB

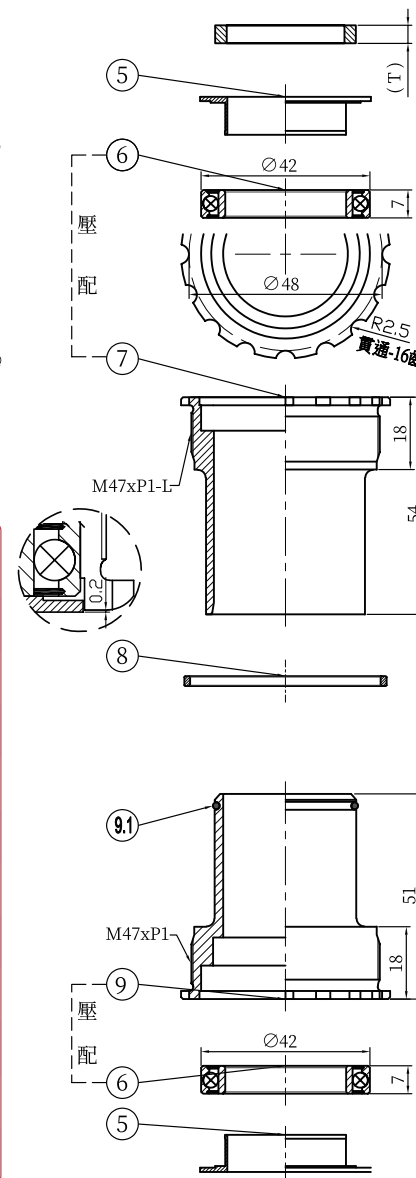
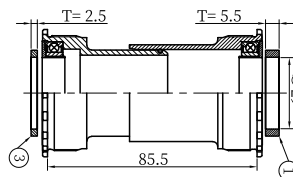
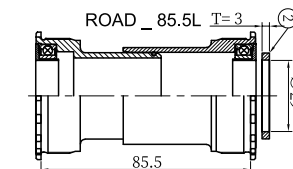
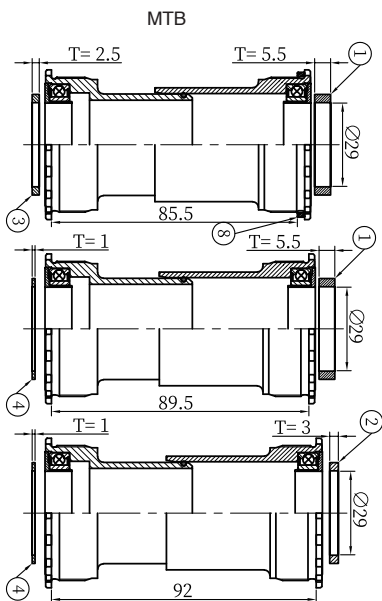


M47 x P1.0 threaded
T47 BB for SRAM DUB Ø29
Double sealed cartridge bearing
BB shell w86/89.5/92mm

Weight:152g
Full set CNC machined

型號 MODEL NO.	零件料號 Item No.	材質 Material
PT-6639S	R433	SUJ2
PT-6639SCB	R433A	Ceramic

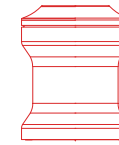
NO.	零件名稱 ITEM NAME	零件料號 ITEM NO.	材質 MATERIAL	數量 QTY
1	鋁墊圈 (ø35xø29.1x5.5) / SPACER	B650-055	AL6061	1PCS
2	鋁墊圈 (ø35xø29.1x3) / SPACER	B650-030	AL6061	1PCS
3	鋁墊圈 (ø35xø29.1x2.5) / SPACER	B650-025	AL6061	1PCS
4	鋁墊圈 (ø35xø29.1x1) / SPACER	B650-010	AL6061	1PCS
4	29 尼龍襯套 / BUSHING	B659	NYLON	2PCS
5	6806 培林 / BEARING	-	-	2PCS
*6	6639S 反牙碗 (M47xP1-L) / CUP	B270	AL6061	1PCS
7	鋁墊圈 (ø50.3xø47.3x2.5) / SPACER	B660	AL6061	1PCS
*8	6639S 正牙碗 (M47xP1) / CUP	B271	AL6061	1PCS
8.1	O 型圈 / O-RING	A255	Rubber	1PCS
	附 BB 說明書	B-49W	-	1PCS



T47BB M47 x P1.0 THREADED

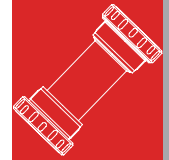


ACCESSORIES



HEADSET

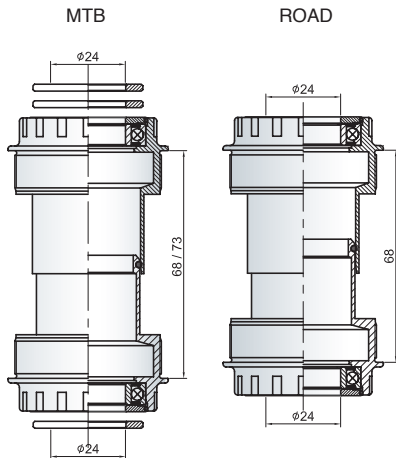
BOTTOM BRACKETS



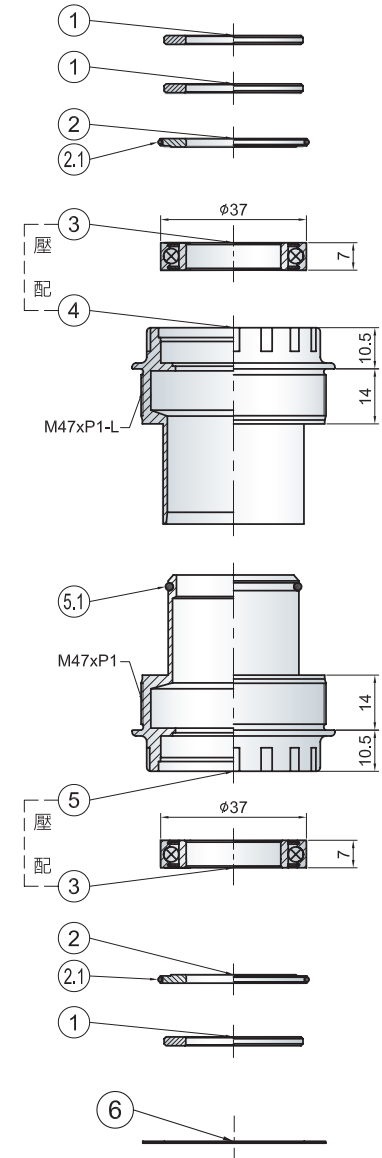
PT-6639T

T47 threaded BB for SHIMANO Ø24 spindle
M47 x P1.0 x BB
Double sealed cartridge bearings
BB shell w68/73mm

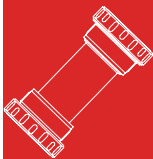
型號 MODEL NO.	零件料號 Item No.	材質 MATERIAL
PT-6639T	R451	SUJ2
PT-6639TCB	R451A	Ceramic



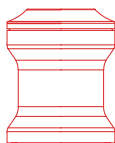
NO.	零件名稱 ITEM NAME	零件料號 ITEM NO.	材質 MATERIAL	數量 QTY
1	鋁墊圈 (Ø35*Ø24* 2.3) / SPACER	B620	AL6061	3PCS
2	鋁墊片 (Ø37.5* Ø24.05* 2.2) / SPACER	B637	AL6061	2PCS
2.1	O 型圈 / O-RING	A296	Rubber	2PCS
3	培林 / BEARING	-	-	2PCS
4	6639T 右碗 / CUP	B250	AL6061	1PCS
5	6639T 左碗 / CUP	B251	AL6061	1PCS
5.1	O 型圈 / O-RING	A255	Rubber	1PCS
6	(出貨必須附件) 華司 (Ø32* Ø24.5* 0.25) / WASHER	H2404	SUS430	3PCS
	附 BB 說明書	B-24	-	1PCS



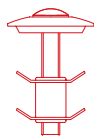
· H2404 華司, 不需組立,
出貨需附 3PCS



HEADSET



ACCESSORIES



T47BB M47 x P1.0 THREADED

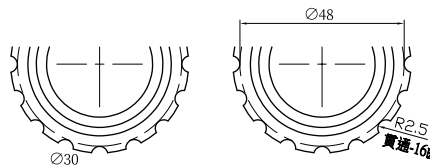


PT-6642

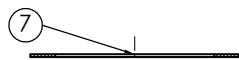


30 SPINDLE

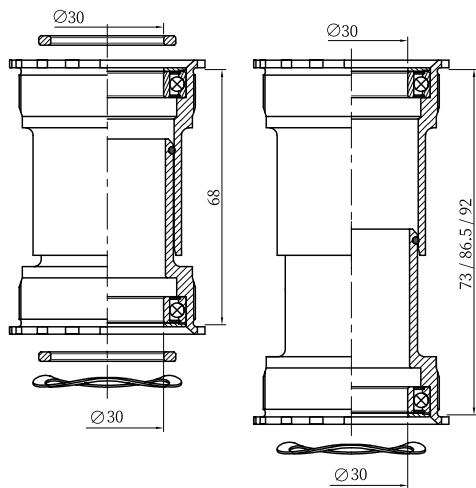
M47 x P1.0 threaded
T47 BB for Ø30 spindle crankset
sealed cartridge bearing
BB shell w86/89.5/92mm
Weight:156g



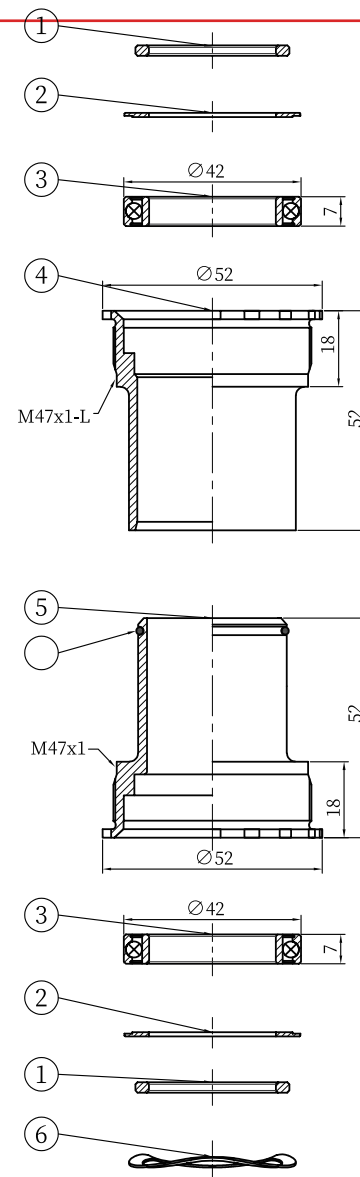
型號 MODEL NO.	零件料號 Item No.	材質 MATERIAL
PT-6642	R433	SUJ2
PT-6642CB	R433A	Ceramic



註:H2 305華司，不須組立，出貨須附3PCS



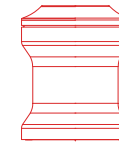
NO.	零件名稱 ITEM NAME	零件料號 ITEM NO.	材質 MATERIAL	數量 QTY
1	36.5x30x2.5 鋁華司 / WASHER	B622	AL6061	2PCS
2	鋁墊圈 (ø41.7xø30.1x1.0) / SPACER	B664	AL6061	2PCS
3	6806 培林 / BEARING	-	-	2PCS
4	6642 反牙碗 / CUP	B293	AL6061	1PCS
5	6642 正牙碗 / CUP	B292	AL6061	1PCS
5.1	O 型圈 / O-RING	A255	Rubber	1PCS
6	彈簧墊片 / SPRING WASHER	H2211	K7	1PCS
8	出貨必須附件 ※ 白鐵墊圈 / SPACER	H2305	SUS304	3PCS
	附 BB 說明書	B-52	-	1PCS



T47BB M47 x P1.0 THREADED

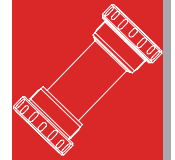


ACCESSORIES



HEADSET

BOTTOM BRACKETS

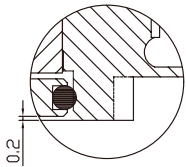


PT-6639DT



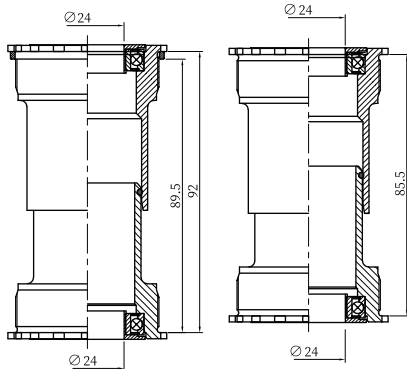
SHIMANO

M47 x P1.0 threaded
T47 BB for SHIMANO Ø24 crankset
sealed cartridge bearing
BB shell w86/89.5/92mm
Weight:167g
PT-6639DM-for SRAM,Ø24/22 spindle



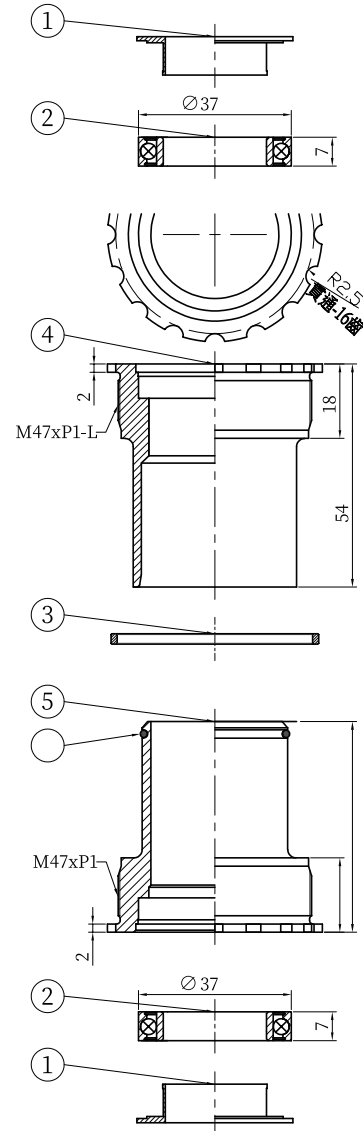
MTB

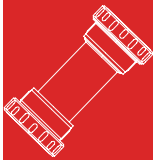
ROAD



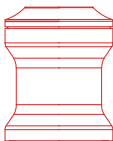
型號 MODEL NO.	零件料號 Item No.	材質 MATERIAL
PT-6639DT	R414	SUJ2
PT-6639DTCB	R414A	Ceramic

NO.	零件名稱 ITEM NAME	零件料號 ITEM NO.	材質 MATERIAL	數量 QTY
1	鋁墊片 (ø37.5xø24.05x2.2) / SPACER	B637	AL6061	2PCS
1.1	O 型圈 / O-RING	A296	Rubber	2PCS
2	培林 / BEARING	-	-	2PCS
*3	鋁墊片 (ø50.3xø47.3x2.5) / SPACER	B660	AL6061	1PCS
4	6639DT 反牙碗 / CUP	B279	AL6061	1PCS
5	6639DT 正牙碗 / CUP	B280	AL6061	1PCS
5.1	O 型圈 / O-RING	A255	Rubber	1PCS
	附 BB 說明書	B-51	-	1PCS

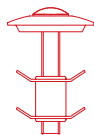




HEADSET



ACCESSORIES



PF30A24/BB30A24/BSABB30/BB8630



PT-6639A



FOR SHIMANO / PF30A24

PF30A BB for 24mm spindle L/R cup 46mm/shell, width 73mm

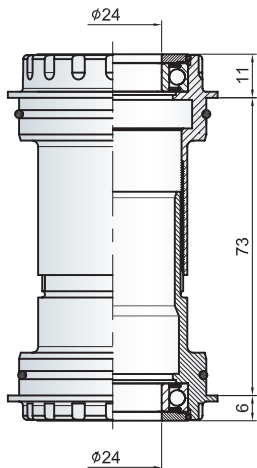
Double Sealed cartridge bearings

Compatible with Shimano groups

L/R cups w/thread lock on design

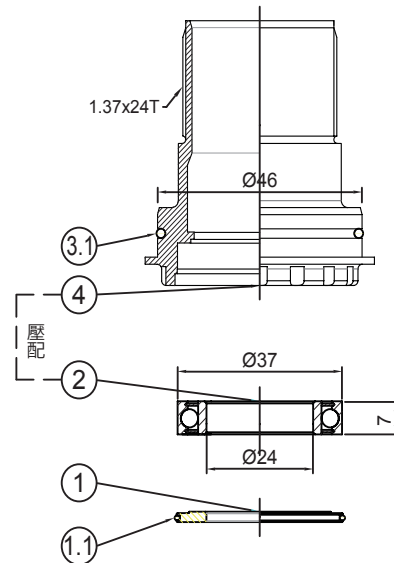
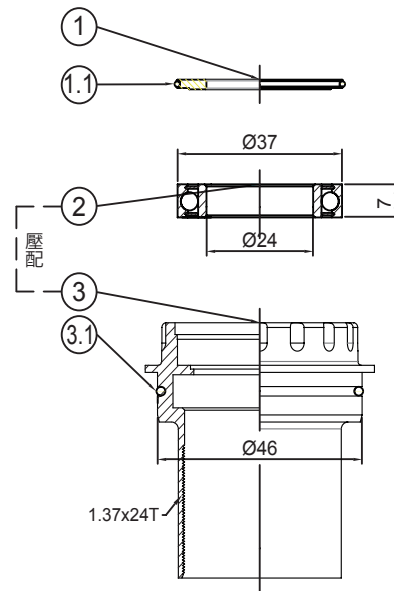
Weight: 149 g

Option: 6639AM compatible with SRAM groups.



型號 MODEL NO.	零件料號 Item No.	材質 MATERIAL
PT-6639A	R451	SUJ2
PT-6639ACB	R451A	Ceramic

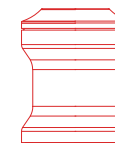
NO.	零件名稱 ITEM NAME	零件料號 ITEM NO.	材質 MATERIAL	數量 QTY
1	鋁墊片 / SPACER	B637	AL6061	2PCS
1.1	O 型圈 / O-RING	A296	Rubber	2PCS
2	培林 / BEARING	-	-	2PCS
3	6639 右碗 / CUP	B239	AL6061	1PCS
3.1	O 型圈 / O-RING	A284	Rubber	2PCS
4	6639A 左碗 / CUP	B240-1	AL6061	1PCS
5	華司 / WASHER	H2404	SUS430	3PCS
	附 BB 說明書	B-31	-	1PCS



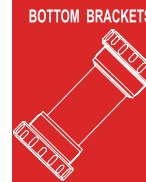
PF30A24/BB30A24/BSABB30/BB8630



ACCESSORIES



HEADSET



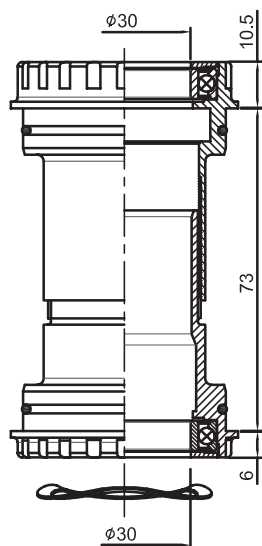
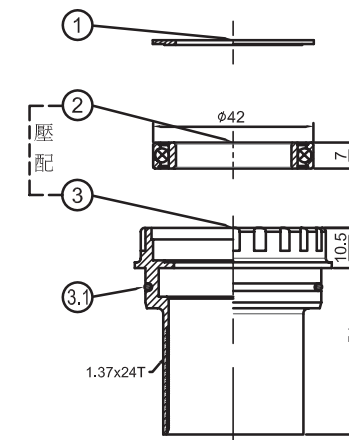
BOTTOM BRACKETS



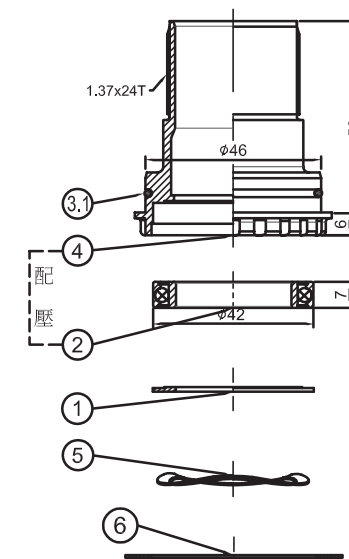
PT-6639FB

PF30A BB for 30mm spindle L/R cup 46mm,
shell width 73mm
Double Sealed cartridge bearings
L/R cups w/thread lock on design

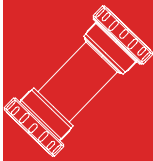
型號 MODEL NO.	零件料號 Item No.	材質 MATERIAL
PT-6637FB	R433	SUJ2
PT-6637FBCB	R433A	Ceramic



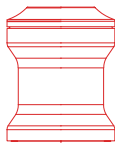
NO.	零件名稱 ITEM NAME	零件料號 ITEM NO.	材質 MATERIAL	數量 QTY
*1	鋁墊圈 (ø42.2xø30.1x1.5) / SPACER	B663	AL6061	2PCS
2	6806 培林 / BEARING	-	-	2PCS
3	6639FB 右碗 / CUP	B239-2	AL6061	1PCS
3.1	O 型圈 / O-RING	A284	Rubber	2PCS
4	6639FB 左碗 / CUP	B240-2	AL6061	1PCS
5	彈簧墊片 / SPRING WASHER	H2211	K7	1PCS
6	(出貨必須附件)※ 白鐵墊圈 (40x30x0.5) / SPACER	H2305	SUS304	2PCS



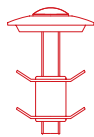
註:H2305華司，不須組立，出貨須附2PCS



HEADSET



ACCESSORIES



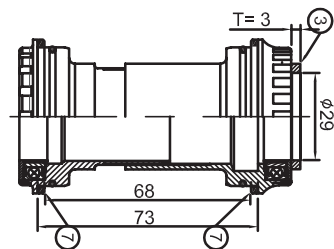
PF30A24/BB30A24/BSA8830/BB8630



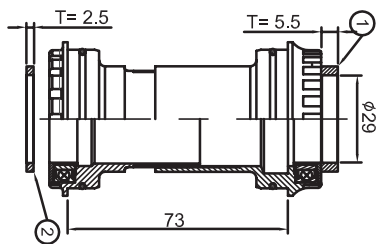
PT-6637AD

PF30A BB for 29mm spindle L/R cup 46mm/shell, width 73mm
 Double Sealed cartridge bearings
 Compatible with SRAM DUB groups
 L/R cups w/thread lock on design

型號 MODEL NO.	零件料號 Item No.	材質 Material
PT-6637AD	R433	SUJ2
PT-6637ADCB	R433A	Ceramic

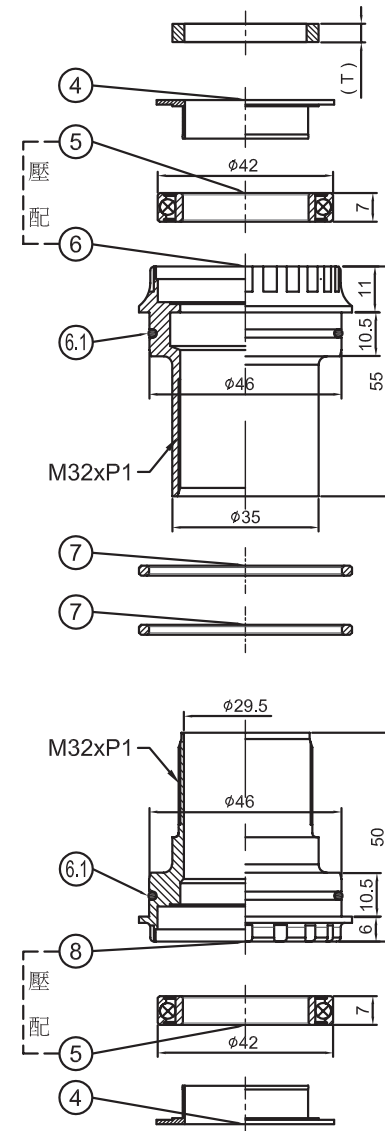


Road_68/73L



Road Wide_73L

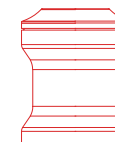
NO.	零件名稱 ITEM NAME	零件料號 ITEM NO.	材質 MATERIAL	數量 QTY
*1	鋁墊圈 (ø35xø29.1x5.5) / SPACER	B650-055	AL6061	1PCS
*2	鋁墊圈 (ø35xø29.1x2.5) / SPACER	B650-025	AL6061	1PCS
*3	鋁墊圈 (ø35xø29.1x3.0) / SPACER	B650-030	AL6061	1PCS
*4	29 尼龍襯套 / BUSHING	B659	Nylon	2PCS
5	6806 培林 / BEARING	-	-	2PCS
*6	6637PST 右碗 / CUP	B284R	AL6061	1PCS
6.1	O 型圈 / O-RING	A284	Rubber	2PCS
7	鋁墊圈 (ø51xø46.2x2.5) / SPACER	B632	AL6061	2PCS
*8	6637AD 左碗 / CUP	B287L	AL6061	1PCS
	附 BB 說明書	B-55	-	1PCS



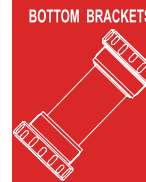
PF30A24/BB30A24/BSABB30/BB8630



ACCESSORIES



HEADSET



BOTTOM BRACKETS

PT-6632A



FOR SHIMANO

PT-6632AM



FOR SRAM



BB30A BB for 24mm spindle L/R 42mm OD & shell width 73mm

Double Sealed cartridge bearings

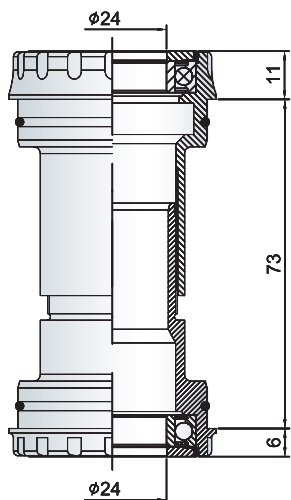
Compatible with Shimano groups

L/R cups w/threaded lock on design

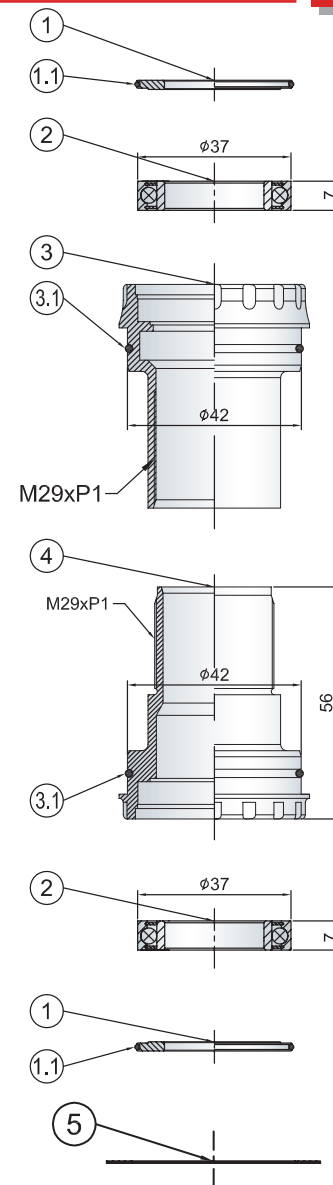
Weight: 133g

Option: 6632AM compatible with SRAM groups.

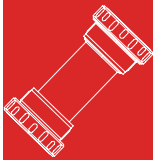
型號 MODEL NO.	零件料號 Item No.	材質 MATERIAL
PT-6632A	R451	SUJ2
PT-6632ACB	R451A	SUJ2



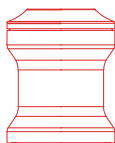
NO.	零件名稱 ITEM NAME	零件料號 ITEM NO.	材質 MATERIAL	數量 QTY
1	鋁墊片 / SPACER	B637	AL6061	2PCS
1.1	O 型圈 / O-RING	A296	Rubber	2PCS
2	培林 / BEARING	-	-	2PCS
3	6632F 右碗 / CUP-R	B247	AL6061	1PCS
3.1	O 型圈 / O-RING	A255	Rubber	2PCS
4	6632A 左碗 / CUP-L	B248-1	AL6061	1PCS
5	華司 / WASHER	H2404	SUS430	3PCS
	附 BB 說明書	B-31	-	1PCS



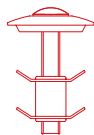
· H2404 華司，不需組立，出貨需附 3PCS



HEADSET



ACCESSORIES



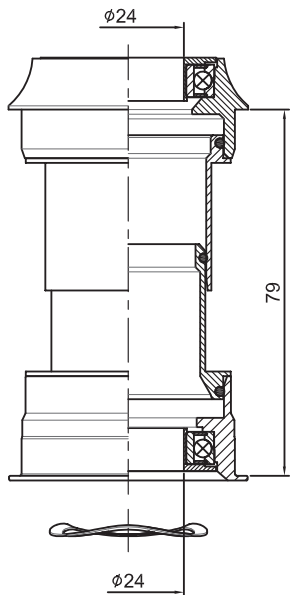
PF30A24/BB30A24/BSABB30/BB8630



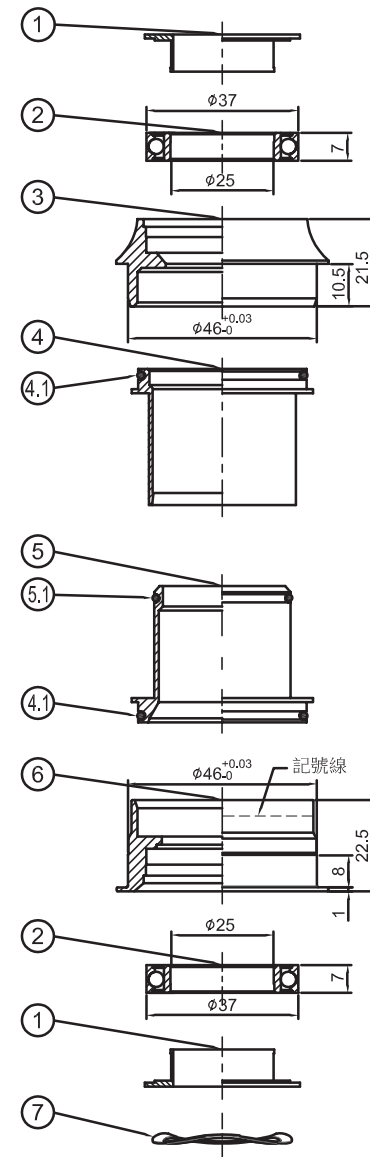
PT-6637F

BB right for 24mm spindle
L/R cups OD 46mm & shell width 79mm
Double Sealed cartridge bearings
Compatible with shimano groups

型號 MODEL NO.	零件料號 Item No.	材質 MATERIAL
PT-6637F	R414	SUJ2
PT-6637FCB	R414A	Ceramic



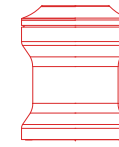
NO.	零件名稱 ITME NAME	零件料號 ITEM NO.	材質 MATERIAL	數量 QTY
1	防水圈 / SEAL	A266	NYLON	2PCS
2	培林 / BEARING	-	-	2PCS
3	6637 鋁碗 / UPPER CUP	B221	AL6061	1PCS
4	6637F 中管 (R) / SHELL	B582	AL6061	1PCS
4.1	O 型圈 / O-RING	A284	Rubber	2PCS
5	6637F 中管 (L) / SHELL	B583	AL6061	1PCS
5.1	O 型圈 / O-RING	A255	Rubber	1PCS
6	6637FM 鋁碗 / LOWER CUP	B252	AL6061	1PCS
7	彈簧墊片 / SPRING WASHER	H2212	K7	1PCS
	附 BB 說明書	B-18	-	1PCS



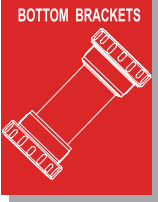
PF30A24/BB30A24/BSABB30/BB8630



ACCESSORIES



HEADSET

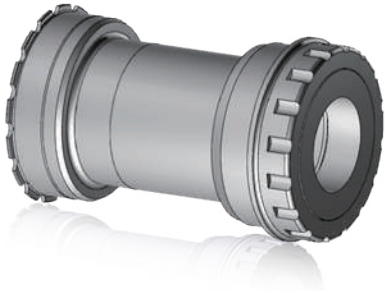


BOTTOM BRACKETS

PT-6637FT

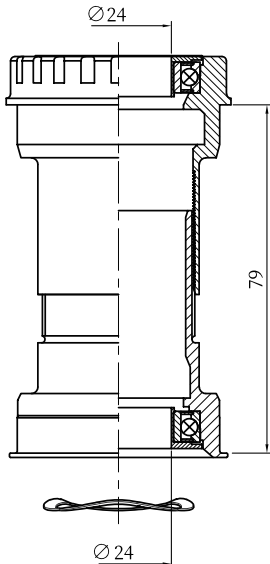
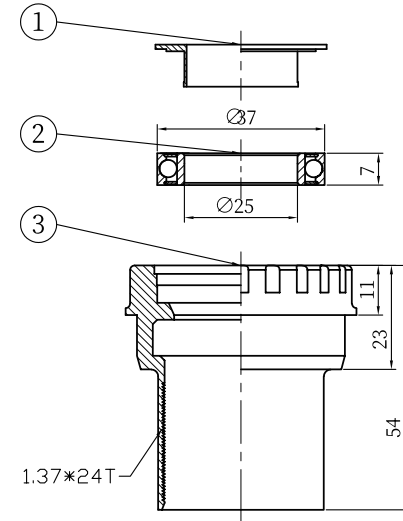


PT-6637FTCB

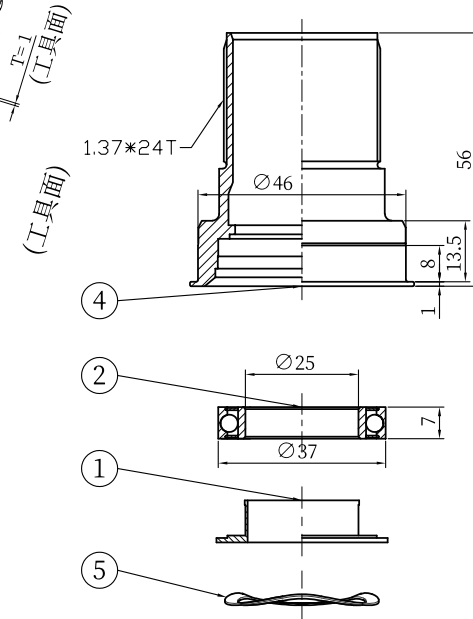
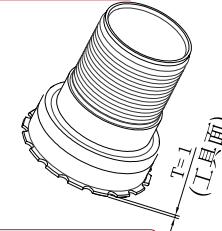


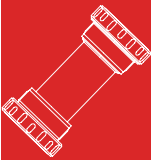
BB right for 24mm spindle
L/R cups OD 46mm & shell width 79mm
Double Sealed cartridge bearings
Compatible with shimano groups
6637FT L/R cups w/thread locking on design

型號 MODEL NO.	零件料號 Item No.	材質 MATERIAL
PT-6637FT	R414	SUJ2
PT-6637FTCB	R414A	Ceramic

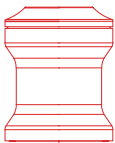


NO.	零件名稱 ITEM NAME	零件料號 ITEM NO.	材質 MATERIAL	數量 QTY
*1	防水圈 / SEAL	A266	NYLON	2PCS
2	培林 / BEARING	-	-	2PCS
3	6637FT 右碗 / CUP	B291FT-R	AL6061	1PCS
4	6637FT 左碗 / CUP	B291FT-R	AL6061	1PCS
5	彈簧墊片 / SPRING WASHER	H2212	K7	1PCS
6	附 BB 說明書	B-63	-	1PCS

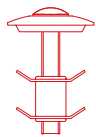




HEADSET



ACCESSORIES



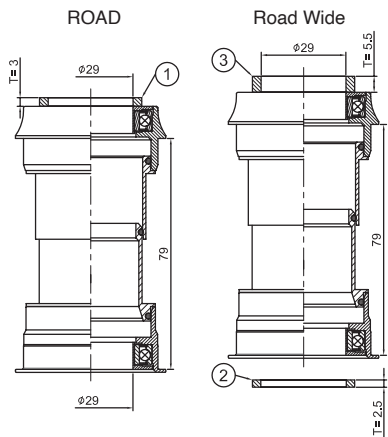
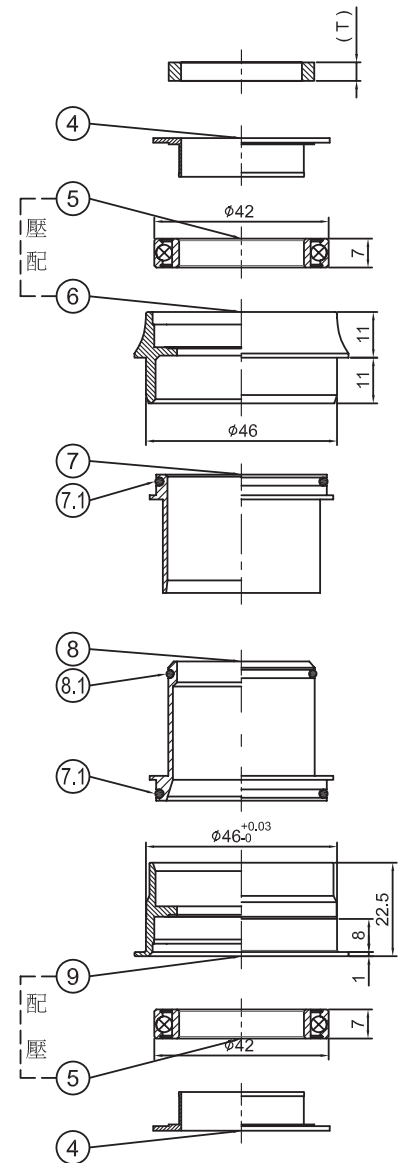
PF30A24/BB30A24/BSABB30/BB8630



PT-6637FD

BB right for 29mm spindle
L/R cups OD 46mm & shell width 79mm
Double Sealed cartridge bearings
Compatible with SRAM DUB

型號 MODEL NO.	零件料號 Item No.	材質 Material
PT-6637FD	R433	SUJ2
PT-6637FDCB	R433A	Ceramic

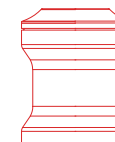


NO.	零件名稱 ITEM NAME	零件料號 ITEM NO.	材質 MATERIAL	數量 QTY
1	鋁墊圈 (ø35xø29.1x3.0) / SPACER	B650-030	AL6061	1PCS
2	鋁墊圈 (ø35xø29.1x2.5) / SPACER	B650-025	AL6061	1PCS
3	鋁墊圈 (ø35xø29.1x5.5) / SPACER	B650-055	AL6061	1PCS
4	29 尼龍襯套 / BUSHING	B659	NYLON	2PCS
5	6806 培林 / BEARING	-	-	2PCS
6	6637PS 碗 / CUP	B277	AL6061	1PCS
7	6635D 中管 (R) / SHELL	B585	AL6061	1PCS
7.1	O 型圈 / O-RING	A284	Rubber	2PCS
8	6635D 中管 (L) / SHELL	B586	AL6061	1PCS
8.1	O 型圈 / O-RING	A255	Rubber	1PCS
*9	6637FD 鋁碗 / LOWER CUP	B288	AL6061	1PCS
	附 BB 說明書	B-61	-	1PCS

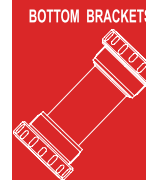
PF30A24/BB30A24/BSABB30/BB8630



ACCESSORIES



HEADSET

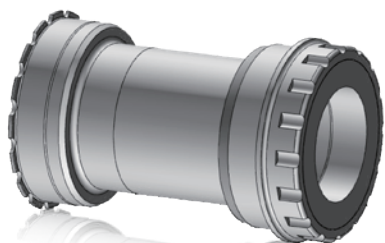


BOTTOM BRACKETS

PT-6637FDT

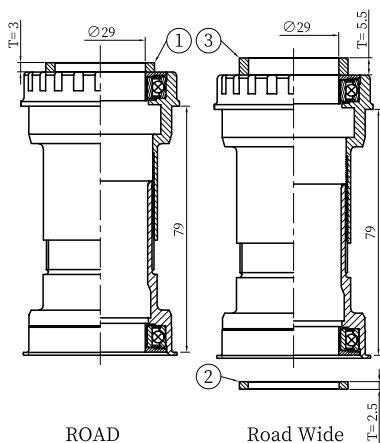
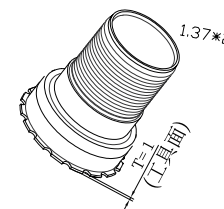


PT-6637FDTCB

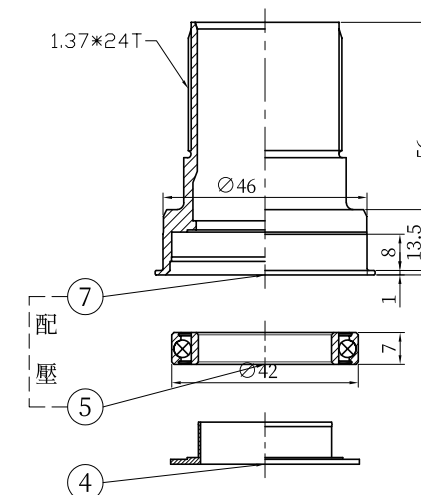
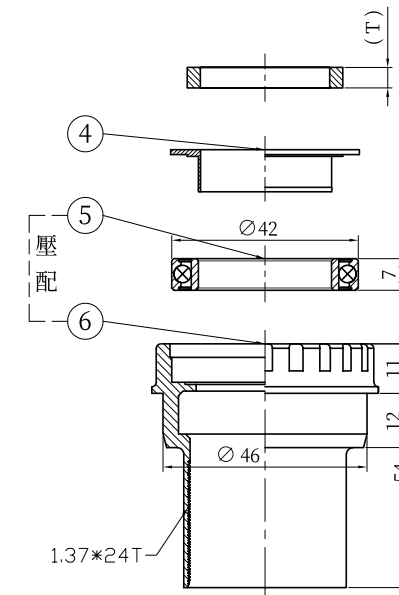


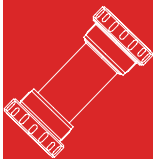
BB right for 29mm spindle
L/R cups OD 46mm & shell width 79mm
Double Sealed cartridge bearings
Compatible with SRAM DUB
6637FDT L/R cups w/thread locking on design

型號 MODEL NO.	零件料號 Item No.	材質 Material
PT-6637FDT	R433	SUJ2
PT-6637FDTCB	R433A	Ceramic

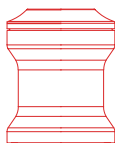


NO.	零件名稱 ITEM NAME	零件料號 ITEM NO.	材質 MATERIAL	數量 QTY
1	鋁墊圈 (ø35xø29.1x3.0) / SPACER	B650-030	AL6061	1PCS
2	鋁墊圈 (ø35xø29.1x2.5) / SPACER	B650-025	AL6061	1PCS
3	鋁墊圈 (ø35xø29.1x5.5) / SPACER	B650-055	AL6061	1PCS
4	29 尼龍襯套 / BUSHING	B659	NYLON	2PCS
5	6806 培林 / BEARING	-	-	2PCS
6	6637FDT 右碗 / CUP	B291FDT-R	AL6061	1PCS
7	6637FDT 左碗 / CUP	B291FDT-L	AL6061	1PCS
	附 BB 說明書	B-61	-	1PCS

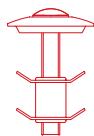




HEADSET



ACCESSORIES

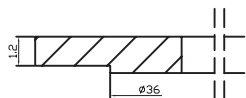
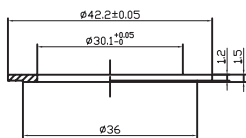
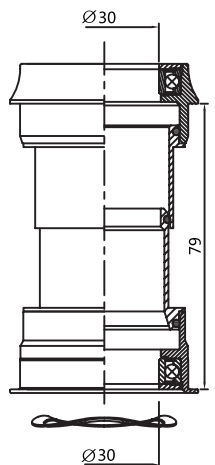


PF30A24/BB30A24/BSABB30/BB8630



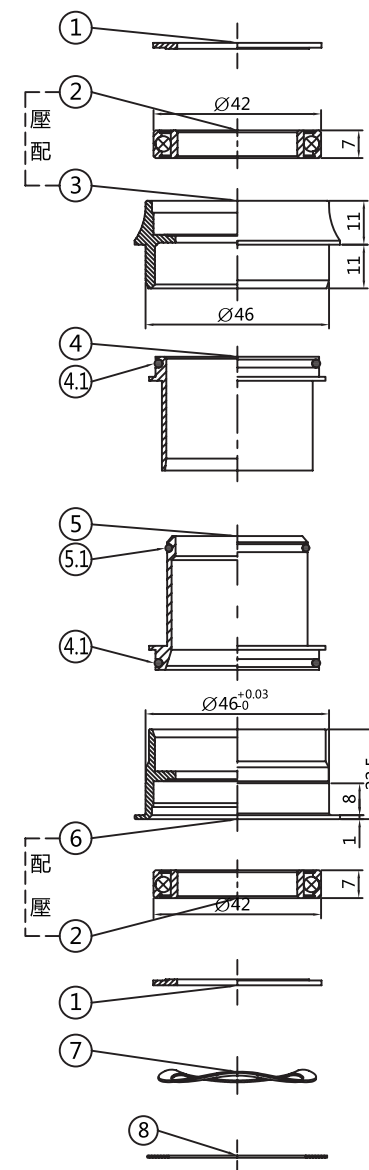
PT-6637FB

BB right for 30mm spindle
 L/R cups OD 46mm & shell width 79mm
 Double Sealed cartridge bearings
 Compatible with 30mm EVO spindle
 6637FDT L/R cups w/thread lock on design



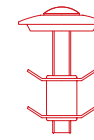
型號 MODEL NO.	零件料號 Item No.	材質 MATERIAL
PT-6637FB	R433	SUJ2
PT-6637FBCB	R433A	Ceramic

NO.	零件名稱 ITEM NAME	零件料號 ITEM NO.	材質 MATERIAL	數量 QTY
*1	鋁墊圈 ($\varnothing 42.2 \times \varnothing 30.1 \times 1.5$) / SPACER	B663	AL6061	2PCS
2	6806 培林 / BEARING	-	-	2PCS
3	6637PS 碗 / CUP	B277	AL6061	1PCS
4	6635D 中管 (R) / SHELL	B585	AL6061	1PCS
4.1	O 型圈 / O-RING	A284	Rubber	2PCS
5	6635D 中管 (L) / SHELL	B586	AL6061	1PCS
5.1	O 型圈 / O-RING	A255	Rubber	1PCS
6	6637FD 鋁碗 / LOWER CUP	B288	AL6061	1PCS
7	彈簧墊片 / SPRING WASHER	H2211	K7	1PCS
8	出貨必須附件 ※ 白鐵墊圈	H2305	SUS304	2PCS

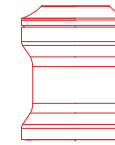


*H2305 華司，不需組立，出貨需附 2PCS

BB386/BB386 ADAPTER

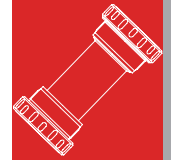


ACCESSORIES



HEADSET

BOTTOM BRACKETS



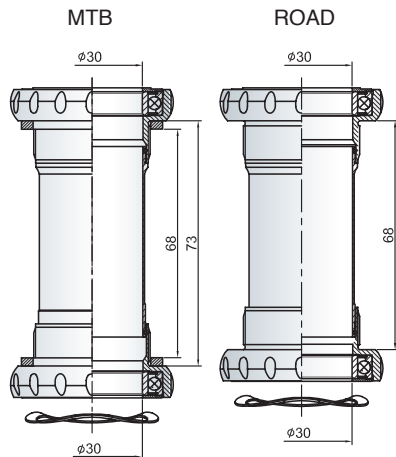
PT-6638D

PT-6638DCB

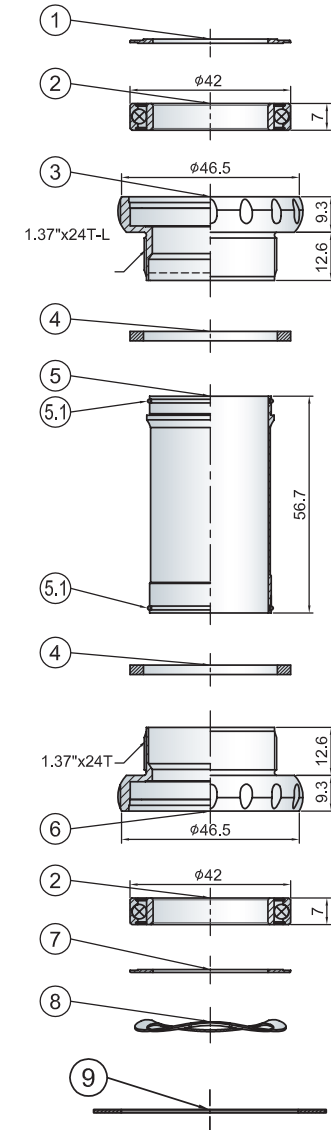
CERAMIC BEARING
BSA BB30

Forged alloy and CNC machined cups
Double sealed cartridge bearing (ø42 x 30 x 7)
BC 1.37" x 24T
Anodized
Compatible with B.B30 crank / BSA frames
Option / PT-6638CB ceramic bearings

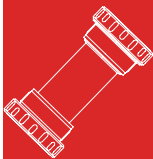
型號 MODEL NO.	零件料號 Item No.	材質 MATERIAL
PT-6638D	R433	SUJ2
PT-6638DCB	R433A	Ceramic



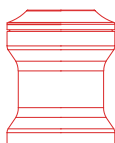
NO.	零件名稱 ITEM NAME	零件料號 ITEM NO.	材質 MATERIAL	數量 QTY
1	6638 鋁墊圈 (R) /SPACER	B640	AL6061	1PCS
2	6806 培林 /BEARING	-	-	2PCS
3	6638 反牙碗 /CUP	B224-2	AL6061	1PCS
4	鋁墊圈 /SPACER	B608	AL6061	2PCS
5	6638 中管 /SHELL	B584-1	AL6061	1PCS
5.1	O 型圈 /O-RING	A297	Rubber	2PCS
6	6624C 正牙碗 / SUP	B224-1	AL6061	1PCS
7	6638 鋁墊圈 (L) /SPACER	B629	AL6061	1PCS
8	彈簧墊片 /SPRING WASHER	H2211	K7	1PCS
9	※ 白鐵墊圈 (40° 30° 0.5) (出貨必須附件) /SPACER	H2305	SUS304	2PCS
	附 BB 說明書	B-48	-	1PCS



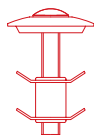
· H2305 華司, 不需組立,
出貨需附 2PCS



HEADSET



ACCESSORIES



BB386/BB386 ADAPTER



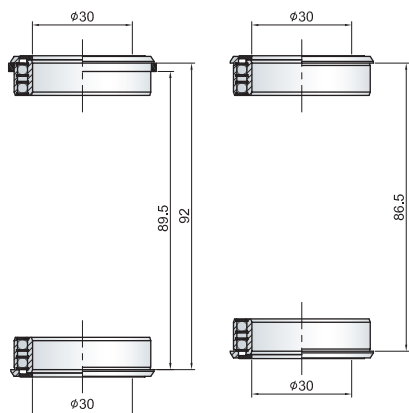
PT-6624B



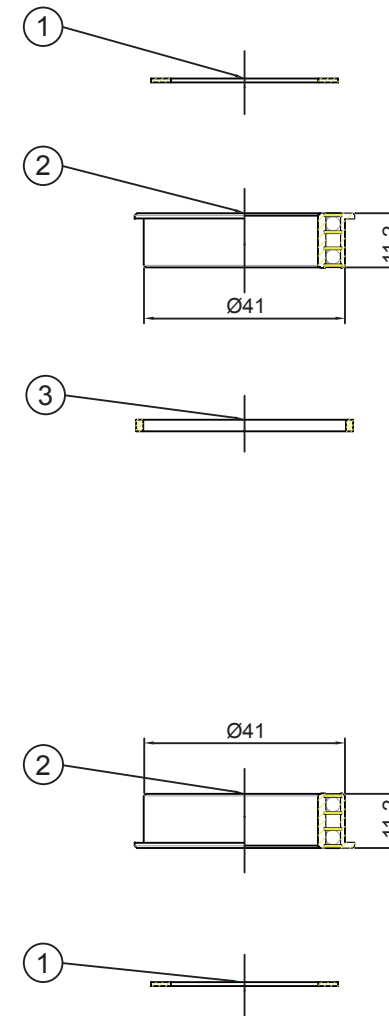
BB8630
 BB86/BB89/BB92 Frame/BB386 Crankset
 (Spindel OD:30mm)
 Frame ID:41 x w86.5/89.5/92mm
 sealed cartridge bearings/double ball orbit bearings
 Weight:77g

MTB

ROAD



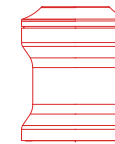
NO.	零件名稱 ITEM NAME	零件料號 ITEM NO.	材質 MATERIAL	數量 QTY
1	鋁墊片 (ø38.2* ø30.1* 0.8) / SPACER	B644	AL6061	2PCS
2	軸承 41* 30 / SEALED BEAEING	R454	SUJ2	2PCS
3	44 鋁墊圈 / SPACER	B613	AL6061	1PCS
4	(出貨必須附件) ※ 白鐵墊圈 (40* 30* 0.5) / SPACER	H2305	SUS304	2PCS
	附 BB 說明書	B-44	-	1PCS



BB386/BB386 ADAPTER

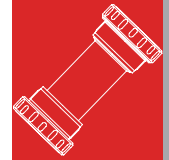


ACCESSORIES



HEADSET

BOTTOM BRACKETS



PT-6635T



CERAMIC BEARING

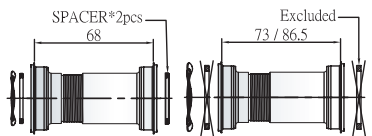
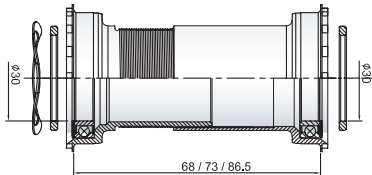
PT-6635TCB



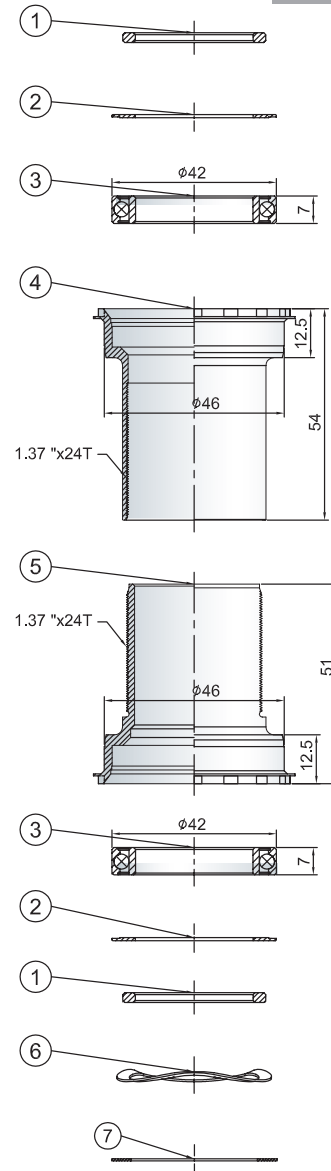
Pressfit BB 386/PF 30
L/R cup OD46mm
Double sealed cartridge bearings
CNC machined alloy cups
Anodized available
Weight: 115g
Option: 6635TCB ceramic bearings
BB386 frame (Ø46 x 86.5mm)
PF30 frame (Ø46 x 68/73mm)
Between L/R cups w/threaded locking on design

	型號 MODEL NO.	零件料號 Item No.	材質 MATERIAL
③	PT-6635T	R433	SUJ2
	PT-6635TCB	R433A	Ceramic

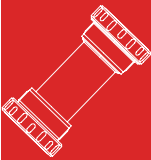
MTB



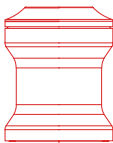
NO.	零件名稱 ITEM NAME	零件料號 ITEM NO.	材質 MATERIAL	數量 QTY
1	36.5* 30* 2.5 鋁華司 / SWSHER	B622	AL6061	2PCS
2	6638 鋁墊圈 / SPACER	B629	AL6061	2PCS
3	6806 培林 / BEARING	-	-	2PCS
4	6635T 右碗 / CUP	B260	AL6061	1PCS
5	6635T 左碗 / CUP	B261	AL6061	1PCS
6	彈簧墊片 / SPRING WASHER	H2211	K7	1PCS
7	白鐵墊圈 (40* 30* 0.5)(出貨必須附件) / SPACER	H2305	SUS304	3PCS
	附 BB 說明書	B-20	-	1PCS



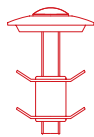
· H2305 華司, 不需組立, 出貨需附 3PCS



HEADSET



ACCESSORIES



BB386/BB386 ADAPTER



PT-6635D



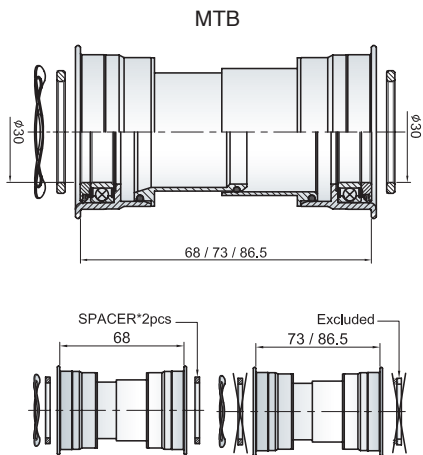
CERAMIC BEARING
BB386

PT-6635DCB

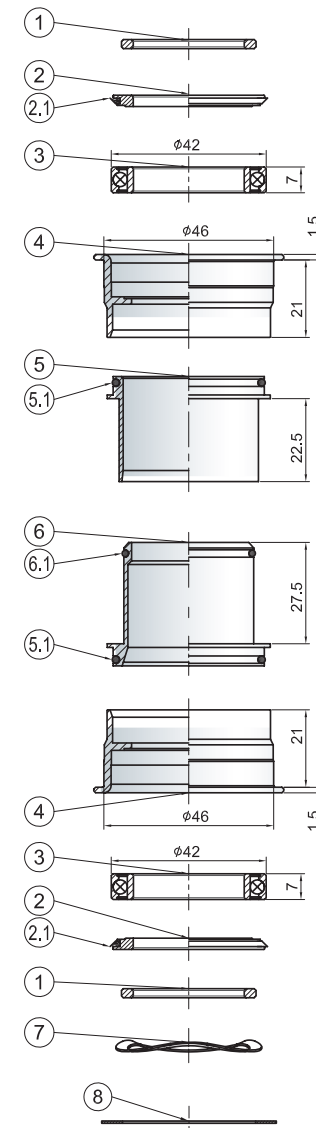


Pressfit BB386
L/R cup OD46mm
Double sealed cartridge bearings
BB386 frame (Ø46 x 86.5mm)
PF30 frame (Ø46 x 68/73mm)
6635DCB Ceramic Bearings

型號 MODEL NO.	零件料號 Item No.	材質 MATERIAL
PT-6635D	R433	SUJ2
PT-6635DCB	R433A	Ceramic

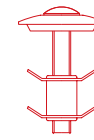


NO.	零件名稱 ITEM NAME	零件料號 ITEM NO.	材質 MATERIAL	數量 QTY
1	36.5* 30* 2.5 鋁華司 / WASHER	B622	AL6061	2PCS
2	41* 30* 3 鋁墊片 / SPACER	B619	AL6061	2PCS
2.1	防水圈 / SEAL	A257	Rubber	2PCS
3	6806 培林 / BEARING	-	-	2PCS
4	6635 鋁碗 / CUP	B216	AL6061	2PCS
5	6635D 中管 (R) / SHELL	B585	AL6061	1PCS
5.1	O 型圈 / O-RING	A284	Rubber	2PCS
6	6635D 中管 (L) / SHELL	B586	AL6061	1PCS
6.1	O 型圈 / O-RING	A255	Rubber	1PCS
7	彈簧墊片 / SPRING WASHER	H2211	K7	1PCS
8	(出貨必須附件) 白鐵墊圈 (40* 30* 0.5) / SPACER	H2305	SUS304	3PCS
	附 BB 說明書	B-20	-	1PCS
	○ H2305 華司, 不需組立, 出貨需附 3PCS			

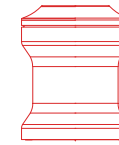


· H2305 華司, 不需組立, 出貨需附 3PCS

BB386/BB386 ADAPTER

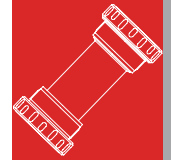


ACCESSORIES



HEADSET

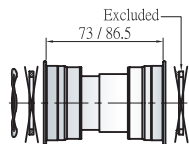
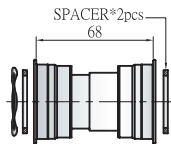
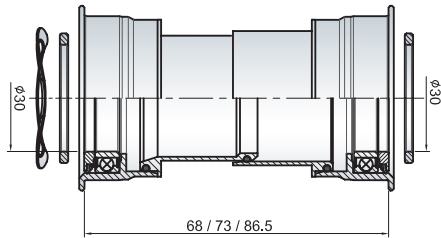
BOTTOM BRACKETS



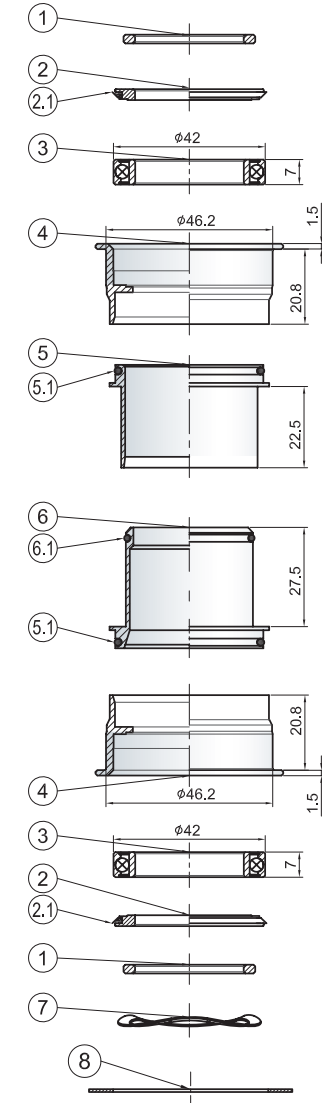
PT-6635P

Pressfit BB386
L/R cup OD46mm
Double sealed cartridge bearings
BB386 frame (Ø46 x 86.5mm)
PF30 frame (Ø46 x 68/73mm)
L/R plastic cups / Nylon N6

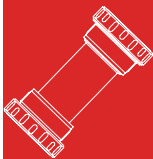
MTB



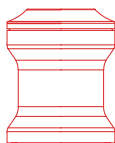
NO.	零件名稱 ITEM NAME	零件料號 ITEM NO.	材質 MATERIAL	數量 QTY
1	36.5* 30* 2.5 鋁華司 / WASHER	B622	AL6061	2PCS
2	41* 30* 3 鋁墊片 / SPACER	B619	AL6061	2PCS
2.1	防水圈 / SEAL	A257	Rubber	2PCS
3	6806 培林 / BEARING	R433	SUJ2	2PCS
4	6635P 左右碗 / CUP	B216 B	Nylon N6	2PCS
5	6635D 中管 (R) / SHELL	B585	AL6061	1PCS
5.1	O 型圈 / O-RING	A284	Rubber	2PCS
6	6635D 中管 (L) / SHELL	B586	AL6061	1PCS
6.1	O 型圈 / O-RING	A255	Rubber	1PCS
7	彈簧墊片 / SPRING WASHER	H2211	K7	1PCS
8	(出貨必須附件) 白鐵墊圈 (40* 30* 0.5) / SPACER	H2305	SUS304	3PCS
	附 BB 說明書	B-20	-	1PCS



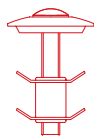
· H2305 華司，不需組立，出貨需附 3PCS



HEADSET



ACCESSORIES



BB386 / BB386 ADAPTER



PT-6635AT



FOR SHIMANO

PT-6635ATM

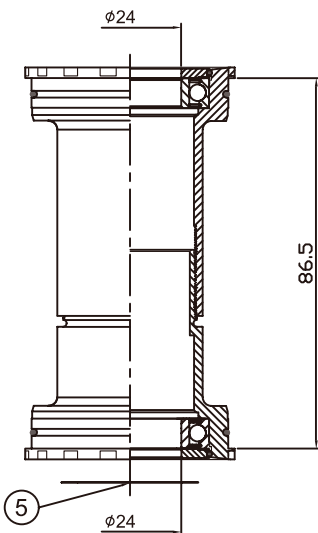


FOR SRAM

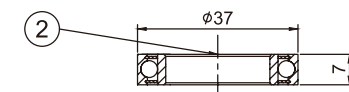
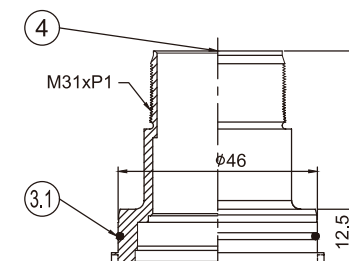
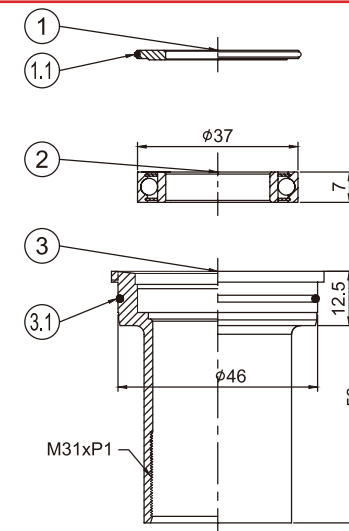
BB386 adapter for SHIMANO

CNC machined alloy cups L/R cups OD46mm
for BB386 frame
(Ø46 x 86.5mm width)
To fit SHIMANO cranksets
Weight:133g
Anodized available
*Center shell W/Threaded
locking on design

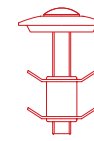
型號 MODEL NO.	零件料號 Item No.	材質 MATERIAL
PT-6635AT	R451	SUJ2
PT-6635ATCB	R451A	Ceramic



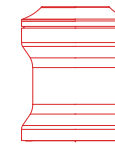
NO.	零件名稱 ITEM NAME	零件料號 ITEM NO.	材質 MATERIAL	數量 QTY
1	鋁墊片 (ø37.5xø24.05x2.2) / SPACER	B637	AL6061	2PCS
1.1	O 型圈 / O-RING	A296	Rubber	2PCS
2	培林 / BEARING	-	-	2PCS
3	6635AT 右碗 / CUP	B256	AL6061	1PCS
3.1	O 型圈 / O-RING	A294	Rubber	2PCS
4	6635AT 左碗 / CUP	B257	AL6061	1PCS
5	華司 / WASHER	H2404	SUS430	1PCS
	附 BB 說明書	B-29	-	1PCS



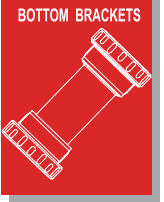
BB386 / BB386 ADAPTER



ACCESSORIES



HEADSET



BOTTOM BRACKETS



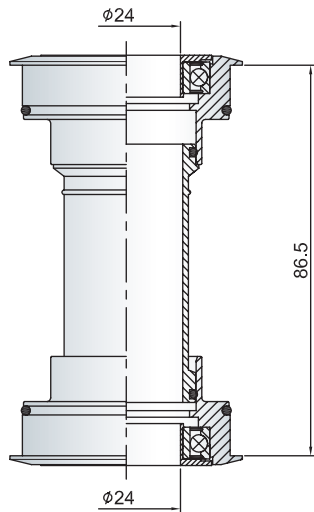
PT-6635SL



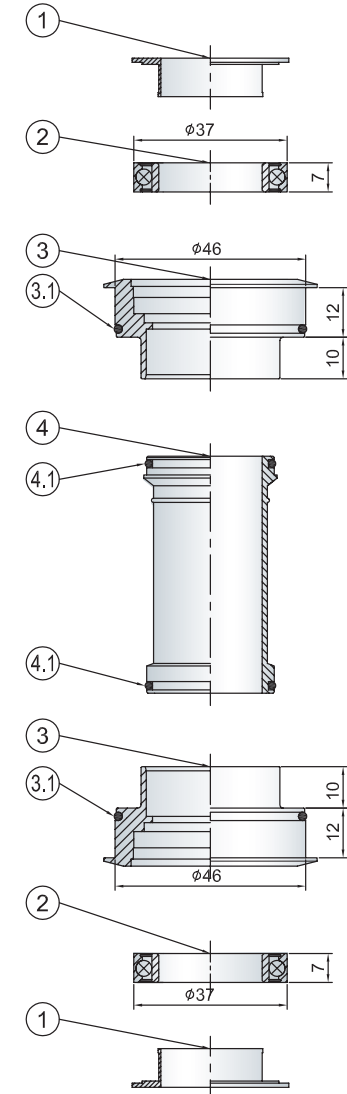
BB386 ADAPTER FOR SHIMANO

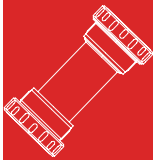
CNC machined alloy cups
 L/R cup OD46mm
 Adapts for BB386 frame (Ø46 x 86.5mm)
 to fit SHIMANO cranksets
 Compatible with Shimano groups
 Anodized available

型號 MODEL NO.	零件料號 Item No.	材質 MATERIAL
PT-6635SL	R414	SUJ2
PT-6635SLCB	R414A	Ceramic

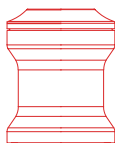


NO.	零件名稱 ITEM NAME	零件料號 ITEM NO.	材質 MATERIAL	數量 QTY
1	防水圈 / SEAL	A266	Nylon	2PCS
2	6805 培林 / BEARING	-	-	2PCS
3	6635SL 鋁碗 / CUP	B230	AL6061	2PCS
3.1	O 型圈 / O-RING	A284	Rubber	2PCS
4	中管 / SHELL	B567-2	黑 PC	1PCS
4.1	O 型圈 / O-RING	A269	Rubber	2PCS
	附 BB 說明書	B-25	-	1PCS

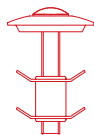




HEADSET



ACCESSORIES



BB386 / BB386 ADAPTER

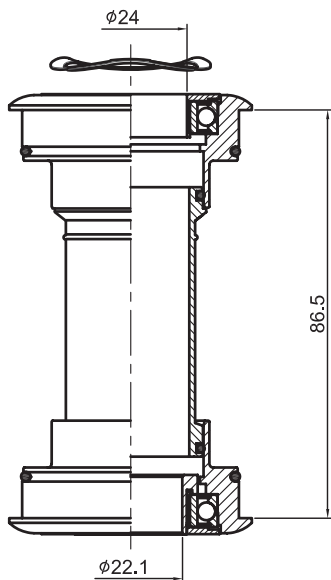


PT-6635SM

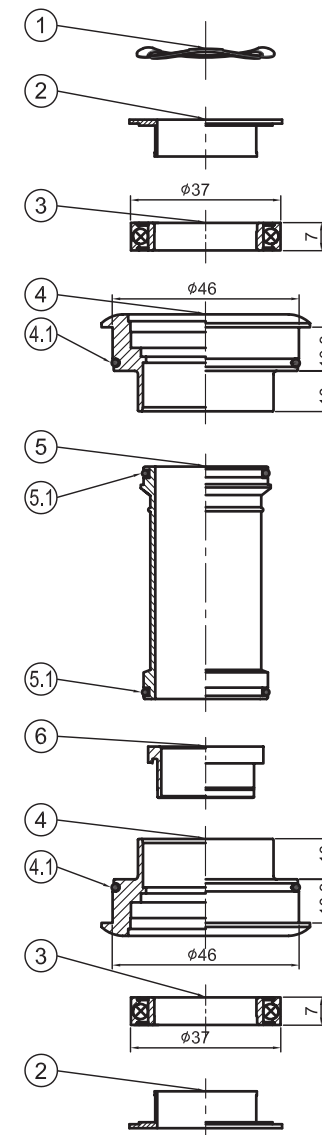


BB386 ADAPTER FOR SHIMANO

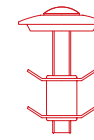
L/R cup OD46mm
 Adapts for BB386 frame (Ø46 x 86.5mm)
 to fit SRAM cranksets
 Compatible with SRAM groups
 Anodized available



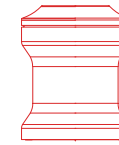
NO.	零件名稱 ITEM NAME	零件料號 ITEM NO.	材質 MATERIAL	數量 QTY
1	彈簧墊片 SPRING WASHER	H2212	K7	1PCS
2	防水圈 SEAL	A266	Nylon	2PCS
3	6805 培林 / BEARING	R414	SUJ2	2PCS
4	6635SM 鋁碗	B231	AL6061	2PCS
4.1	O 型圈	A269	Rubber	2PCS
5	中管 SHELL	B567-2	黑 PC	1PCS
5.1	O 型圈 / O-RING	A269	Rubber	2PCS
6	6630 鋁襯套 BUSHING	B609	AL7075	1PCS
	附 BB 說明書	B-29	-	1PCS



BB386 / BB386 ADAPTER

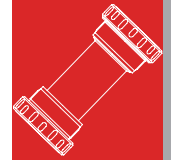


ACCESSORIES



HEADSET

BOTTOM BRACKETS

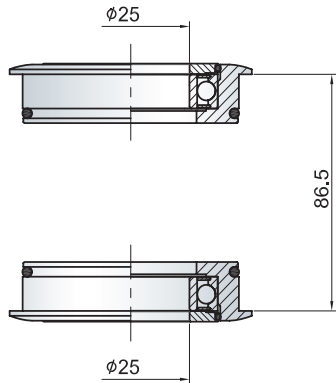


PT-6635SA

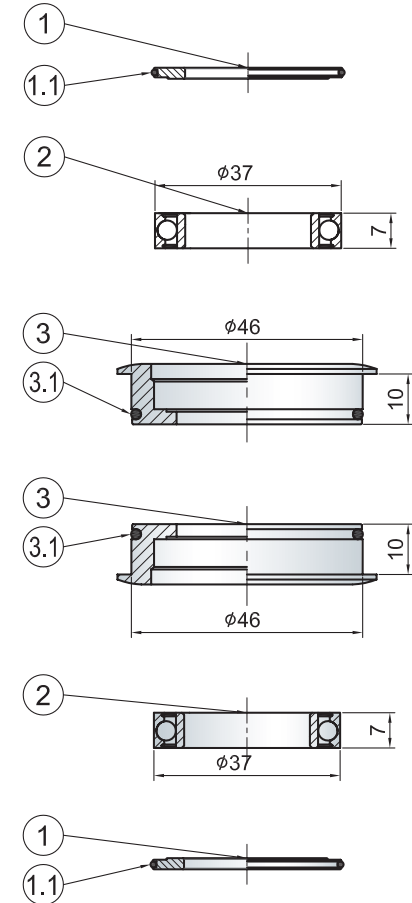


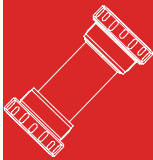
BB386 ADAPTER FOR CAMPY

CNC machined alloy cups
L/R cup OD46mm
Adapts for BB386 frame (Ø46 x 86.5mm)
to fit CAMPY cranksets
Anodized available

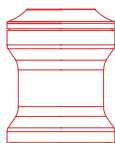


NO.	零件名稱 ITEM NAME	零件料號 ITEM NO.	材質 MATERIAL	數量 QTY
1	鋁墊片 / SPACER	B639	AL6061	2PCS
1.1	O 型圈 / O-RING	A296	Rubber	2PCS
2	6805 培林 / BEARING	R414	SUJ2	2PCS
3	6635SA 鋁碗 / CUP	B232	AL6061	2PCS
3.1	O 型圈 / O-RING	A284	Rubber	2PCS
	附 BB 說明書	B-17	-	1PCS

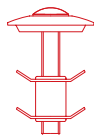




HEADSET



ACCESSORIES



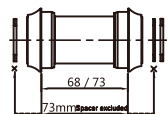
PF30 / PF30 ADAPTER



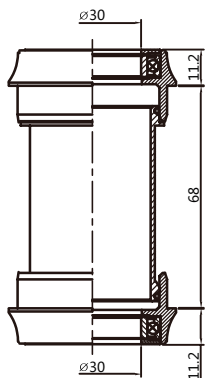
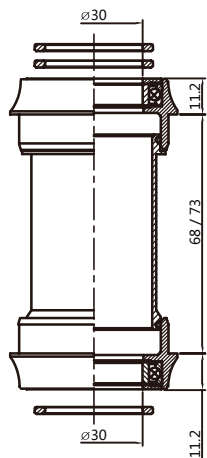
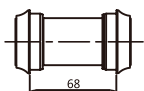
PT-6637A

PF 30BB for 30mm spindle
 L/R cup OD46mm
 Press Fit MTB/ Road
 Double sealed cartridge bearings
 R433 bearing 6806
 OD:42 ID:30 T:7

MTB

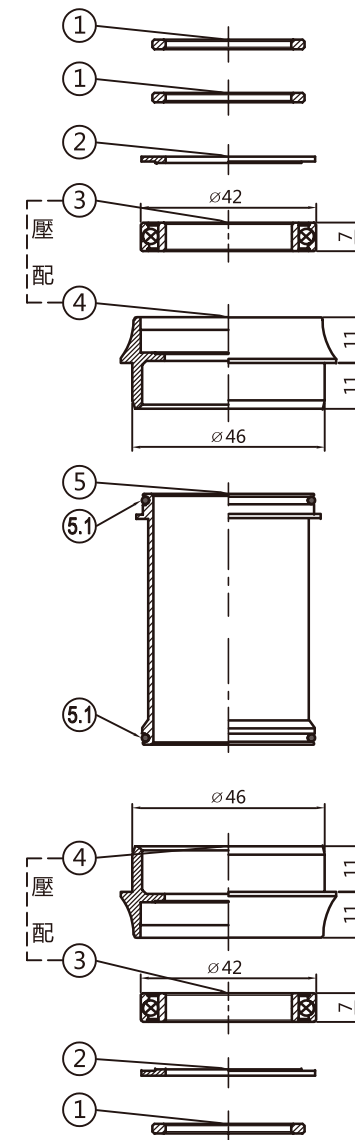


ROAD

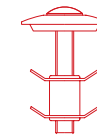


型號 MODEL NO.	零件料號 Item No.	材質 MATERIAL
PT-6637A	R433	SUJ2
PT-6637ACB	R433A	Ceramic

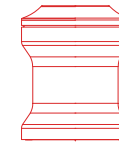
NO.	零件名稱 ITEM NAME	零件料號 ITEM NO.	材質 MATERIAL	數量 QTY
1	36.5x30x2.5 鋁華司 / WASHER	B622	AL6061	3PCS
2	6637A 鋁襯套 / BUSHING	B657	AL6061	2PCS
3	6806 培林 / BEARING	-	-	2PCS
4	6637S 碗 / CUP	B269	AL6061	2PCS
5	6637 鋁中管	B579	AL6061	1PCS
5.1	O 型圈 / O-RING	A284	Rubber	2PCS
	附 BB 說明書	B-07	-	1PCS



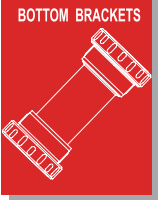
PF30 / PF30 ADAPTER



ACCESSORIES



HEADSET



BOTTOM BRACKETS

PT-6637



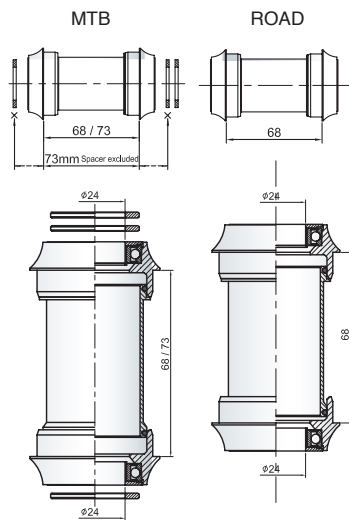
CERAMIC BEARING
PF30 ADAPTER FOR SHIMANO

PT-6637CB

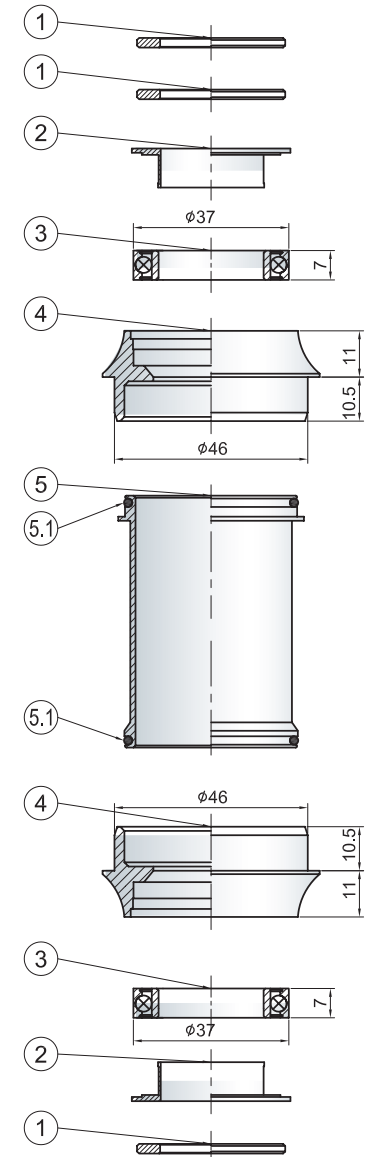


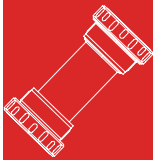
PF30BB for transform into BB24,
L/R cup OD46mm
Pressfit for MTB/ROAD
Double sealed cartridge bearings
(OD37mm x ID25mm x H7mm)
Compatible with Shimano groups
Option: 6637CB ceramic bearings

型號 MODEL NO.	零件料號 Item No.	材質 MATERIAL
PT-6637	R414	SUJ2
PT-6637CB	R414A	Ceramic

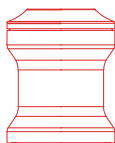


NO.	零件名稱 ITEM NAME	零件料號 ITEM NO.	材質 MATERIAL	數量 QTY
1	鋁墊圈 (Ø35* Ø24* 2.3) / SPACER	B620	AL6061	3PCS
2	防水圈 / SEAL	A266	Nylon	2PCS
3	6805 培林 / BEARING	-	-	2PCS
4	6637 鋁碗 / CUP	B221	AL6061	2PCS
5	6637 鋁中管 / SHELL	B579	AL6061	1PCS
5.1	O 型圈 / O-RING	A284	Rubber	2PCS
	附 BB 說明書	B-07		1PCS

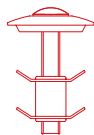




HEADSET



ACCESSORIES



PF30 / PF30 ADAPTER



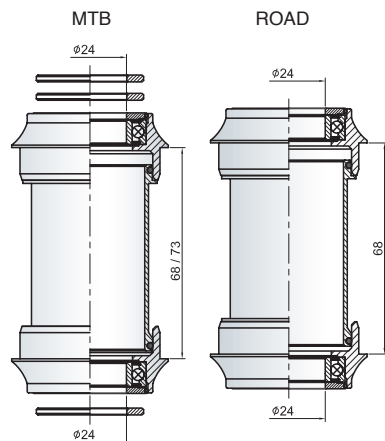
PT-6637H



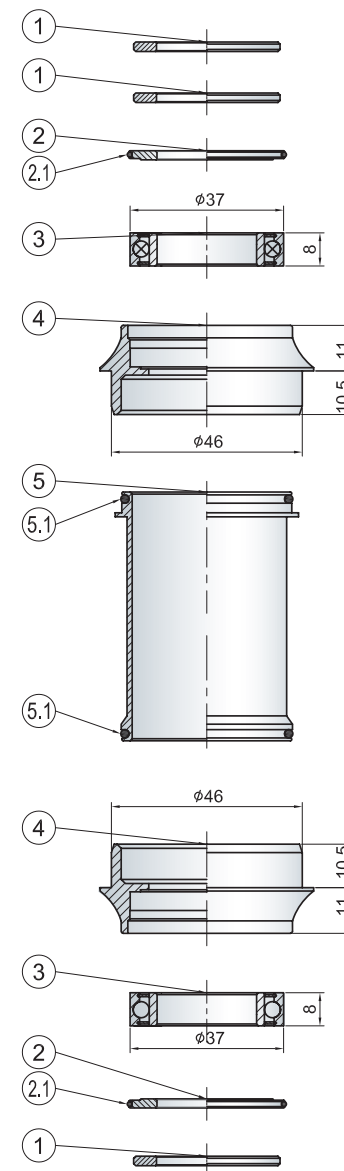
PF30 ADAPTER FOR SHIMANO

PF30BB for transform into BB24,
L/R cup OD46mm
Pressfit for MTB/ROAD
Double sealed cartridge bearings
(OD37mm x ID24 x H8mm)
Compatible with SHIMANO groups

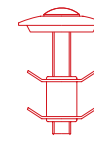
	型號 MODEL NO.	零件料號 Item No.	材質 MATERIAL
③	PT-6637H	R444	SUJ2



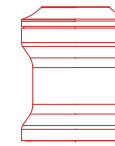
NO.	零件名稱 ITME NAME	零件料號 ITEM NO.	材質 MATERIAL	數量 QTY
1	鋁墊圈 (Ø35* Ø24* 2.3) / SPACER	B620	AL6061	3PCS
2	鋁墊片 (Ø37.5* Ø24.05* 2.2) / SPACER	B637	AL6061	2PCS
2.1	O 型圈 / O-RING	A296	Rubber	2PCS
3	軸承 / SEALED BEARING	-	-	2PCS
4	6637H 鋁碗 / CUP	B235	AL6061	2PCS
5	6637 鋁中管 / SHELL	B579	AL6061	1PCS
5.1	O 型圈 / O-RING	A284	Rubber	2PCS
	附 BB 說明書	B-07		1PCS



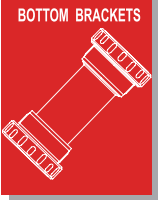
PF30 / PF30 ADAPTER



ACCESSORIES



HEADSET



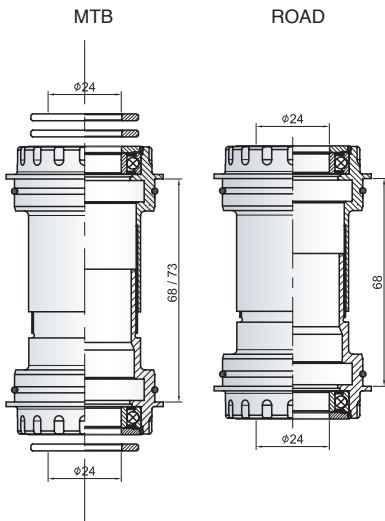
PT-6639

PT-6639CB

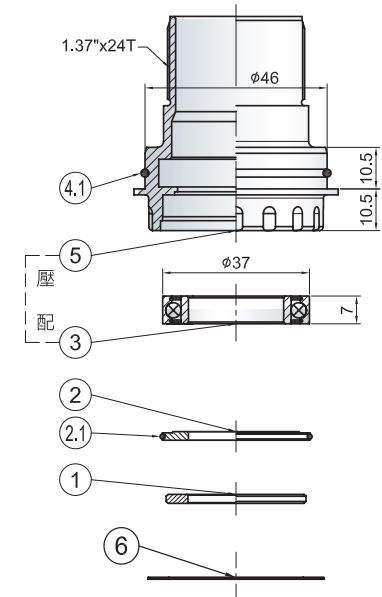
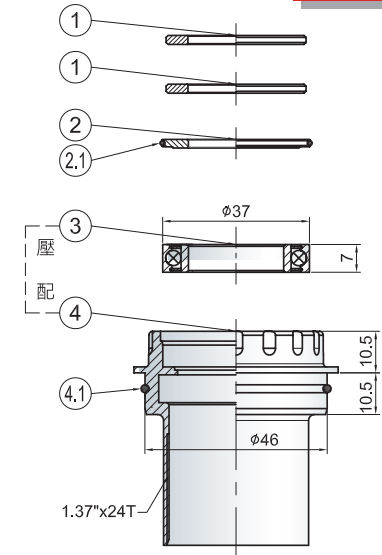
CERAMIC BEARING FOR SHIMANO

PF30BB frame for Shimano $\varnothing 24$ crankset
 L/R cup OD46mm
 Pressfit for MTB/ROAD
 Double sealed cartridge bearings
 Compatible with SHIMANO groups
 L/R cups w/threaded / center threaded locking on design
 Option: 6639CB ceramic bearings

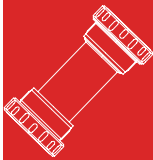
型號 MODEL NO.	零件料號 Item No.	材質 MATERIAL
PT-6639	R451	SUJ2
PT-6639CB	R451A	Ceramic



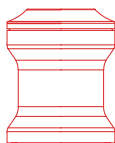
NO.	零件名稱 ITME NAME	零件料號 ITEM NO.	材質 MATERIAL	數量 QTY
1	鋁墊圈 ($\varnothing 35 \times \varnothing 24 \times 2.3$) / SPACER	B620	AL6061	3PCS
2	鋁墊片 ($\varnothing 37.5 \times \varnothing 24.05 \times 2.2$) / SPACER	B637	AL6061	2PCS
2.1	O 型圈 / O-RING	A269	Rubber	2PCS
3	培林 / BEARING	-	-	2PCS
4	6639 右碗 / CUP	B239	AL6061	1PCS
4.1	O 型圈 / O-RING	A284	Rubber	2PCS
5	6639 左碗 / CUP	B240	AL6061	1PCS
6	華司 ($\varnothing 32 \times \varnothing 24.5 \times 0.25$) (出貨必須附件) / WASHER	H2404	SUS430	3PCS
	附 BB 說明書	B-21	-	1PCS



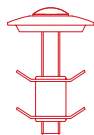
· H2404 華司, 不需組立, 出貨需附 3PCS



HEADSET



ACCESSORIES



PF30 / PF30 ADAPTER

PT-6637M

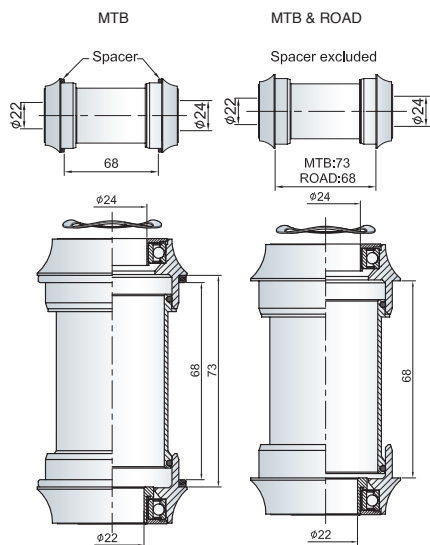


PT-6637MCB



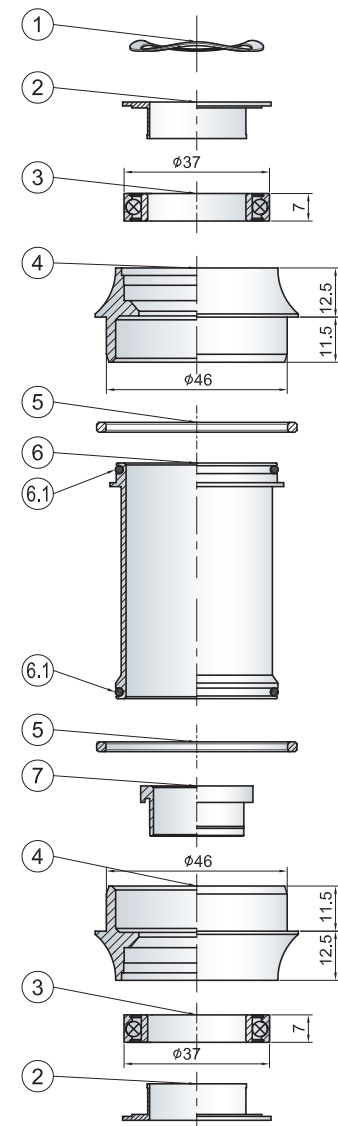
PF30 adapter for SRAM

PF30BB for transform into 22/24,
L/R cup OD46mm
Pressfit for MTB/ROAD
Double sealed cartridge bearings
(OD37mm x ID24 x H8mm)
Compatible with SRAM groups
Option: 6637MCB ceramic bearings

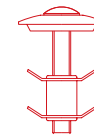


型號 MODEL NO.	零件料號 Item No.	材質 MATERIAL
PT-6637M	R414	SUJ2
PT-6637MCB	R414A	Ceramic

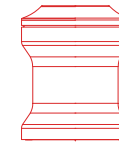
NO.	零件名稱 ITEM NAME	零件料號 ITEM NO.	材質 MATERIAL	數量 QTY
1	彈簧墊片 / SPRING WASHER	H2212	K7	
2	防水圈 / SEAL	A266	Nylon	2PCS
3	6805 培林 / BEARING	-	-	2PCS
4	6637M 鋁碗 / CUP	B225	AL6061	2PCS
5	鋁墊圈 (Ø51* Ø46.2* 2.5) / SPACER	B632	AL6061	2PCS
6	6637 鋁中管 / SHELL	B579	AL6061	1PCS
6.1	O 型圈 / O-RING	A284	Rubber	2PCS
7	6630 鋁襯套 / BUSHING	B609	AL7075	1PCS
	附 BB 說明書	B-11	-	1PCS



PF30 / PF30 ADAPTER

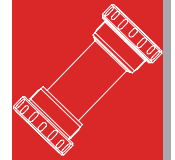


ACCESSORIES



HEADSET

BOTTOM BRACKETS



PT-6639M



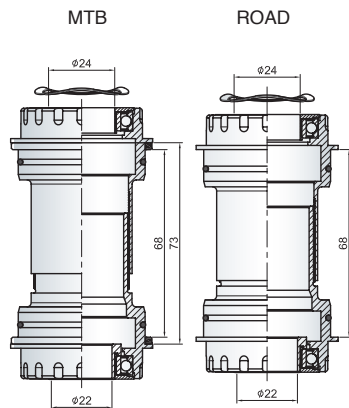
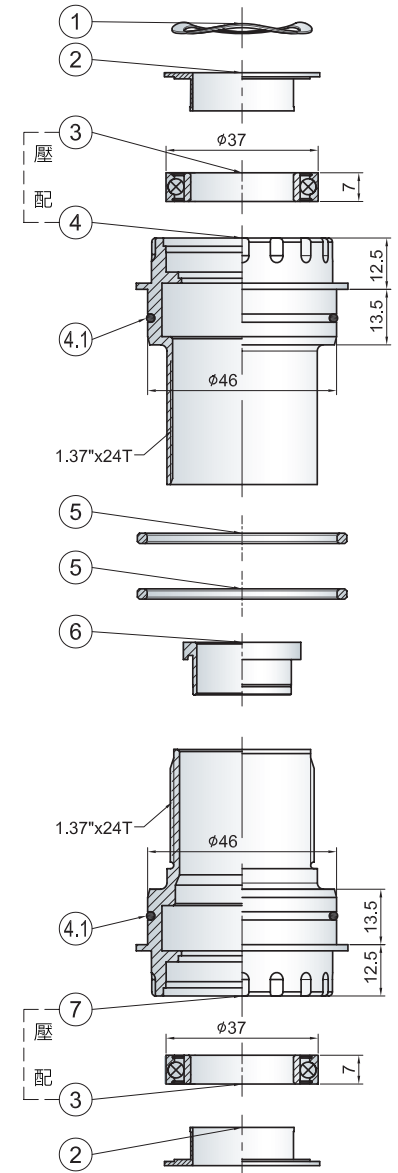
PT-6639MCB



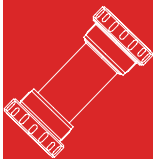
For SRAM

PF30BB for transform into 22/24, L/R cup OD46mm
 Pressfit for MTB/ROAD
 Double sealed cartridge bearings
 Compatible with SRAM groups
 6639MCB ceramic bearings

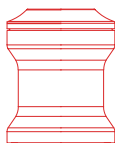
型號 MODEL NO.	零件料號 Item No.	材質 MATERIAL
PT-6639M	R414	SUJ2
PT-6639MCB	R414A	Ceramic



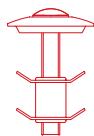
NO.	零件名稱 ITEM NAME	零件料號 ITEM NO.	材質 MATERIAL	數量 QTY
1	彈簧墊片 / SPRING WASHER	H2212	K7	1PCS
2	防水圈 / SEAL	A266	Nylon	2PCS
3	6805 培林 / BEARING	-	-	2PCS
4	6639M 右碗 / CUP	B241	AL6061	1PCS
4.1	O 型圈 / O-RING	A284	Rubber	2PCS
5	鋁墊圈 (ø51* ø46.2* 2.5) / SPACER	B632	AL6061	2PCS
6	6630 鋁襯套 / BUSHING	B609	AL7075	1PCS
7	6639M 左碗 / CUP	B242	AL6061	1PCS
	附 BB 說明書	B-22	-	1PCS



HEADSET



ACCESSORIES



BB 30 ADAPTER

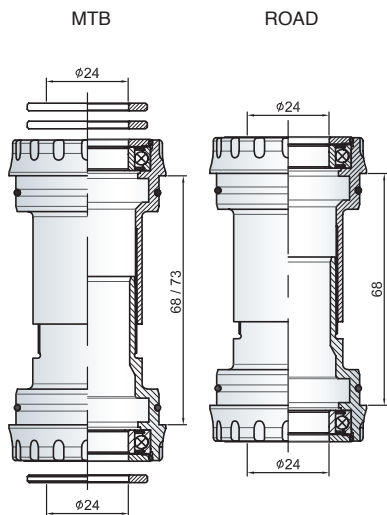


PT-6632F

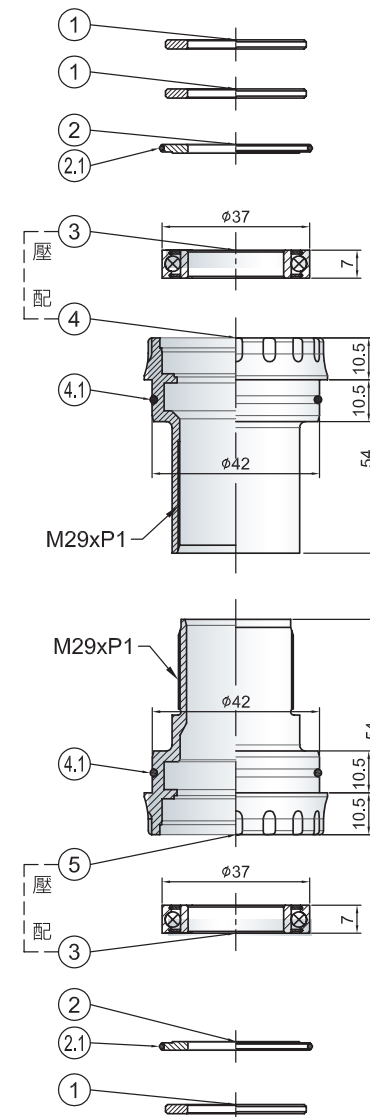
BB30 Adapter for SHIMANO

BB30 frame ID42 for Ø24 crankset L/R cup OD42mm
w/seals cartridge bearings
Compatible with SHIMANO groups
Center shell w/Threaded locking on design

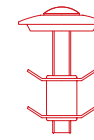
型號 MODEL NO.	零件料號 Item No.	材質 MATERIAL
PT-6632F	R451	SUJ2
PT-6632FCB	R451A	Ceramic



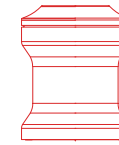
NO.	零件名稱 ITME NAME	零件料號 ITEM NO.	材質 MATERIAL	數量 QTY
1	鋁墊圈 (Ø35* Ø24* 2.3)SPACER	B620	AL6061	3PCS
2	鋁墊片 (Ø37.5* Ø24.05* 2.2)SPACER	B637	AL6061	2PCS
2.1	O 型圈 / O-RING	A296	Rubber	2PCS
3	培林 / BEARING	-	-	2PCS
4	6632F 右碗 / CUP	B247	AL6061	1PCS
4.1	O 型圈 / O-RING	A255	Rubber	2PCS
5	6632F 左碗 / CUP	B248	AL6061	1PCS
6	華司 (Ø32* Ø24.5* 0.25) (出貨必須附件) / WASHER	H2404	SUS430	3PCS
附 BB 說明書		B-21	-	1PCS



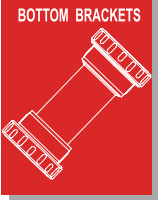
BB30 ADAPTER



ACCESSORIES



HEADSET



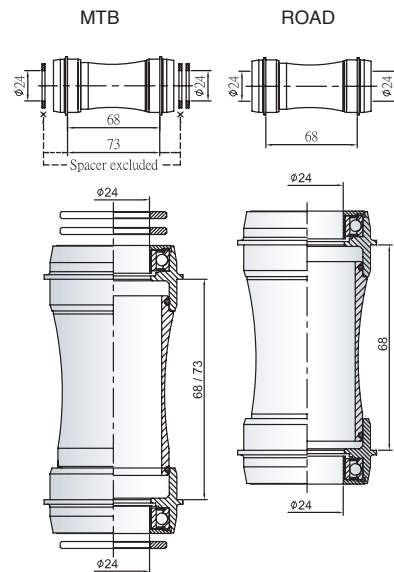
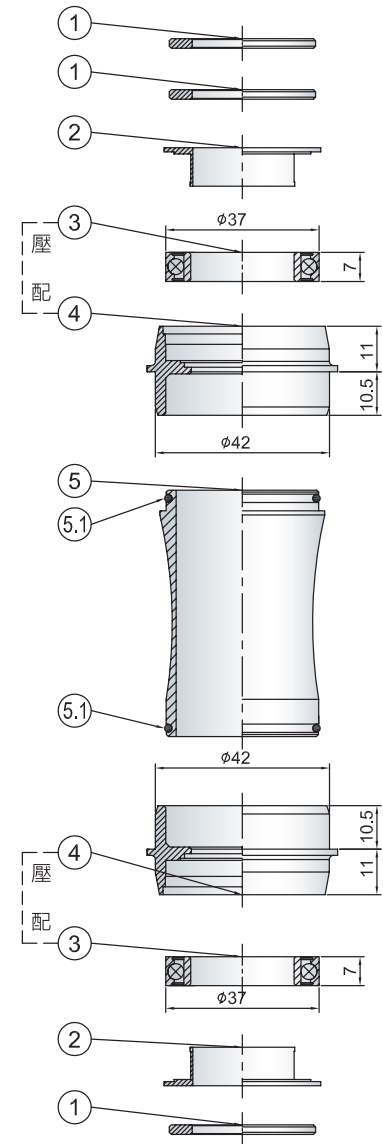
BOTTOM BRACKETS



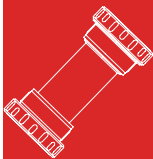
PT-6632D

CNC machined alloy cups
 Alloy shell
 Sealed cartridge bearings,
 L/R cup OD42mm
 BB30 for transform into BB24, Pressfit for MTB/ROAD
 Compatible with shimano groups
 Anodized available
 PT-6632DCB ceramic bearings

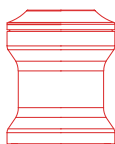
型號 MODEL NO.	零件料號 Item No.	材質 MATERIAL
PT-6632D	R414	SUJ2
PT-6632DCB	R414A	Ceramic



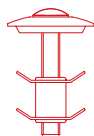
NO.	零件名稱 ITEM NAME	零件料號 ITEM NO.	材質 MATERIAL	數量 QTY
1	鋁墊圈 (Ø35* Ø24* 2.3) / SPACER	B620	AL6061	3PCS
2	防水圈 / SEAL	A266	Nylon	2PCS
3	6805 培林 / BEARING	-	-	2PCS
4	6632 左碗 / CUP	B212	AL6061	2PCS
5	EX-5 中管 / SHELL	B572	AL6061	1PCS
5.1	O 型圈 / O-RING	A255	Rubber	2PCS
	附 BB 說明書	B-07	-	1PCS



HEADSET



ACCESSORIES



BB30 ADAPTER

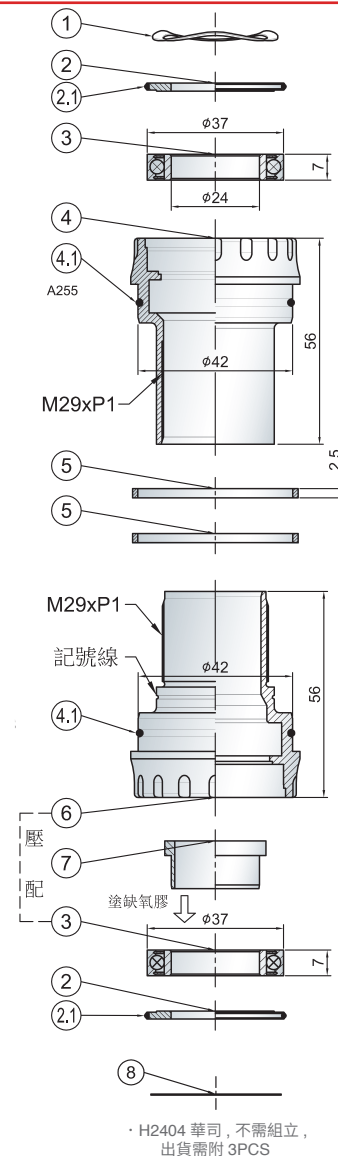
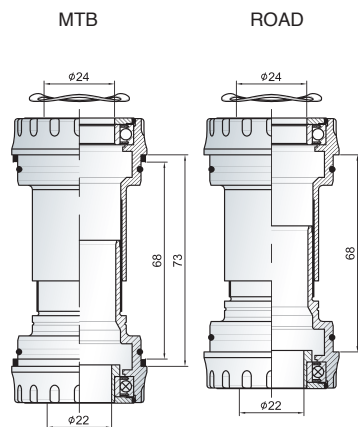


PT-6632GM

BB 30 adpter for SRAM
 BB 30 transform into BB24/22 L/R cup, for MTB/ROAD
 w/seals cartridge bearings
 Compatible with SRAM groups
 Center Threaded lock on design

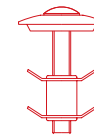
型號 MODEL NO.	零件料號 Item No.	材質 MATERIAL
PT-6632GM	R451	SUJ2
PT-6632GMCB	R451A	Ceramic

NO.	零件名稱 ITEM NAME	零件料號 ITEM NO.	材質 MATERIAL	數量 QTY
1	彈簧墊片 / SPRING WASHER	H2212	K7	1PCS
2	鋁墊片 / SPACER	B637	AL6061	2PCS
2.1	O 型圈 / O-RING	A296	Rubber	2PCS
3	培林 / BBEARING	R451	-	2PCS
4	6632FM 右碗 / CUP-R	B247-2	AL6061	1PCS
4.1	O 型圈 / O-RING	A255	Rubber	2PCS
5	42 鋁墊圈 / SPACER	B611	AL6061	2PCS
6	6632GM 左碗 / CUP-L	B248-3	AL6061	1PCS
7	鋁襯套 / BUSHING	B658	AL7075	1PCS
8	華司 / WASHER	H2404	SUS430	3PCS
	附 BB 說明書	B-22	-	1PCS

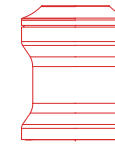


· H2404 華司，不需組立，出貨需附 3PCS

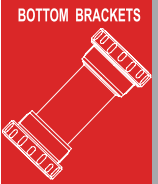
BB30 ADAPTER



ACCESSORIES



HEADSET

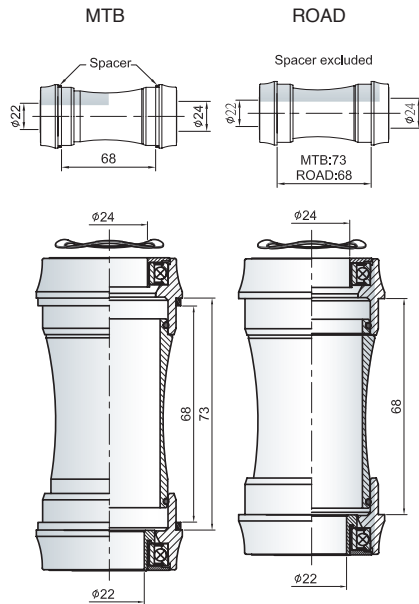


PT-6632DM

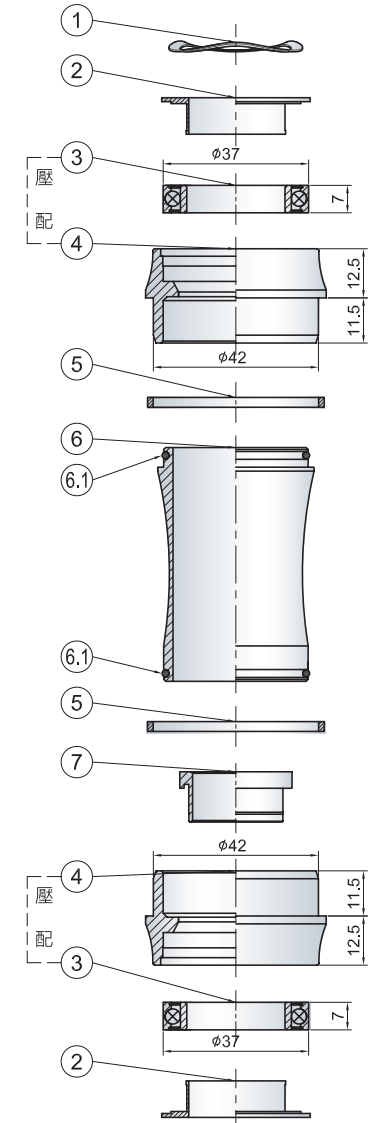
B30 Adapter for SRAM

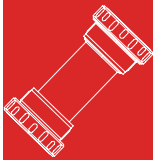
CNC machined alloy cups
 Alloy shell
 L/R cup OD42mm
 BB30 for transform into 24/24, Pressfit for MTB/ROAD
 Compatible with shimano groups
 Anodized available
 PT-6632DMCB ceramic bearings

型號 MODEL NO.	零件料號 Item No.	材質 MATERIAL
PT-6632DM	R414	SUJ2
PT-6632DMCB	R414A	Ceramic

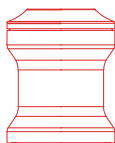


NO.	零件名稱 ITEM NAME	零件料號 ITEM NO.	材質 MATERIAL	數量 QTY
1	彈簧墊片 / SPRING WASHER	H2212	K7	1PCS
2	防水圈 / SEAL	A266	Nylon	2PCS
3	6805 培林 / BEARING	-	-	2PCS
4	6632DM 鋁碗 / CUP	B228	AL6061	2PCS
5	42 鋁墊圈 / SPACER	B611	AL6061	2PCS
6	EX-5 中管 / SHELL	B572	AL6061	1PCS
6.1	O 型圈 / O-RING	A255	Rubber	2PCS
7	6630 鋁襯套 / BUSHING	B609	AL7075	1PCS
	附 BB 說明書	B-11	-	1PCS

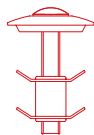




HEADSET



ACCESSORIES



BB86 / BB92

PT-6624AT



FOR SHIMANO

PT-6624ATM



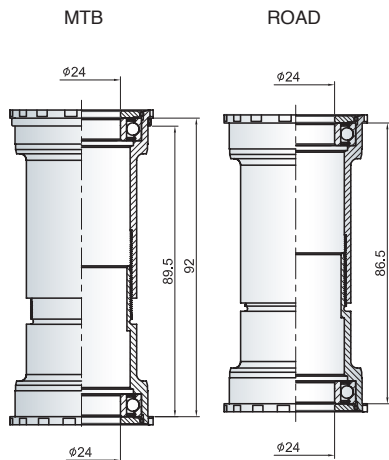
FOR SRAM



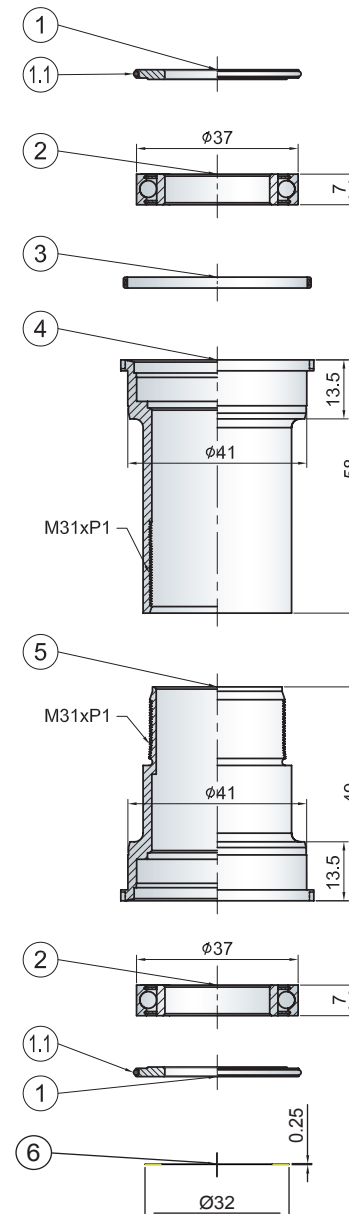
BB86/92 for 24mm cranksets

CNC machined alloy cups
 L/R cups OD41mm
 Double Sealed cartridge bearing
 BB86/92 Pressfit for ROAD/MTB(SHIMANO)
 Weight: 113g
 Anodized available
 Center shell W/Threaded locking on design

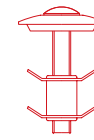
型號 MODEL NO.	零件料號 Item No.	材質 MATERIAL
PT-6624AT	R451	SUJ2
PT-6624ATCB	R451A	Ceramic



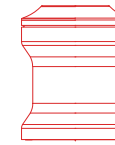
NO.	零件名稱 ITEM NAME	零件料號 ITEM NO.	材質 MATERIAL	數量 QTY
1	鋁墊片 (Ø37.5* Ø24.05* 2.2) / SPACER	B637	AL6061	2PCS
1.1	O 型圈 / O-RING	A296	Rubber	2PCS
2	培林 / BEARING	-	-	2PCS
3	44 鋁墊圈 / SPACER	B613	AL6061	1PCS
4	6624AT 右碗 / CUP-R	B258	AL6061	1PCS
5	6624AT 左碗 / CUP-L	B259	AL6061	1PCS
6	華司 WASHER	H2404	SUS430	1PCS
	附 BB 說明書	B-30	-	1PCS



BB86 / BB92

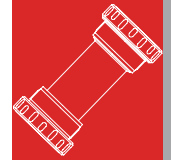


ACCESSORIES



HEADSET

BOTTOM BRACKETS



PT-6624



FOR SHIMANO

PT-6623

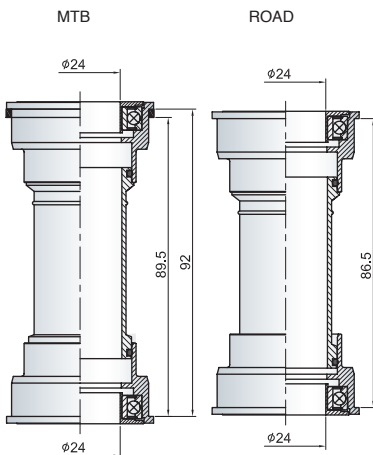


FOR SRAM

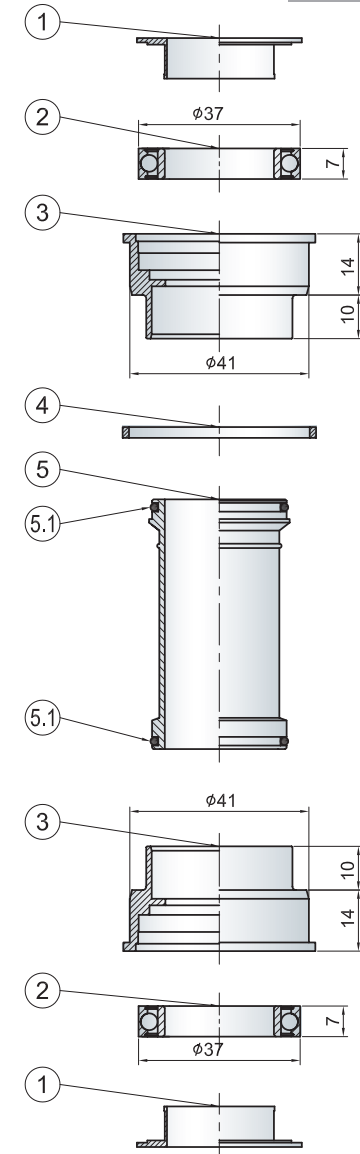
BB86/92 for 24mm cranksets

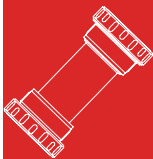
Forged alloy and CNC machined cups
 Double sealed cartridge bearings
 Plastic shell
 BB86/92 Pressfit for ROAD/MTB(SHIMANO)
 Anodized available
 Option: PT-6624CB ceramic bearings

型號 MODEL NO.	零件料號 Item No.	材質 MATERIAL
PT-6624	R414	SUJ2
PT-6624CB	R414A	Ceramic

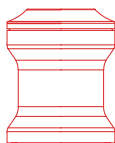


NO.	零件名稱 ITEM NAME	零件料號 ITEM NO.	材質 MATERIAL	數量 QTY
1	防水圈 / SEAL	A266	Nylon	2PCS
2	6805 培林 / BEARING	-		2PCS
3	41 軸承碗 / CUP	B214-1	AL6061	2PCS
4	44 鉛墊圈 / SPACER	B613	AL6061	1PCS
5	中管 / SHELL	B567-2	黑 PC	1PCS
5.1	O 型圈 / O-RING	A269	Rubber	2PCS
	附 BB 說明書	B-03	-	1PCS

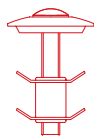




HEADSET



ACCESSORIES



BB86 / BB92



PT-6624D



FOR SHIMANO

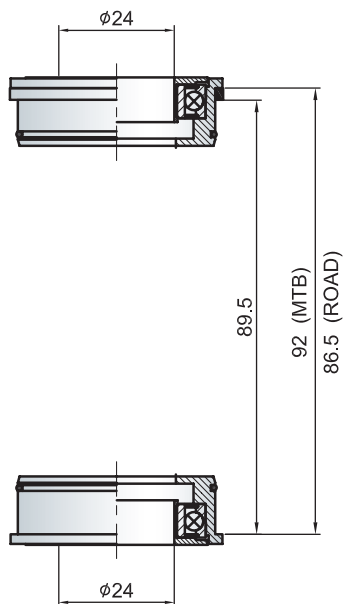
PT-6623D



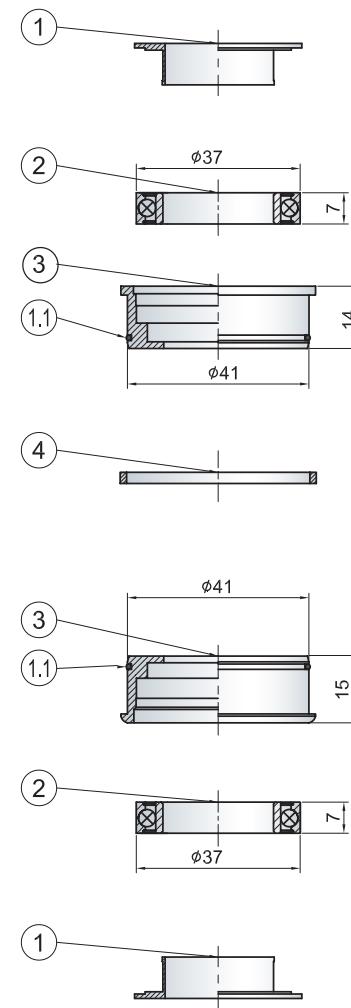
FOR SRAM

Forged alloy and CNC machined cups
 Double sealed cartridge bearings
 w/O shell
 For BB86/92 Pressfit / SHIMANO system
 Weight:72g
 Anodized available
 Option: PT-6624CB ceramic bearings

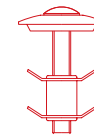
型號 MODEL NO.	零件料號 Item No.	材質 MATERIAL
PT-6624D	R414	SUJ2
PT-6624DCB	R414A	Ceramic



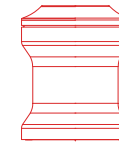
NO.	零件名稱 ITEM NAME	零件料號 ITEM NO.	材質 MATERIAL	數量 QTY
1	防水圈 / SEAL	A266	Nylon	2PCS
2	6805 培林 / BEARING	-	-	2PCS
3	6624D 鋁碗 / CUP	B227	AL6061	2PCS
3.1	O 型圈 / O-RING	A296	Rubber	2PCS
4	44 鋁墊圈 / SPACER	B613	AL6061	1PCS



BB86 / BB92

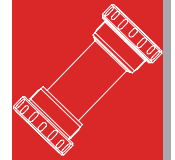


ACCESSORIES



HEADSET

BOTTOM BRACKETS



PT-6624P



FOR SHIMANO

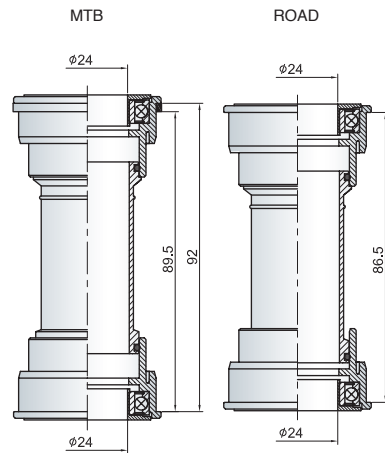
PT-6623P



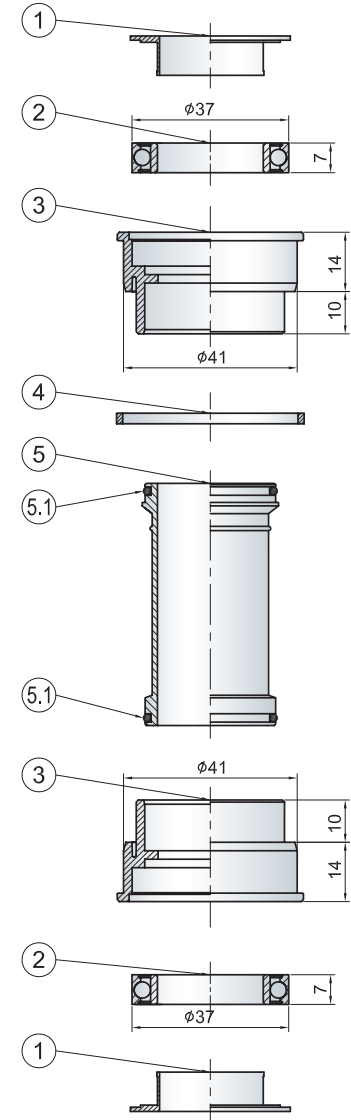
FOR SRAM

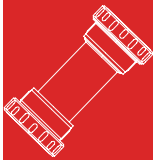
Plastic cups
Double sealed cartridge bearings
Plastic shell
BB86/92 Press fit for SHIMANO (MTB/ROAD)
Weight:77g

型號 MODEL NO.	零件料號 Item No.	材質 MATERIAL
PT-6624P	R414	SUJ2
PT-6624PCB	R414A	Ceramic

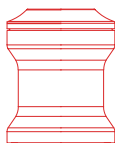


NO.	零件名稱 ITEM NAME	零件料號 ITEM NO.	材質 MATERIAL	數量 QTY
1	防水圈 / SEAL	A266	Nylon	2PCS
2	6805 培林 / BEARING	-	-	2PCS
3	41 尼龍軸承碗 / CUP	B229	Nylon N6	2PCS
4	44 鋁墊圈 / SPACER	B613	AL6061	1PCS
5	中管 / SHELL	B567-2	黑 PC	1PCS
5.1	O 型圈 / O-RING	A269	Rubber	2PCS
	附 BB 說明書	B-03	-	1PCS

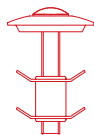




HEADSET



ACCESSORIES



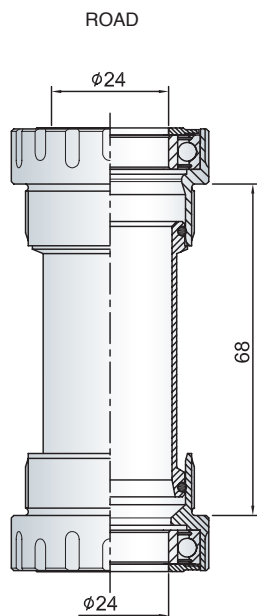
External BB



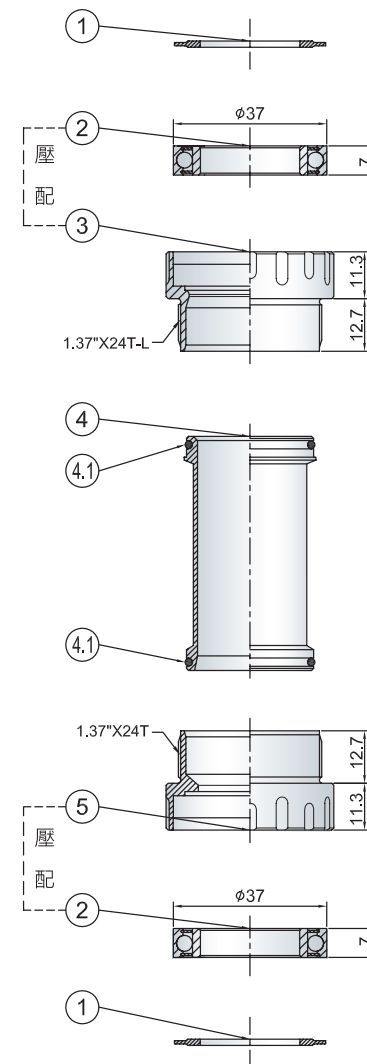
PT-6628S

For SHIMANO BB R60
 Weight:92g
 compatible BC1.37" x 24T Frame Forged alloy&CNC
 machined cups alloy shell w/double o-ring seals
 Double sealed cartridge bearings
 Anodized color

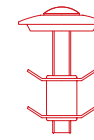
型號 MODEL NO.	零件料號 Item No.	材質 MATERIAL
PT-6628S	R451	SUJ2
PT-6628SCB	R451A	Ceramic



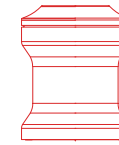
NO.	零件名稱 ITME NAME	零件料號 ITEM NO.	材質 MATERIAL	數量 QTY
1	鋁墊片 / SPACER	B646	AL6061	2PCS
2	培林 / BEARING	-	-	2PCS
3	6628S 反牙碗 / CUP	B262	AL6061	1PCS
4	6628 中管 / SHELL	B559	AL6061	1PCS
4.1	O 型圈 / O-RING	A269	Rubber	2PCS
5	6628S 正牙碗 / CUP	B263	AL6061	1PCS



External BB

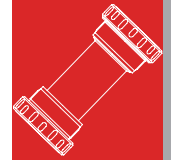


ACCESSORIES



HEADSET

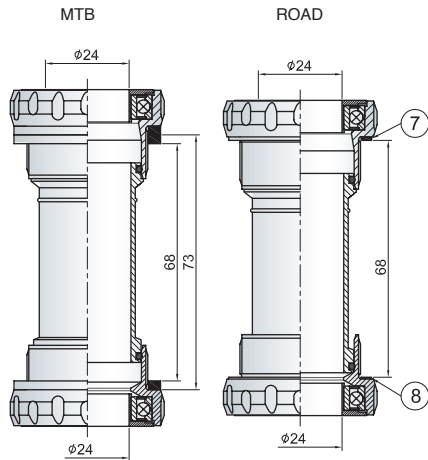
BOTTOM BRACKETS



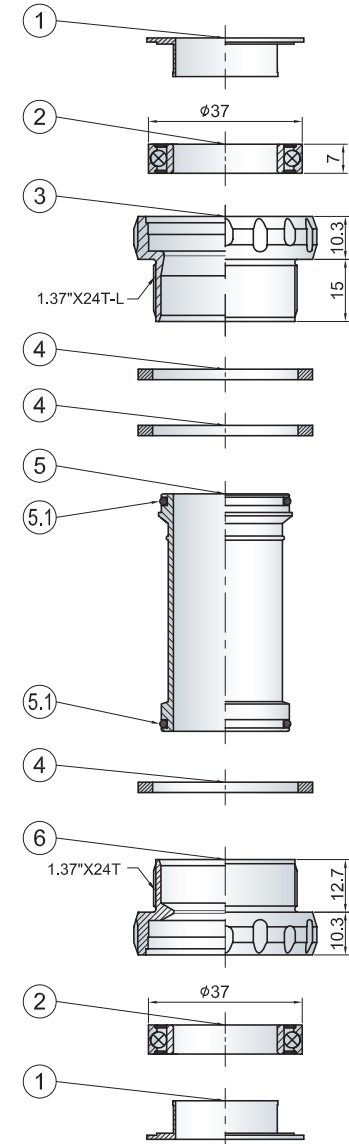
PT-6629D

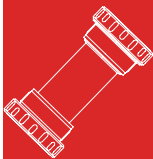
BC 1.37" x 24T-68 and 73mm width
 Plastic shell
 Double Sealed cartridge Bearings
 Anodized color available
 Compatible with SHIMANO groups (MTB/ROAD)
 Option: 6629DCB ceramic bearings

型號 MODEL NO.	零件料號 Item No.	材質 MATERIAL
PT-6629D	R414	SUJ2
PT-6629DCB	R414A	Ceramic

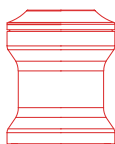


NO.	零件名稱 ITEM NAME	零件料號 ITEM NO.	材質 MATERIAL	數量 QTY
1	防水圈 / SEAL	A266	Nylon	2PCS
2	6805 培林 / BEARING	-	-	2PCS
3	6629 反牙碗 / CUP	B209-10	AL6061	1PCS
4	鋁墊圈 / SPACER	B608	AL6061	3PCS
5	中管 / SHELL	B567-2	黑 PC	1PCS
5.1	O 型圈 / O-RING	A269	Rubber	2PCS
6	6629 正牙碗 / CUP	B209-9	AL6061	1PCS
7	墊圈 (Ø41* Ø35* 1.0) / WASHER	B614	SUS	1PCS
8	墊圈 (Ø41* Ø35* 0.5) / WASHER	B615	SUS	1PCS
	附 BB 說明書	B-04	-	2PCS

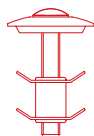




HEADSET



ACCESSORIES



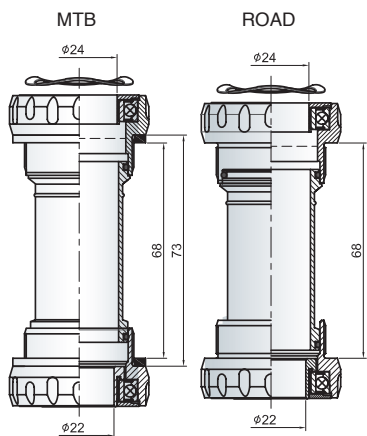
External BB



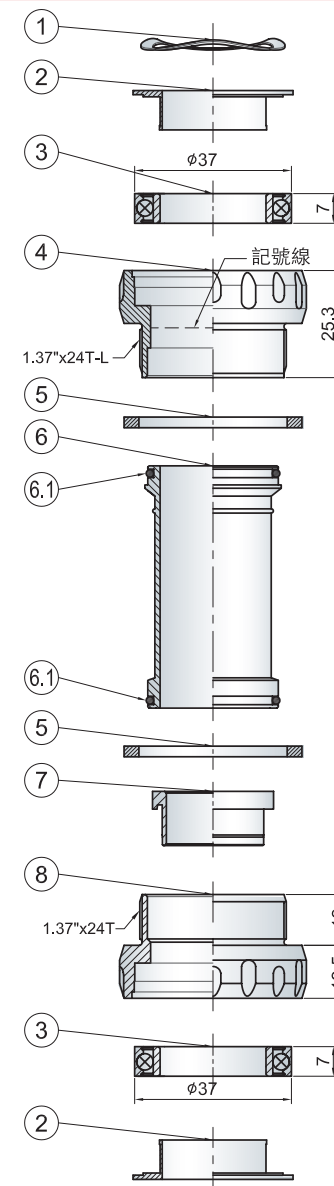
PT-6630D

BC 1.37" x 24T-68 and 73mm width
 Plastic shell
 Double Sealed cartridge Bearings
 Anodized color available
 Compatible with SRAM groups (MTB/ROAD)
 Option: PT-6630DCB ceramic bearings

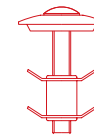
型號 MODEL NO.	零件料號 Item No.	材質 MATERIAL
PT-6630D	R414	SUJ2
PT-6630DCB	R414A	Ceramic



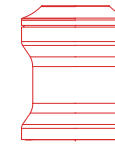
NO.	零件名稱 ITEM NAME	零件料號 ITEM NO.	材質 MATERIAL	數量 QTY
1	彈簧墊片 / SPRING WASHER	H2212	K7	1PCS
2	防水圈 / SEAL	A266	Nylon	2PCS
3	6805 培林 / BEARING	-	-	2PCS
4	6631 反牙碗 / CUP	B209-12	AL6061	1PCS
5	鋁墊圈 / SPACER	B608	AL6061	2PCS
6	中管 / SHELL	B567-2	黑 PC	1PCS
6.1	O 型圈 / O-RING	A269	Rubber	2PCS
7	6630 鋁襯套 / BUSHING	B609	AL7075	1PCS
8	6631 正牙碗 / CUP	B209-11	AL6061	1PCS
	附 BB 說明書	B-05	-	1PCS



External BB

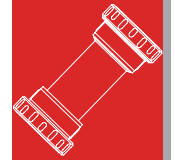


ACCESSORIES



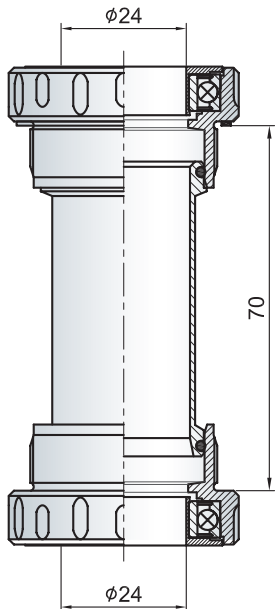
HEADSET

BOTTOM BRACKETS



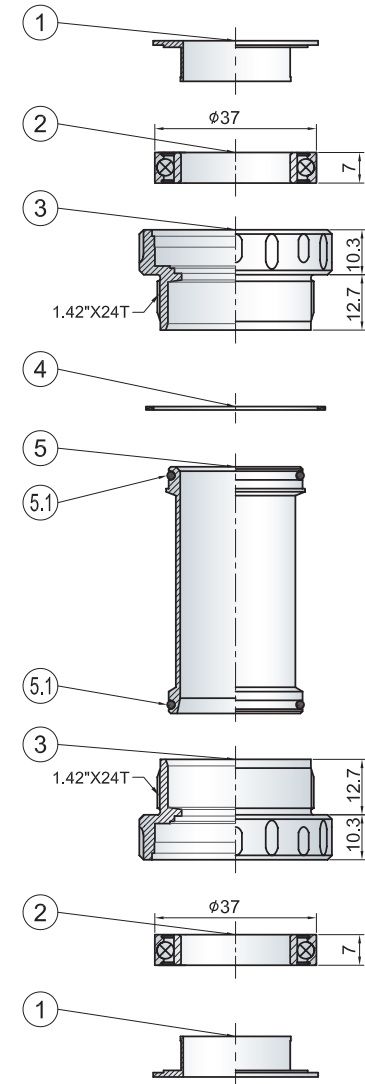
PT-66281

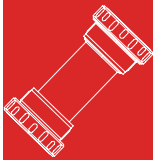
ITA.36mm□24T-70mm shell
 Double sealed cartridge bearings
 Weight:108g



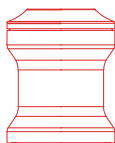
型號 MODEL NO.	零件料號 Item No.	材質 MATERIAL
PT-66281	R414	SUJ2
PT-66281CB	R414A	Ceramic

NO.	零件名稱 ITEM NAME	零件料號 ITEM NO.	材質 MATERIAL	數量 QTY
1	防水圈 / SEAL	A266	Nylon	2PCS
2	6805 培林 / BEARING	-	-	2PCS
3	6628I 牙碗 / CUP	B208-3	AL6061	2PCS
4	油封圈 / SEAL	A263	Nylon	1PCS
5	6628 中管 / SHELL	B559	AL6061	1PCS
5.1	O 型圈 / O-RING	A269	Rubber	2PCS

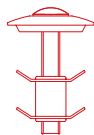




HEADSET



ACCESSORIES



SQUARE COTTERLESS BB



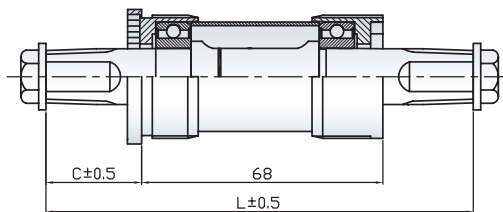
PT-6621A

2 pcs cartridge sealed bearings
 BC 1.37 x 24T
 Cold-forged Alloy cups / water seal
 Alloy body
 10B21 CNC machined axle
 Full set AL6061 CNC machined Alloy

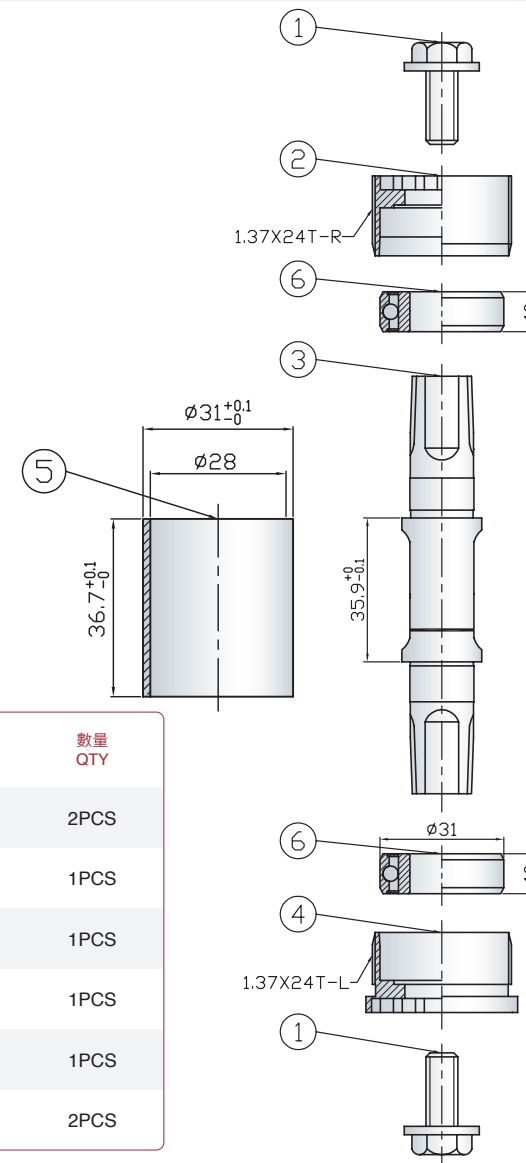


Bracket Width: 68

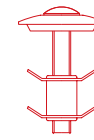
L	107.5	110.5	113.5	116	119	122.5	124.5	127.5
C	20.5	20.5	23	25	27	28	29.5	30.5



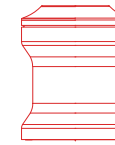
NO.	零件名稱 ITEM NAME	零件料號 ITEM NO.	材質 MATERIAL	數量 QTY
1	M8 外六角螺絲 / BLOT	B501	SCM	2PCS
2	6621A 正牙碗 / CUP-L	B207-B	AL6061	1PCS
3	B6621 心軸 / AXLE	B6621	10B21	1PCS
4	6621A 反牙碗 / CUP-R	B207-A	AL6061	1PCS
5	中套 / SHELL	B551	AL6061	1PCS
6	培林 / SEALED BEARING	R403	SUJ2	2PCS



SQUARE COTTERLESS BB

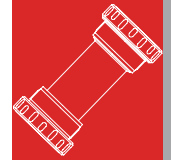


ACCESSORIES



HEADSET

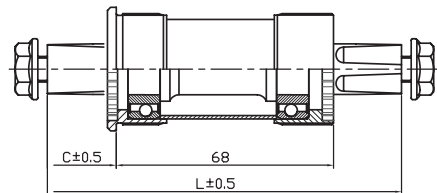
BOTTOM BRACKETS



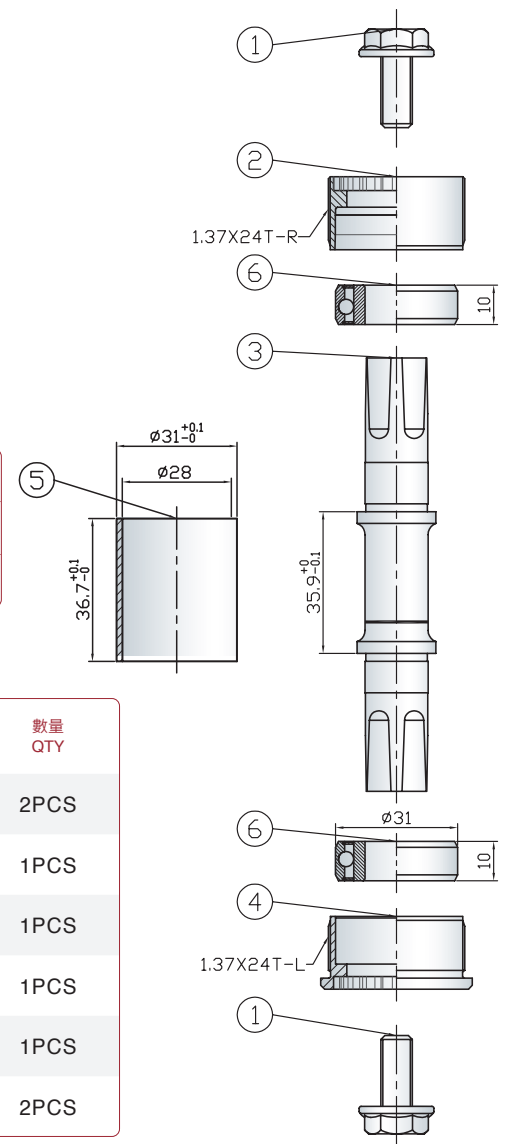
PT-6621

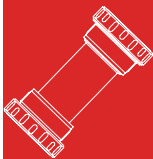
2 pcs cartridge sealed bearings
 BC 1.37 x 24T
 Cold-forged Steel cups / water seal
 Alloy body
 10B21 CNC machined solid black axle

Bracket Width: 68									
L	103	107.5	110.5	113.5	116	119	122.5	124.5	127.5
C	18	20.5	20.5	23	25	27	28	29.5	30.5

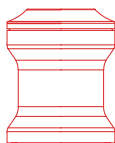


NO.	零件名稱 ITEM NAME	零件料號 ITEM NO.	材質 MATERIAL	數量 QTY
1	螺絲 / BLOT	B501	SCM	2PCS
2	6621 正牙碗 / CUP-L	B302-1	1008	1PCS
3	B6621 心軸 / AXLE	B6621	10B21	1PCS
4	6621 反牙碗 / CUP-R	B202-1	1008	1PCS
5	中套 / SHELL	B551	AL6061	1PCS
6	培林 / SEALED BEARING	R403	SUJ2	2PCS

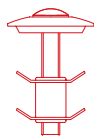




HEADSET



ACCESSORIES



SQUARE COTTERLESS BB

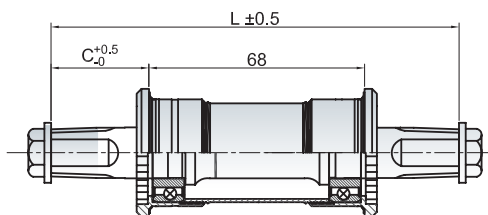


PT-6622

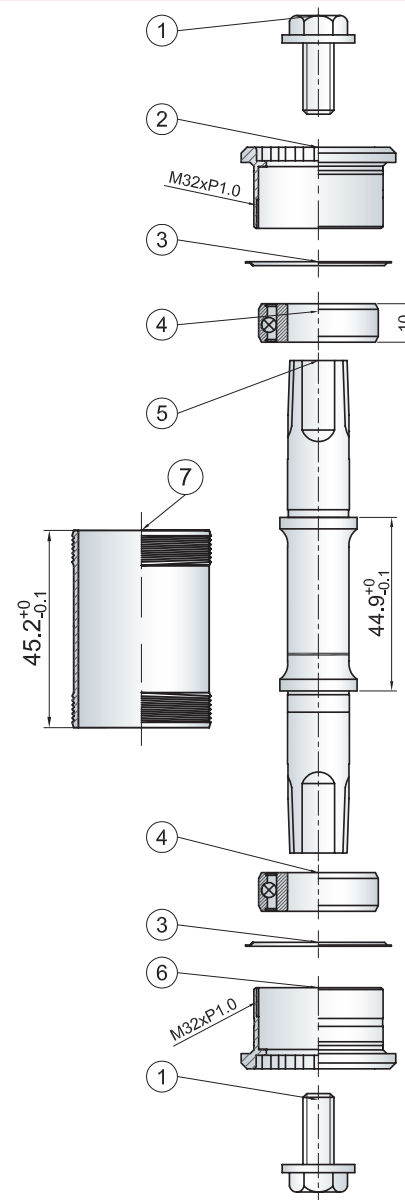
Threadless
 Threadless cartridge type BB
 Cartridge sealed bearings
 Cold-forged steel cups/water seals
 Steel shell
 10B21 CNC machined solid black axle

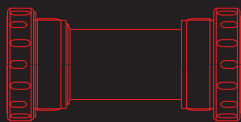
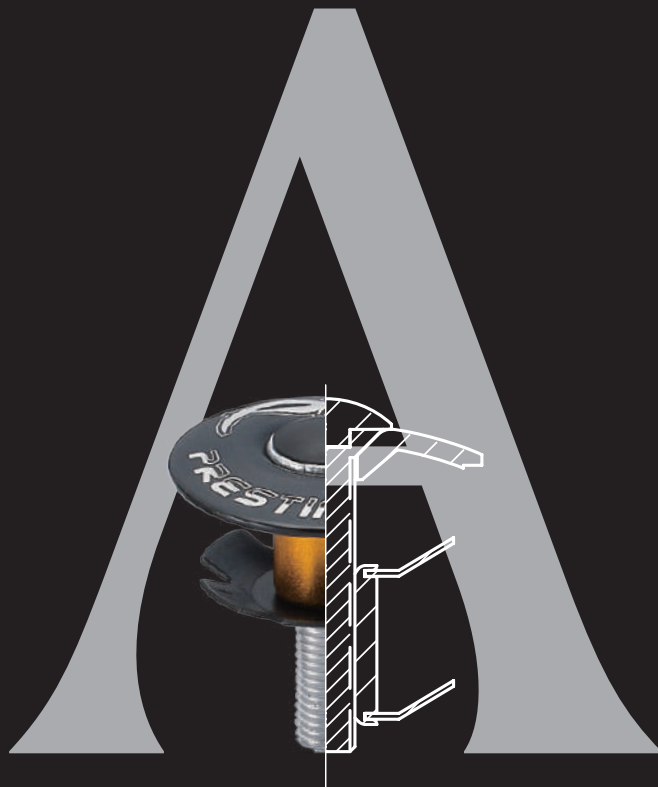
Bracket Width: 68

L	107.5	110.5	113.5	116	119	122.5	124.5	126.5	127.5
C	20.5	20.5	23	25	27	28	29.5	31.5	30.5



NO.	零件名稱 ITEM NAME	零件料號 ITEM NO.	材質 MATERIAL	數量 QTY
1	M8 外六角螺絲 / BLOT	B501	SCM	2PCS
2	6622 左碗 / CUP-L	B202-3	1008	1PCS
3	止滑墊片 / SPACER	B607	AL6061	2PCS
4	培林 / SEALED BEARING	R403	SUJ2	2PCS
5	B6622 心軸 / AXLE	B6622	10B21	2PCS
6	6622 右碗 / CUP-R	B202-2	1008	1PCS
7	6622 中套 / SHELL	B553	1008	1PCS





ACCESSORIES

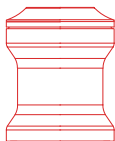
YANTEC INDUSTRIES INC.



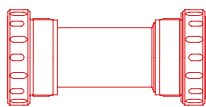
PRESTINE



HEADSET



BOTTOM BRACKETS

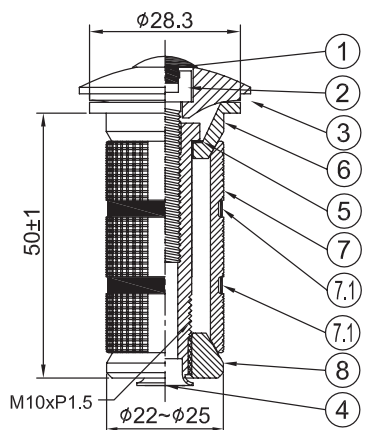


EXPANDERS

PT-1708 SERIES

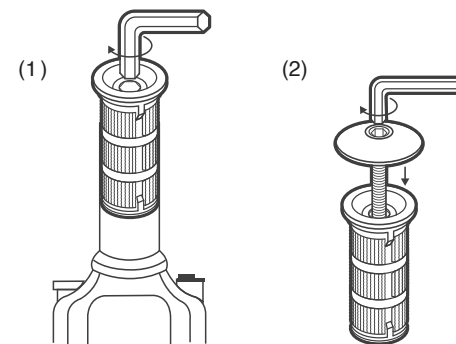


SUPER LIGHT EXPANDER



PAT. NO.

M558751 Taiwan
 202017105932 Germany
 ZL201721090275.4 China



How to Use

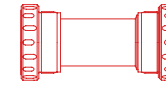
1. Put expander into front fork, and tighten it with allen key.
2. Tighten top cap on stem.

1. Available for ID 22~25 range.
2. Light weight, full set made by Alloy.
3. 3 piece design for better tighten force.
4. Length option: L: 50mm, L: 65mm, L: 90mm
5. Appearance by cross lines, or better tighten force.
6. 3 seperate point design for upper compression and lower compression, the compression force will be move evenly.

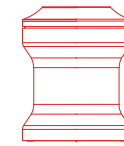
NO.	零件名稱 ITEM NAME	零件料 ITEM NO.	材質 MATERIAL	數量 QTY
1	塑膠塞 / PLACTIC PLUG	L1101	Rubber	1PCS
2	M6x1.0x30L 螺絲 / BOLT	-	-	1PCS
3	1 1/8" 鋁頂 / TOP CAP	-	-	1PCS
4	M10x1.5 中空螺絲 M6x1.0 / HOLLOW BOLT	L1052	AL6061	1PCS
5	白鐵華司 (ø14xø10.5x0.3) / WASHER	H2213	SUS304	1PCS
6	三凸上壓 / UPPER COMPRESSION	L2105-1	AL6061	1PCS
7	中套 / SHELL	L4124-1	AL6061	2PCS
7.1	彈簧片圈 / SPRING	A299	SUS301	2PCS
8	3凸下壓 / LOWER COMPRESSION	L3107	AL6061	1PCS

MODEL NO.			② BOLT		③ TOP CAP			①	
L: 50mm	L: 65mm	L: 90mm	零件料號 Item No.	材質 Material	零件料號 Item No.	材質 Material	塑膠塞 Plastic Plug	CAP	
PT-1708	PT-1708H	PT-1708HL	L1002	SCM	L5101	S			Alloy Cap
PT-1708A	PT-1708HA	PT-1708HLA	L1059	AL2024	L5104A-1	AL6061			Super Light Cap
PT-1708C	PT-1708HC	PT-1708HLC	L1057	SCM	L5104A-1	AL6061			Super Light Cap
PT-1708D	PT-1708HD	PT-1708HLD	L1057	SCM	L5107	AL6061			Alloy Light Cap
PT-1708F	PT-1708HF	PT-1708HLF	L1057	SCM	L5114-1	AL6061			Flat Cap
PT-1708CF	PT-1708HCF	PT-1708HLCF	L1055	SUS	L5102	Carbon			Full Carbon Cap

EXPANDERS SERIES



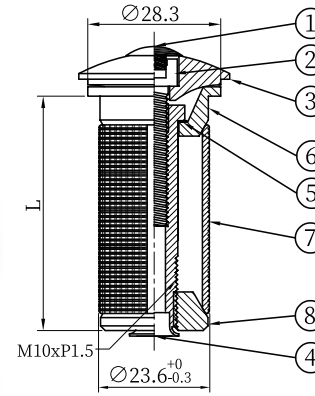
BOTTOM BRACKETS



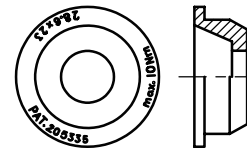
HEADSET



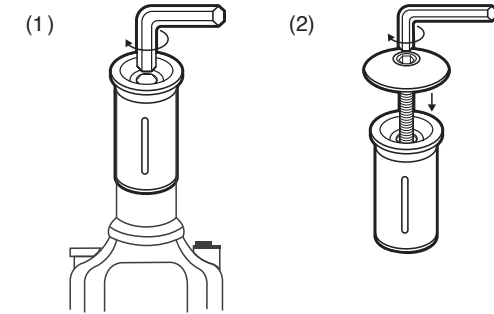
PT-1722 SERIES



10Nm



鐫刻No.= 000-802-014



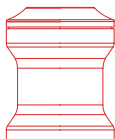
How to Use

1. Put expander into front fork, and tighten it with allen key.
2. Tighten top cap on stem.
3. For steerer IDØ23.2~24.3

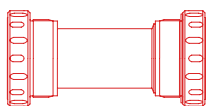
NO.	零件名稱 ITEM NAME	零件料 ITEM NO.	材質 MATERIAL	數量 QTY	MODEL NO.				② BOLT		③ TOP CAP		①		
					L: 25 mm	L: 50mm	L: 65mm	L: 90mm	零件料號 Item No.	材質 Material	零件料號 Item No.	材質 Material	塑膠塞 Plastic Plug	CAP	
1	塑膠塞 / PLACTIC PLUG	L1101	Rubber	1PCS	PT-1722	PT-1722L	PT-1722H	PT-1722HL	L1002	SCM	L5101		AL6061		Alloy Cap
2	M6x1.0x30L 螺絲 / BOLT	-	-	1PCS	PT-1722A	PT-1722LA	PT-1722HA	PT-1722HLA	L1059	AL2024	L5104A-1		AL6061		Super Light Cap
3	1 1/8" 鋁頂 / TOP CAP	-	-	1PCS	PT-1722C	PT-1722LC	PT-1722HC	PT-1722HLC	L1057	SCM	L5104A-1		AL6061		Super Light Cap
4	M10x1.5 中空螺絲 M6x1.0 / HOLLOW BOLT	-	AL6061	1PCS	PT-1722D	PT-1722LD	PT-1722HD	PT-1722HLD	L1057	SCM	L5107		AL6061		Alloy Light Cap
5	白鐵華司 (ø14xø10.5x0.3) / WASHER	H2213	SUS304	1PCS	PT-1722F	PT-1722LF	PT-1722HF	PT-1722HLF	L1057	SCM	L5114-1		AL6061		Flat Cap
6	鋁上壓 10Nm / UPPER COMPRESSION	L2102	AL6061	1PCS	PT-1722CF	PT-1722LCF	PT-1722HCF	PT-1722HLCF	L1055	SUS	L5102		Carbon	-	Full Carbon Cap
7	中套 / SHELL	-	AL6061	1PCS											
8	鋁下壓 / LOWER COMPRESSION	L3102	AL6061	1PCS											



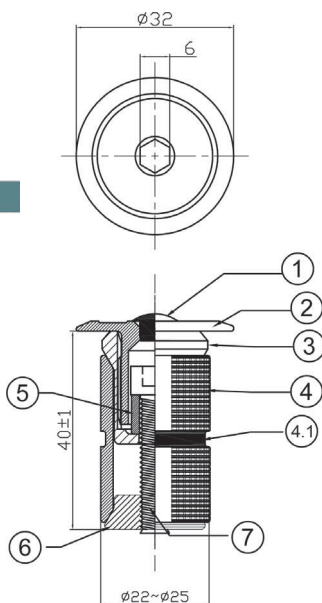
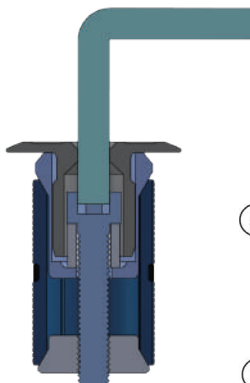
HEADSET



BOTTOM BRACKETS



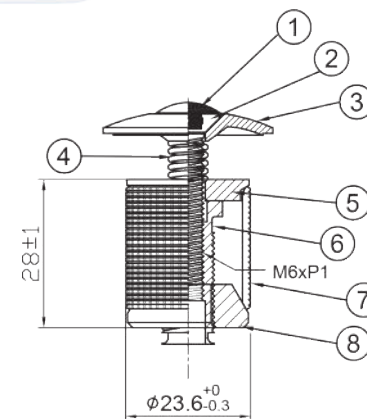
PT-1724



1. Available for steerer ID 22~25 range.
2. Light weight 36g full set made by Alloy.
3. 3 piece design for better tighten force.
4. Length L:40mm
5. It can be tightened the expander in one step.

NO.	零件名稱 ITEM NAME	零件料 ITEM NO.	材質 MATERIAL	數量 QTY
1	塑膠塞 / RUBBER	H8404	PVC	1PCS
2	1 1/8" 鋁頂 / TOP CAP	L5203	AL6061	1PCS
3	鋁上壓 / UPPER COMPRESSION	L2108	AL6061	1PCS
4	中套 / SHELL	L435-1	AL6061	1PCS
4.1	彈簧片圈 / SPRING	A299	SUS301	1PCS
5	鋁墊圈 / WASHER	H2221	AL6061	1PCS
6	鋁下壓 / LOWER COMPRESSION	L3109	AL6061	1PCS
7	M6 x 1.0 x 30L 螺絲 / BLOT	L1002	SCM	1PCS

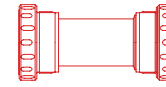
PT-1725



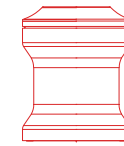
1. 1 1/8" alloy cap
2. With alloy expander w/spring design.
3. weight:30g

NO.	零件名稱 ITEM NAME	零件料 ITEM NO.	材質 MATERIAL	數量 QTY
1	塑膠塞 / PLASTIC PLUG	L1101	Rubber	1PCS
2	M6x1.0x30L 螺絲 / BOLT	L1057	SCM	1PCS
3	1 1/8" 鋁頂 / TOP CAP	L5104A-1	AL6061	1PCS
4	彈簧 / SPRING	L1163	AL6061	1PCS
5	上壓 / UPPER COMPRESSION	L4132	SUS304	1PCS
6	中空螺絲 / HOLLOW SCREW	489-L1051A	AL6061	1PCS
7	中套 / SHELL	L4131-5	AL6061	1PCS
8	下壓 / LOWER COMPRESSION	L3102	AL6061	1PCS

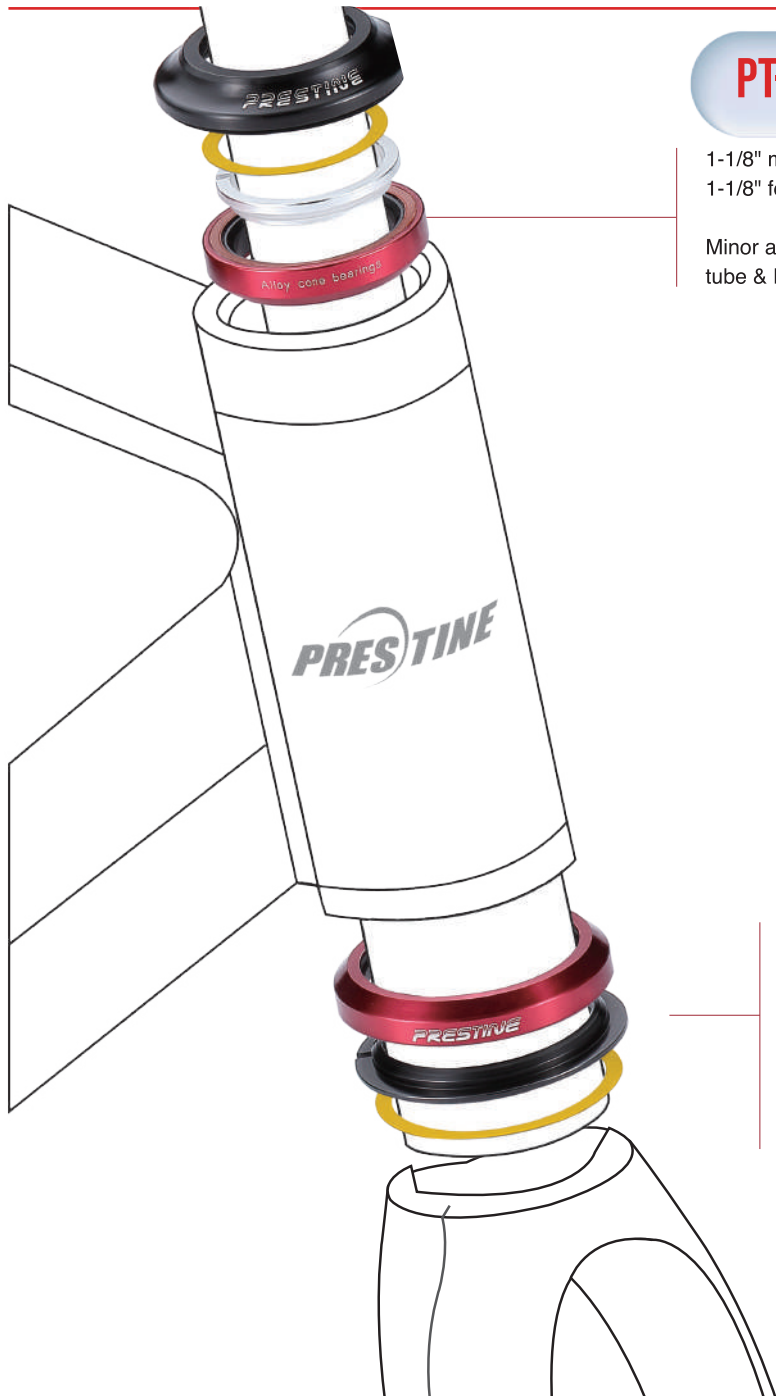
MICRO SPACER



BOTTOM BRACKETS



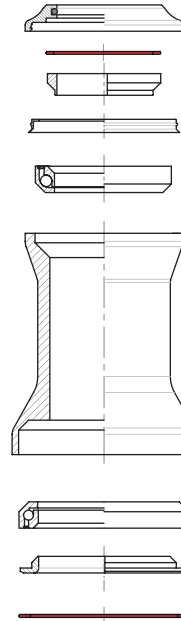
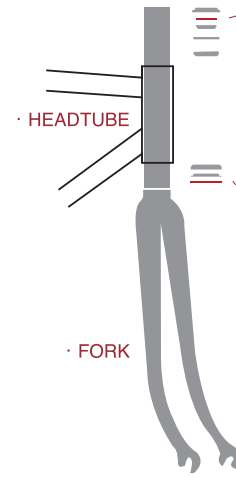
HEADSET



PT-67M

1-1/8" micro spacer, T: 0.25mm, ID: 28.6mm
 1-1/8" fork steerer

Minor adjustable for space between Upper Head tube & Headset top cover



PT-67B

MICRO SPACER / T: 0.25mm
 ID: 30.2mm, for 1-1/8" Crown race / fork bottom
 ID: 33.2mm, for 1-1/4" Crown race / fork bottom
 ID: 40mm, for 1.5" Crown race / fork bottom

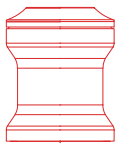
Minor adjustable for space between bottom head tube & fork crown.

STEEL/ T: 0.25mm

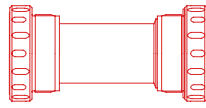




HEADSET



BOTTOM BRACKETS



SPACER



PT-67A

ALLOY 28.6x3mm
28.6x5mm
28.6x8mm
28.6x10mm
28.6x15mm
28.6x20mm



PT-67C

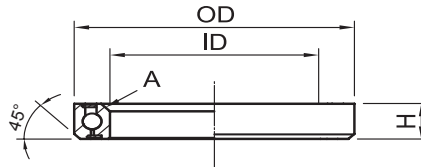
CARBON 28.6x5mm
28.6x10mm
28.6x15mm
28.6x20mm



PT-67UD

UD CABON 28.6x5mm
28.6x10mm
28.6x15mm
28.6x20mm

BEARINGS



R401



R403



R407



R408 / R408A



R408B



R409



R411



R411B



R412



R413 / R413B



R414 / R414A



R415



R418



R418B



R418M



R422



R424



R424B



R425



R425B



R425M



R426S/R426



R427



R429



R430



R431



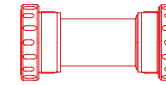
R432



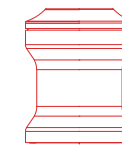
R433



BEARINGS



BOTTOM BRACKETS



HEADSET



R401	Sealed AC Bearing (OD:41 x ID:30.1 x H:6.5 x A:36°)
R403	Sealed Cartridge Bearing (OD:31 x ID:16 x H:10)
R407	Sealed Cartridge Bearing (OD:39 x ID:30.2 x H:6.5)
R408	Sealed AC Bearing (OD:41 x ID:30.1 x H:6.5 x A:45°)
R408A	Sealed AC Ceramic Bearing (OD:41 x ID:30.1 x H:6.5 x A:45°)
R408B	Sealed AC Bearing (OD:41 x ID:30.1 x H:6.5 x A:45°) w/High-heat Blackening
R409	Sealed Cartridge Bearing (OD:31 x ID:21.5 x H:7)
R411	Sealed AC Bearing (OD:39 x ID:30.1 x H:6.5 x A:45°)
R411B	Sealed AC Bearing (OD:39 x ID:30.1 x H:6.5 x A:45°) w/High-heat Blackening
R412	Sealed AC Bearing (OD:41.8 x ID:30.1 x H:6.5 x A:45°)
R413/R413B	Sealed AC Bearing (OD:52 x ID:40 x H:7 x A:45°) R413B w/High-heat Blackening
R414	Sealed Cartridge Bearing (OD:37 x ID:25 x H:7)
R414A	Sealed Cartridge Ceramic Bearing (OD:37 x ID:25 x H:7)
R415	Needle Bearing (OD:41.7 x ID:30.1 x H:9 x A:45°)
R418	Sealed AC Bearing (OD:41.8 x ID:30.5 x H:8 x A:45°)
R418B	Sealed AC Bearing (OD:41.8 x ID:30.5 x H:8 x A:45°) w/High-heat Blackening
R418M	Sealed AC Bearing (OD:41.8 x ID:30.5 x H:8 x A:45°) w/Blackening
R422	Sealed Cartridge Bearing (OD:31 x ID:21.5 x H:14)
R424	Sealed AC Bearing (OD:46.9 x ID:34.1 x H:7 x A:45°)
R424B	Sealed AC Bearing (OD:46.9 x ID:34.1 x H:7 x A:45°) w/High-heat Blackening
R425	Sealed AC Bearing (OD:51.8 x ID:40 x H:8 x A:45°)
R425B	Sealed AC Bearing (OD:51.8 x ID:40 x H:8 x A:45°) w/High-heat Blackening
R425M	Sealed AC Bearing (OD:51.8 x ID:40 x H:8 x A:45°) w/Blackening
R426S	Stainless Sealed AC Bearing (OD:52 x ID:40 x H:7 x A:36°)Stainless steel
R426	Sealed AC Bearing (OD:52 x ID:40 x H:7 x A:36°)

R427	Sealed AC Bearing (OD:38 x ID:27.1 x H:6.5 x A:36°)
R429	Sealed AC Bearing (OD:49 x ID:37 x H:7 x A:36°)
R430	Cartridge Ball Bearing (OD:41.8 x ID:30.5 x H:7.7 x A:45°)
R431	Cartridge Ball Bearing (OD:41 x ID:30.5 x H:7.7 x A:45°)
R432	Sealed AC Bearing (OD:38 x ID:27.1 x H:6.5 x A:45°)
R433	Sealed Cartridge Bearing (OD:42 x ID:30 x H:7)
R433A	Sealed Cartridge Ceramic Bearing (OD:42 x ID:30 x H:7)
R437	Sealed AC Bearing (OD:52 x ID:40 x H:8 x A:45°) Double seal
R438S	Stainless Sealed AC Bearing (OD:51.8 x ID:40 x H:8 x A:36°)Stainless stell
R438	Stainless Sealed AC Bearing (OD:51.8 x ID:40 x H:8 x A:36°)
R443	Sealed AC Bearing (OD:41.8 x ID:32.7 x H:6 x A:45°)
R446A	Sealed AC Bearing (OD:41.8 x ID:30.15 x H:8.4 x A:45°)
R447A	Sealed AC Bearing (OD:51.8 x ID:40 x H:8 x A:45°)
R448B	Sealed AC Bearing (OD:49 x ID:40 x H:6 x A:45°)w/Blackening w/High-heat Blackening
R449	Sealed AC Bearing (OD:41.8 x ID:30.5 x H:8 x A:36°)
R450	Sealed Cartridge Bearing (OD:30 x ID:17 x H:7)
R451	Sealed Cartridge Bearing (OD:37 x ID:24 x H:7)
R451A	Sealed Cartridge Ceramic Bearing (OD:37 x ID:24 x H:7)
R454	Sealed Cartridge Double Ball orbit Bearing (OD:41 x ID:30 x H:11.2)
R457B	Sealed AC Bearing (OD:52 x ID:42 x H:7 x A:45°) for 1.5" w/High-heat Blackening
R458B	Sealed AC Bearing (OD:60 x ID:46.5 x H:8 x A:45°) for 1.8" w/High-heat Blackening
R461	Sealed AC Bearing (OD:49.5 x ID:40.5 x H:6.5 x A:45°)
R462	Sealed AC Bearing (OD:44 x ID:38 x H:5.5 x A:36° / 45°)
R465B	Sealed AC Bearing (OD:51.8 x ID:40 x H:7 x 45° / 45°) w/High-heat Blackening

2024

01 JAN

Su	Mo	Tu	We	Th	Fr	Sa
	1	2	3	4	5	6
7	8	9	10	11	12	13
14	15	16	17	18	19	20
21	22	23	24	25	26	27
28	29	30	31			

02 FEB

Su	Mo	Tu	We	Th	Fr	Sa
				1	2	3
4	5	6	7	8	9	10
11	12	13	14	15	16	17
18	19	20	21	22	23	24
25	26	27	28	29		

03 MAR

Su	Mo	Tu	We	Th	Fr	Sa
				1	2	
3	4	5	6	7	8	9
10	11	12	13	14	15	16
17	18	19	20	21	22	23
24	25	26	27	28	29	30
31						



Taipei Cycle
2024/03/06-03/09
Taipei, Taiwan

04 APR

Su	Mo	Tu	We	Th	Fr	Sa
	1	2	3	4	5	6
7	8	9	10	11	12	13
14	15	16	17	18	19	20
21	22	23	24	25	26	27
28	29	30				



SEA OTTER CLASSIC
2024/04/18-04/21
California, USA

05 MAY

Su	Mo	Tu	We	Th	Fr	Sa
			1	2	3	4
5	6	7	8	9	10	11
12	13	14	15	16	17	18
19	20	21	22	23	24	25
26	27	28	29	30	31	



ASIABIKE
2024/04/30-05/04
Jakarta, Indonesia



China-Bicycle
2024/05/05-05/08
Shanghai, China

06 JUN

Su	Mo	Tu	We	Th	Fr	Sa
						1
2	3	4	5	6	7	8
9	10	11	12	13	14	15
16	17	18	19	20	21	22
23	24	25	26	27	28	29
30						



PRO-DAYS
2024/06/23-06/25
Paris, France

07 JUL

Su	Mo	Tu	We	Th	Fr	Sa
	1	2	3	4	5	6
7	8	9	10	11	12	13
14	15	16	17	18	19	20
21	22	23	24	25	26	27
28	29	30	31			



Eurobike
2024/07/03-07/07
Frankfurt Frankfurt, Germany

08 AUG

Su	Mo	Tu	We	Th	Fr	Sa
		1	2	3		
4	5	6	7	8	9	10
11	12	13	14	15	16	17
18	19	20	21	22	23	24
25	26	27	28	29	30	31

09 SEP

Su	Mo	Tu	We	Th	Fr	Sa
1	2	3	4	5	6	7
8	9	10	11	12	13	14
15	16	17	18	19	20	21
22	23	24	25	26	27	28
29	30					



Taichung Bike Week
2024/09/24-09/27
Taichung, Taiwan

10 OCT

Su	Mo	Tu	We	Th	Fr	Sa
	1	2	3	4	5	
6	7	8	9	10	11	12
13	14	15	16	17	18	19
20	21	22	23	24	25	26
27	28	29	30	31		

11 NOV

Su	Mo	Tu	We	Th	Fr	Sa
				1	2	
3	4	5	6	7	8	9
10	11	12	13	14	15	16
17	18	19	20	21	22	23
24	25	26	27	28	29	30

12 DEC

Su	Mo	Tu	We	Th	Fr	Sa
1	2	3	4	5	6	7
8	9	10	11	12	13	14
15	16	17	18	19	20	21
22	23	24	25	26	27	28
29	30	31				

2025

01 JAN

Su	Mo	Tu	We	Th	Fr	Sa
		1	2	3	4	
5	6	7	8	9	10	11
12	13	14	15	16	17	18
19	20	21	22	23	24	25
26	27	28	29	30	31	

02 FEB

Su	Mo	Tu	We	Th	Fr	Sa
						1
2	3	4	5	6	7	8
9	10	11	12	13	14	15
16	17	18	19	20	21	22
23	24	25	26	27	28	

03 MAR

Su	Mo	Tu	We	Th	Fr	Sa
						1
2	3	4	5	6	7	8
9	10	11	12	13	14	15
16	17	18	19	20	21	22
23	24	25	26	27	28	29
30	31					

04 APR

Su	Mo	Tu	We	Th	Fr	Sa
	1	2	3	4	5	
6	7	8	9	10	11	12
13	14	15	16	17	18	19
20	21	22	23	24	25	26
27	28	29	30			

05 MAY

Su	Mo	Tu	We	Th	Fr	Sa
				1	2	3
4	5	6	7	8	9	10
11	12	13	14	15	16	17
18	19	20	21	22	23	24
25	26	27	28	29	30	31

06 JUN

Su	Mo	Tu	We	Th	Fr	Sa
1	2	3	4	5	6	7
8	9	10	11	12	13	14
15	16	17	18	19	20	21
22	23	24	25	26	27	28
29	30					

07 JUL

Su	Mo	Tu	We	Th	Fr	Sa
	1	2	3	4	5	
6	7	8	9	10	11	12
13	14	15	16	17	18	19
20	21	22	23	24	25	26
27	28	29	30	31		

08 AUG

Su	Mo	Tu	We	Th	Fr	Sa
				1	2	
3	4	5	6	7	8	9
10	11	12	13	14	15	16
17	18	19	20	21	22	23
24	25	26	27	28	29	30
31						

09 SEP

Su	Mo	Tu	We	Th	Fr	Sa
	1	2	3	4	5	6
7	8	9	10	11	12	13
14	15	16	17	18	19	20
21	22	23	24	25	26	27
28	29	30				

10 OCT

Su	Mo	Tu	We	Th	Fr	Sa
		1	2	3	4	
5	6	7	8	9	10	11
12	13	14	15	16	17	18
19	20	21	22	23	24	25
26	27	28	29	30	31	

11 NOV

Su	Mo	Tu	We	Th	Fr	Sa
						1
2	3	4	5	6	7	8
9	10	11	12	13	14	15
16	17	18	19	20	21	22
23	24	25	26	27	28	29
30						

12 DEC

Su	Mo	Tu	We	Th	Fr	Sa
	1	2	3	4	5	6
7	8	9	10	11	12	13
14	15	16	17	18	19	20
21	22	23	24	25	26	27
28	29	30	31			

www.prestine.com.tw

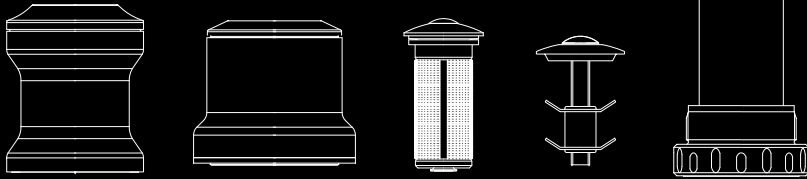
HEADSETS

BOTTOM BRACKETS

EXPANDER & TENSION ADJUSTER

ACCESSORIES

BEARINGS



PRESTINE

元城工業有限公司 YANTEC INDUSTRIES INC.

TEL 886-4-2559 1888 / FAX 886-4-2556 0168

421台中市后里區舊社路95-18號

No.95-18, Jiushe Rd., Houli Dist., Taichung City 421, Taiwan

prestine@ms77.hinet.net / service@prestine.com.tw

