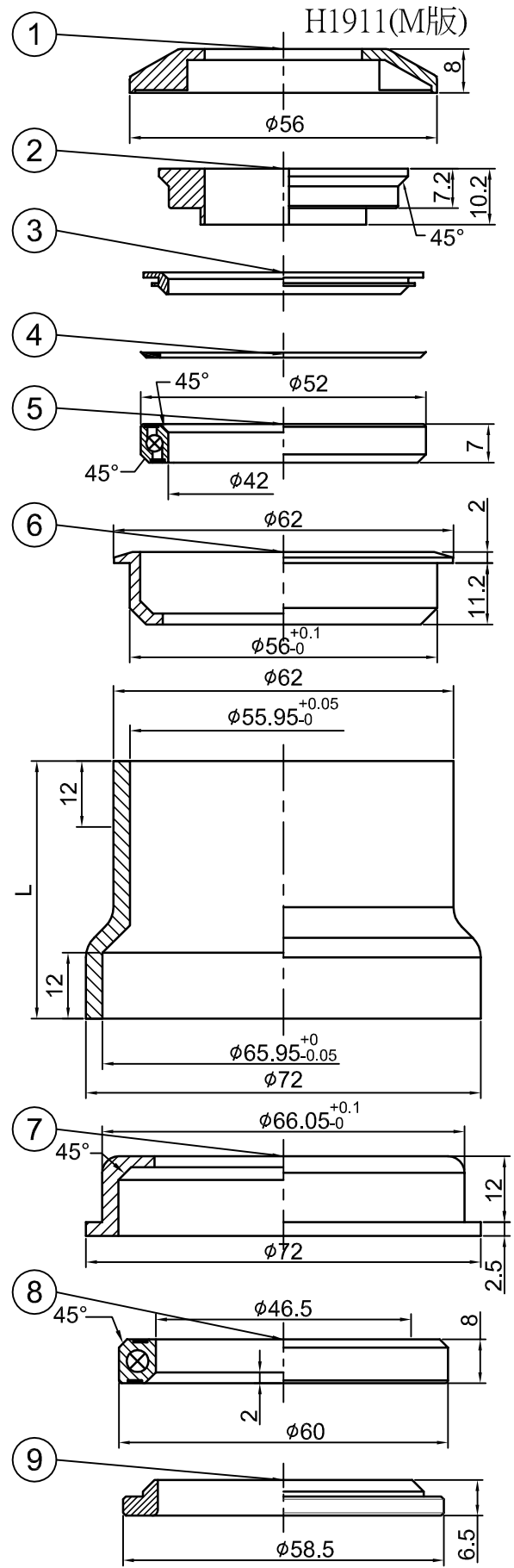


Stack Hight= 10.7+3.5=14.2±0.5



NO	零件名稱 (Item Name)		零件料號 (Item No)	材質 (Material)	數量 (Qty)
* 1	1 1/8"鋁上蓋 (穿線)	TOP COVER	H1911(M版)	AL6061	1PCS
* 2	束環 (穿線)上8.7用	COMPRESSION RING	H2868C-1	AL6061	1PCS
* 3	上塞 (上8.7用)	CROWN RACE	H3273	AL6061	1PCS
4	防水圈	SEAL	A277	Rubber	1PCS
5	軸承 (52X42X45°)	SEALED BEARING	R457	SUJ2	1PCS
* 6	56鋁軸承上碗	UPPER CUP	H4627	AL6061	1PCS
* 7	66 鋁軸承下碗	LOWER CUP	H5528	AL6061	1PCS
* 8	軸承 (60x46.5x8x45°)	SEALED BEARING	R458	SUJ2	1PCS
* 9	1.8"鋁下塞 (不剖溝)	CROWN RACE	H6432	AL7075	1PCS

<div style="display: flex; justify-content: space-between;"> <span>④</span> <span>PT-F18K</span> </div>					名稱
<div style="display: flex; justify-content: space-between;"> <span>③</span> <span>繪圖DRAWN BY 日期 DATE</span> <span>校對</span> </div>					
<div style="display: flex; justify-content: space-between;"> <span>②</span> <span>林美紅 1081202</span> <span>CHECKED BY</span> </div>					單位
<div style="display: flex; justify-content: space-between;"> <span>①</span> <span>設計DESIGNED BY 日期 DATE</span> </div>					
編號 NO	原有資料	修改資料	更改者 BY	日期 DATE	比例 SCALE
					1:1
元城工業有限公司					