

YANTEC INDUSTRIES INC.

Innovation  
Growth  
Sustainable

Innovation  
Precision

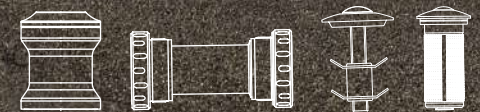
Quality

Service

# PRESTINE



# HEADSET BOTTOM BRACKETS ACCESSORIES GO GREEN

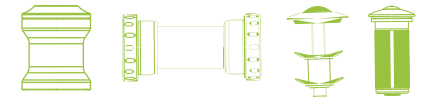


[www.prestine.com.tw](http://www.prestine.com.tw)

# PRESTINE

## HEADSET

- 01 CABLE INTERGRATION SYSTEM HEADSET
- 22 HEAVY DUTY HEADSETS
- 27 ANGLE LIMITED HEADSETS
- 31 INTEGRATED HEADSETS
- 40 1 1/8" - 1.5" INTERNAL HEADSETS
- 43 INTERNAL HEADSETS
- 49 THREADLESS HEADSETS



**GO GREEN**

Innovation  
Growth  
Sustainable

## BOTTOM BRACKETS

- 061 ECCENTRIC BB
- 062 DUB BB SYSTEM FOR 29 SPINDEL
- 071 T47BB M47 x P1.0 THREADED
- 077 PF30A24 / BB30A24 / BSABB30 / BB8630
- 087 BB386 / BB386 ADAPTER
- 094 PF30 / PF30 ADAPTER
- 100 BB30 ADAPTER
- 104 BB 36/ BB92 ADAPTER
- 108 EXTERNAL BB
- 113 SQUARE COTTERLESS BB

## ACCESSORIES

- 116 EXPANDERS
- 120 TENSION ADJUSTER
- 121 SPACER
- 122 BEARINGS
- 123 MICRO SPACERS

YANTEC INDUSTRIES INC.

## CABLE INTERGRATION SYSTEM HEADSET

PAGE	ITEM NUMBER	STEM ITEM NUMBER
01	PT-F28	ZS56/28.6   ZS56/40
02	PT-F27NC	ZS56/28.6   ZS56/40
03	PT-1868AW	IS52/28.6   IS52/40
04	PT1869AW	IS52/28.6   IS52/40
	PT-F13AW	ZS56/28.6   ZS56/40
10	PT-1863BW	IS52/28.6   IS52/40
11	PT-1864BW	IS52/28.6   IS52/40
	PT-F13BW	ZS56/28.6   ZS56/40
12	PT-1863CW	IS52/28.6   IS52/40
13	PT-1864CW	IS52/28.6   IS52/40
	PT-F13CW	ZS56/28.6   ZS56/40
14	PT-1863GW	IS52/28.6   IS52/40
15	PT-1864GW	IS52/28.6   IS52/40
	PT-F13GW	ZS56/28.6   ZS56/40
16	PT-1866A-078	IS52/28.6   IS52/40
17	PT-1866B-078	IS52/28.6   IS52/40
	PT-1866C-078	ZS56/28.6   ZS56/40
	PT-1866E-078	EC44/28.6   EC44/40
	PT-1866EC-078	ZS56/28.6   ZS56/40
	PT-1866F-078	ZS56/28.6   ZS66/45.8
18	PT-1865(N)	IS52/28.6   IS52/40
19	PT-1866(N)	IS52/28.6   IS52/40
	PT-F13KF(N)	ZS56/28.6   ZS56/40
20	PT-1863D(1864D)	IS52/28.6   IS52/40
21	PT-68 + H2409+ H2502	
	PT-1726EA	

## HEAVY DUTY HEADSET

PAGE	ITEM NUMBER	STEM ITEM NUMBER
22	PT-F16A	ZS56/28.6   ZS56/40
23	PT-F16C	ZS56/28.6   ZS56/40
	PT-F16D	ZS56/28.6   ZS56/40

## HEAVY DUTY HEADSET

PAGE	ITEM NUMBER	STEM ITEM NUMBER
24	PT-F18B	ZS56/28.6   ZS66/45.8
25	PT-F22	EC49/38.1   EC49/40
26	PT-F2A	ZS49/28.6   ZS49/30
	PT-F17	ZS44/28.6   ZS44/40

## ANGLE LIMITED HEADSET

PAGE	ITEM NUMBER	STEM ITEM NUMBER
27	PT-1808AB	ZS44/28.6   ZS56/40
28	PT-F26AB	ZS56/28.6   ZS56/40
29	PT-F27AB	ZS56/28.6   ZS56/40
30	PT-F27NCA	ZS56/28.6   ZS56/40

## INTEGRATED HEADSET

PAGE	ITEM NUMBER	STEM ITEM NUMBER
31	PT-1860K	IS42/28.6   IS52/40
32	PT-1860H	IS42/28.6   IS52/40
	PT-1860A(S)	IS42/28.6   IS52/40
	PT-1860(S)	IS42/28.6   IS52/40
33	PT-1860E(S)	IS42/28.6   IS52/40
	PT-F23	ZS42/28.6   ZS52/40
	PT-F23A	ZS42/28.6   ZS52/40
34	PT-1859A	IS42/28.6   IS47/33
35	PT-1859	IS42/28.6   IS47/33
	PT-1859H	IS42/28.6   IS47/33
36	PT-1851BA	IS42/28.6   IS42/30
37	PT-1851BH	IS42/28.6   IS42/30
	PT-1851B	IS42/28.6   IS42/30
	PT-1852B	IS42/28.6   IS42/30
38	PT-1851H	IS41/28.6   IS41/30
39	PT-1851	IS41/28.6   IS41/30
	PT-1852	IS41/28.6   IS41/30

## 1 1/8" - 1.5" INTERNAL HEADSET

PAGE	ITEM NUMBER	STEM ITEM NUMBER
40	PT-F13(S)	ZS44/28.6   ZS56/40
42	PT-F13H(S)	ZS44/28.6   ZS56/40
	PT-F13E	ZS44/28.6   ZS56/40
	PT-F13CH(S)	ZS44/28.6   ZS56/40
42	PT-F13C(S)	ZS44/28.6   ZS56/40
	PT-F13CP(S)	ZS44/28.6   ZS56/40
	PT-F13P(S)	ZS44/28.6   ZS56/40
	PT-F13B(S)	ZS44/28.6   ZS56/40

## INTERNAL HEADSET

PAGE	ITEM NUMBER	STEM ITEM NUMBER
43	PT-1808D	ZS44/28.6   ZS44/30
44	PT-1808H	ZS44/28.6   ZS44/30
45	PT-1808S	ZS44/28.6   ZS44/30
	PT-1808G	ZS44/28.6   ZS44/30
	PT-1808HE	ZS44/28.6   ZS44/30
	PT-1806E	ZS44/28.6   ZS44/30
	PT-1805H	ZS44/28.6   ZS44/30
46	PT-1805A	ZS44/28.6   ZS44/30
	PT-1805P	ZS44/28.6   ZS44/30
	PT-1805	ZS44/28.6   ZS44/30
	PT-1800H	ZS44/28.6   ZS44/30
	PT-1800P	ZS44/28.6   ZS44/30
	PT-1800	ZS44/28.6   ZS44/30

## INTERNAL THREADED HEADSET

PAGE	ITEM NUMBER	STEM ITEM NUMBER
47	PT-1805TF	ZS44/28.6-26tpi   ZS44/30
48	PT-1808TF	ZS44/28.6-26tpi   ZS44/30
	PT-1805TL	ZS44/28.6-26tpi   ZS44/30
	PT-1805XT	ZS44/28.6-26tpi   ZS44/30

## INTERNAL THREADED HEADSET

PAGE	ITEM NUMBER	STEM ITEM NUMBER
48	PT-1805AT(NT)	ZS44/28.6-26tpi   ZS44/30
	PT-1805HT	ZS44/28.6-26tpi   ZS44/30
49	PT-1806ET	ZS44/28.6-26tpi   ZS44/30
	PT-1800AL(TL)	ZS44/28.6-26tpi   ZS44/30
	PT-1800AT(NT)	ZS44/28.6-26tpi   ZS44/30
	PT-1800T	ZS44/28.6-26tpi   ZS44/30

## THREADLESS HEADSET

PAGE	ITEM NUMBER	STEM ITEM NUMBER
50	PT-1767F	EC34/28.6   EC34/30
51	PT-1767D	EC34/28.6   EC34/30
	PT-1763B	EC34/28.6   EC34/30
	PT-1752	EC34/28.6   EC34/30
52	PT-1770	EC34/28.6   EC34/30
	PT-1609	EC34/28.6   EC34/30
	PT-1606	EC34/28.6   EC34/30
	PT-1602	EC34/28.6   EC34/30
53	PT-1209LD	EC34/25.4   EC34/30
54	PT-1209D	EC34/25.4   EC34/30
	PT-1207	EC34/25.4   EC34/30
	PT-1210A	EC34/25.4   EC34/30
	PT-1202	EC34/25.4   EC34/30
55	PT-1507	EC34/28.6-26tpi   EC34/30
56	PT-1508	EC34/28.6-26tpi   EC34/30
	PT-1502ANC	EC34/28.6-26tpi   EC34/30
	PT-1502AN	EC34/28.6-26tpi   EC34/30
57	PT-1502	EC34/28.6-26tpi   EC34/30
	PT-1105	EC30/25.4-24tpi   EC30/27
	PT-1107	EC30/25.4-24tpi   EC30/27
	PT-1103W	EC30/25.4-24tpi   EC30/27

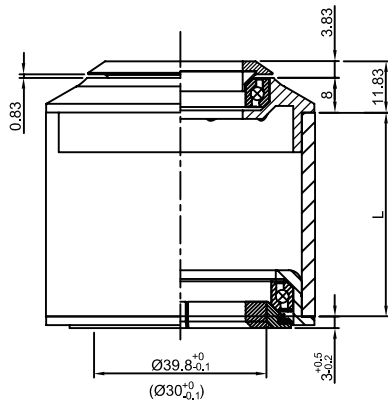
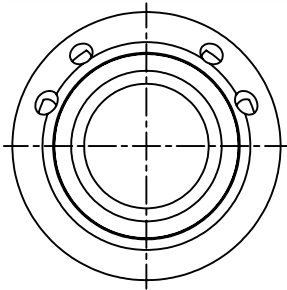
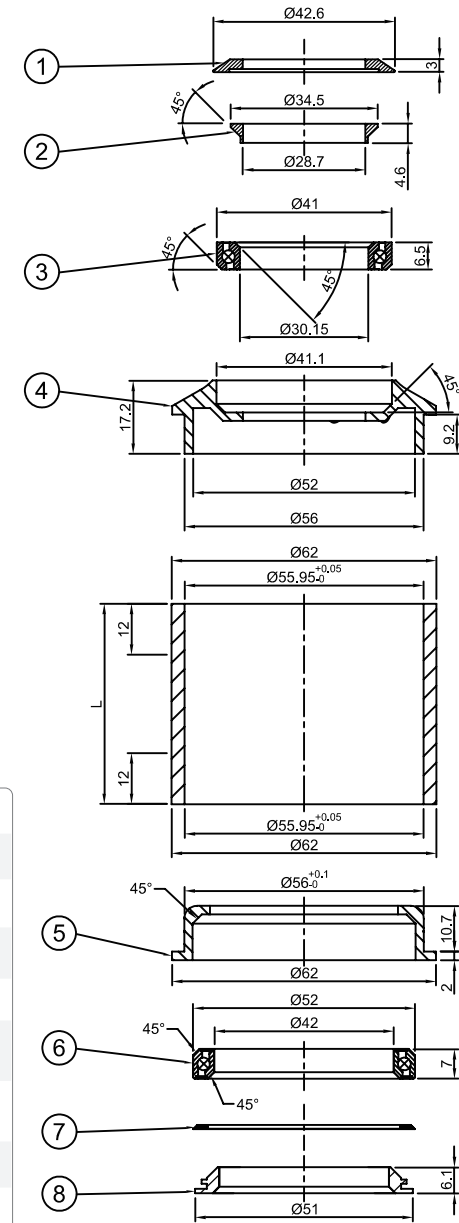


## PT-F28

ZS56/28.6 | ZS56/40

Internal Headset  $\Phi 28.6 \times 56 \times 56 \times 39.8$   
 1.5" upper/1.5" bottom head tube for tapered fork 1 1/8"-1.5"  
 Height :  $11.83+3=14.83$   
 Bearings : Sealed AC Bearings R408/R457B  
 Material : top cover AL6061 w/AL7075 crown race

ICR system : The cable passes through the outside of the bearing.  
 Easy to maintain and repair.



	型號 MODEL NO.	零件料號 Item No.	$\Phi D$	+0 -0.1
⑥	PT-F28-1	H6430-1	$\Phi 39.8$	+0 -0.1
	PT-F28-2	H6430-2	$\Phi 30.0$	+0 -0.1

NO.	零件名稱 ITEM NAME	零件料號 ITEM NO.	材質 MATERIAL	數量 QTY
1	上蓋 (穿線 / TOP COVER)	H1936	AL6061	1PCS
2	束環 (穿線) / COMPRESSION RING	H2874	AL6061	1PCS
3	軸承 / 41x30.1x45°x6.5 / SEALED BEARING	R408	SUJ2	1PCS
4	上碗 UPPER CUP	H4633	AL6061	1PCS
5	56 鋁軸承下碗 / LOWER CUP	H5527	AL6061	1PCS
6	軸承 / 52x42x45°x7 / SEALED BEARING	R457B	SUJ2	1PCS
7	防水圈 / SEAL	A277	Rubber	1PCS
8	鋁下塞 / CROWN RACE	-	AL7075	1PCS



## F27NC

ZS56/28.6 | ZS56/40

Internal Headset  $\Phi 28.6 \times 56 \times 39.8$   
 1.5" upper / 1.5" bottom head tube for taperd fork 1 1/8"-1.5"  
 Height : 12+3=15mm  
 Weight : 147.6g  
 Bearings: Sealed AC Bearings R457B  
 Material: Plastic cover w/TPR seal, AL6061 cups & AL7075 crown race  
 Finish: Anodized

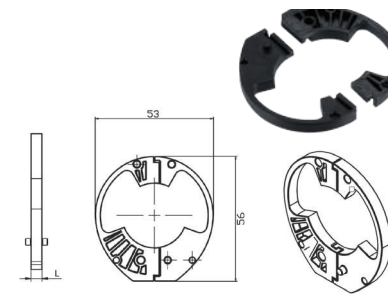


With ZOOM ICR stem **TDS-D651-8FDV**  
 With LEADTEC ICR stem **LC5-7151**  
**TDS-D659-8FDV**

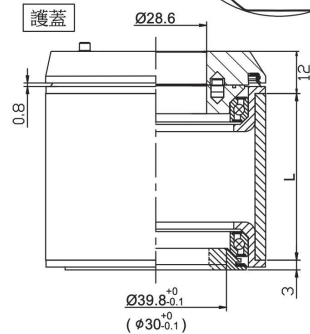
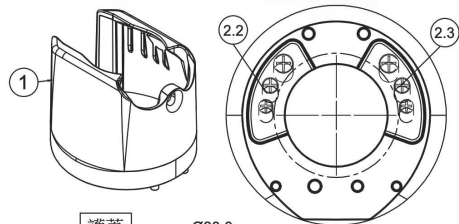
型號 MODEL NO.	零件料號 Item No.	ØD	+0 -0.1
⑥ PT-F27NC-1	H6430-1	ø39.8	+0 -0.1
PT-F27NC-2	H6430-2	ø30.0	+0 -0.1

NO.	零件名稱 ITEM NAME	零件料號 ITEM NO.	材質 MATERIAL	數量 QTY
1	護蓋 / PROTECTIVE COVER	H1933	Nylon	1PCS
2	1 1/8" 鋁上蓋 (穿線 / TOP COVER	H1932	Nylon	1PCS
2.1	防水圈 / SEAL	A301	Rubber	1PCS
2.2	防水塞 -L / SEAL	A304L	TPR	1PCS
2.3	防水塞 -R / SEAL	A304R	TPR	1PCS
3	束環 (穿線) / COMPRESSION RING	H2891	AL6061	1PCS
3.1	PIN 柱銷 / FIXING PIN	H7602	AL6061	2PCS
4	軸承 / 52x42x45°x7 / SEALED BEARING	R457B	SUJ2	2PCS
5	56 鋁軸承下碗 / LOWER CUP	H5527	AL6061	1PCS
6	防水圈 / SEAL	A277	Rubber	1PCS
7	鋁下塞 / CROWN RACE	-	AL7075	1PCS
8	56 鋁軸承下碗 / LOWER CUP	L1097	SCM	1PCS

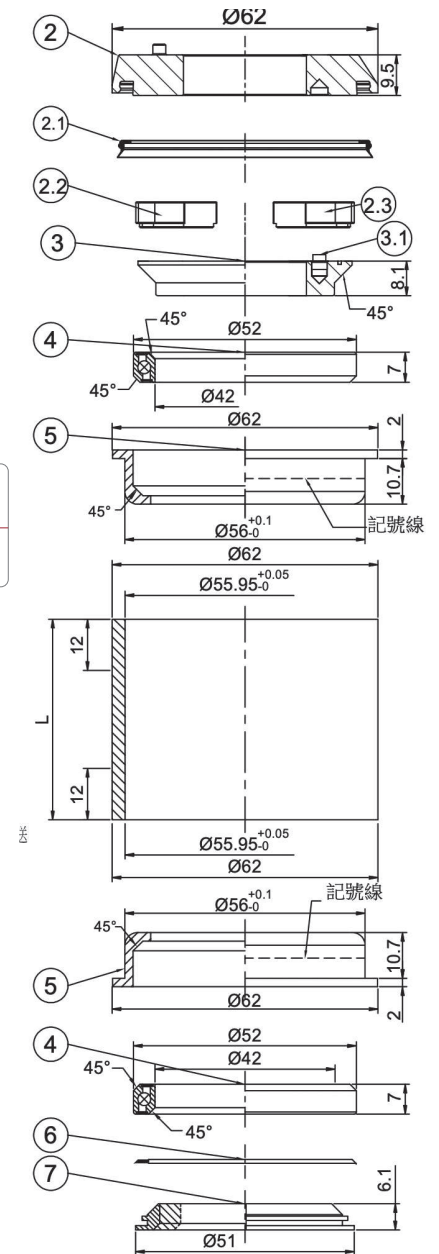
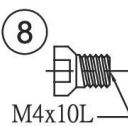
## PT-70



零件名稱 Item Name	零件料號 Item No.	材質 Material	數量 Qty
墊圈 / 5mm Road Spacer	H2223-5	Nylon	2PCS



Stack Hight=12+3=15±0.5





**TDS-D651-8FOV**



**TDS-D659-8FOV**



**LCS-7151**



	<b>TREKKING</b>	<b>TREKKING</b>	<b>TREKKING</b>
<b>STEM</b>	TDS-D651-8FOV	TDS-D659-8FOV	LCS-7151
<b>SPACER</b>	PT-70 (5mm)	PT-70 (5mm)	PT-70 (5mm)
<b>STEM COVER</b>	H1933	H1933	H1933
<b>HEADSET</b>	PT-F27NC	PT-F27NC	PT-F27NC

# HEADSET

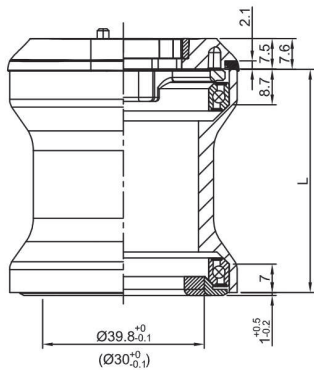
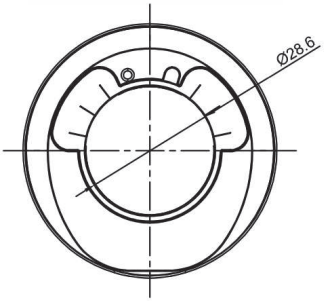
YANTEC INDUSTRIES INC.

INTERNAL CABLE ROUTING SYSTEM

## PT-1868AW

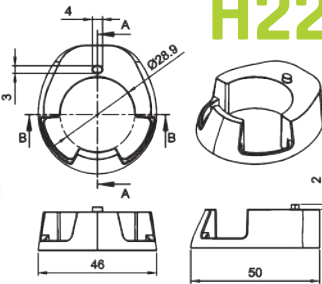
IS52/28.6 | IS52/40

Integrated Headset  $\Phi 28.6 \times 52 \times 39.8$   
 1.5 upper / 1.5 bottom head tube for tapered fork 1 1/8"-1.5"  
 Height : 7.6+1=8.6mm  
 Bearings: Sealed AC Bearings R457B  
 Material: Plastic top cover w/Rubber seal,  
 AL7075 crown race  
 Finish: Anodized



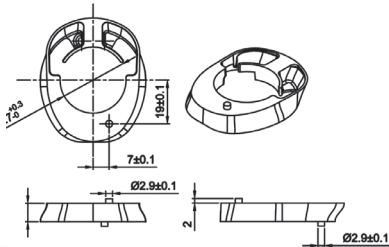
Stack Hight=7.6+1=8.6±0.5

## H2240



TDS-D647-8FOV  
 TM-AL-21-8

## H2239

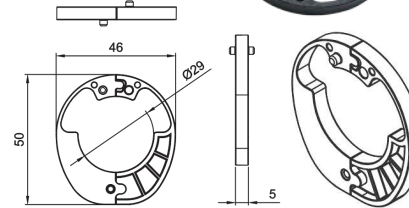


With KALLOY ICR stem  
**ASIC4006**  
**ASIC038**

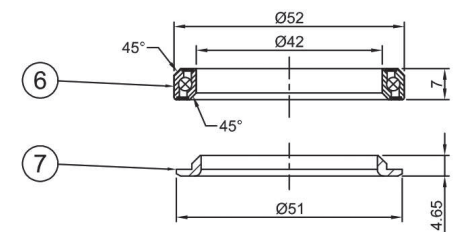
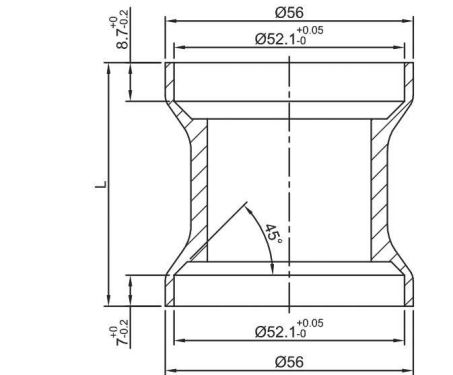
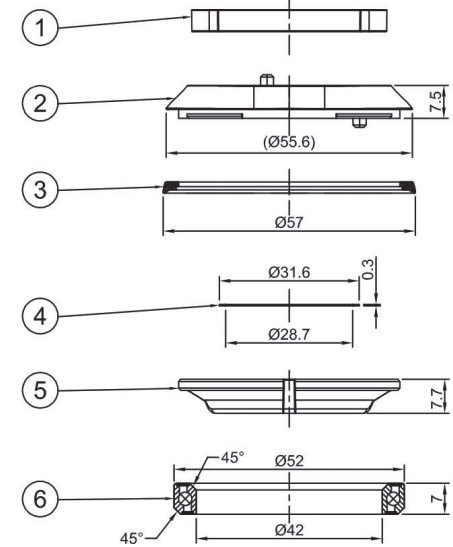


With ZOOM ICR stem  
**TDS-RD650-8FOV**  
**TDS-RD650-8-35**  
**TM-D58-8**  
**TM-RD58-8**

## PT-71



零件名稱 Item Name	零件料號 Item No.	材質 Material	數量 Qty
墊圈 / 5mm Road Spacer	H2236	PA6+30%GF	2PCS



型號 MODEL NO.	零件料號 Item No.	\(\Phi\)	+0 -0.1
PT-1868AW-1	H6420-1	\(\Phi 39.8	+0 -0.1
PT-1868AW-2	H6421-2	\(\Phi 30.0	+0 -0.1

NO.	零件名稱 ITEM NAME	零件料號 ITEM NO.	材質 MATERIAL	數量 QTY
1	防水塞 / RUBBER PLUG	A306	Rubber	1PCS
2	上蓋 / TOP COVER	H1945	Nylon	1PCS
3	防水圈 / SEAL	A303	Rubber	1PCS
4	塑膠華司 / WASHER	H2409	PVC	1PCS
5	束環 (穿線) / COMPRESSION RING	H2894	Nylon	1PCS
8	軸承 / 52x42x45°x7 / SEALED BEARING	R457B	SUJ2	2PCS
7	鋁下塞 / CROWN RACE	-	AL7075	1PCS

T

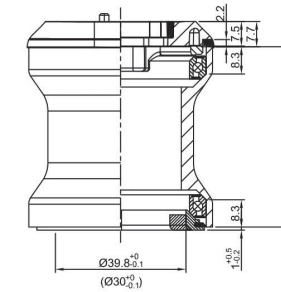
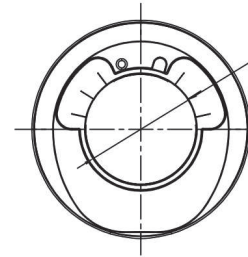
**PRESTINE**



## PT-1869AW

IS52/28.6 | IS52/40

Integrated Headset  $\Phi 28.6 \times 52 \times 39.8$   
 1.5 upper / 1.5 bottom head tube for tapered fork 1 1/8"-1.5"  
 Height :  $7.7 + 1 = 8.7 \text{ mm}$   
 Bearings: Sealed AC Bearings R457B  
 Material: Plastic top cover w/Rubber seal, AL7075 crown race  
 Finish: Anodized  
Headtube Bearing Seat depth upper 8.3 lower 8.3



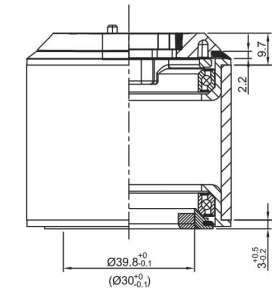
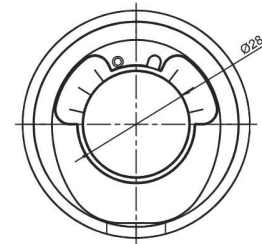
Stack Hight= $7.7 + 1 = 8.7 \pm 0.5$



## PT-F13AW

ZS56/28.6 | ZS56/40

Internal Headset  $\Phi 28.6 \times 56 \times 39.8$   
 1.5 upper / 1.5 bottom head tube for tapered fork 1 1/8"-1.5"  
 Height :  $9.7 + 3 = 12.7 \text{ mm}$   
 Bearings: Sealed AC Bearings R457B  
 Material: Plastic top cover w/Rubber seal, AL7075 crown race  
 Finish: Anodized

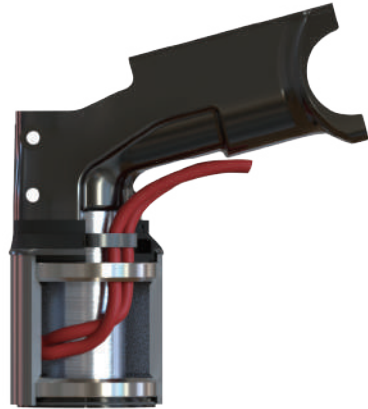


Stack Hight= $9.7 + 3 = 12.7 \pm 0.5$



INTERNAL CABLE ROUTING SYSTEM

**TDS-D647-8FOV**



**TM-AL-21-8**



**TDS-RD650-8FOV**  
**TDS-RD650-8-35**



	<b>TREKKING</b>	<b>MTB</b>	<b>MTB</b>	
<b>STEM</b>	TDS-D647-8FOV	TM-AL-21-8	TDS-RD650-8FOV TM-D58-8	TDS-RD650-8-35 TM-RD58-8
<b>SPACER</b>	PT-71 (5mm)	PT-71 (5mm)	PT-71 (5mm)	
<b>STEM COVER</b>	none	none	H2240	
<b>HEADSET</b>	PT-1868AW	PT-1868AW	PT-1868AW	
	PT-1869AW	PT-1869AW	PT-1869AW	
	PT-F13AW	PT-F13AW	PT-F13AW	



**ASIC4006**



**ASIC038**



INTERNAL CABLE ROUTING SYSTEM

	<b>TREKKING</b>	<b>TREKKING</b>
<b>STEM</b>	ASIC4006	ASIC038
<b>SPACER</b>	PT-71 (5mm)	PT-71 (5mm)
<b>STEM COVER</b>	H2239	H2239
<b>HEADSET</b>	PT-1868AW	PT-1868AW
	PT-1869AW	PT-1869AW
	PT-F13AW	PT-F13AW

INTERNAL CABLE ROUTING SYSTEM



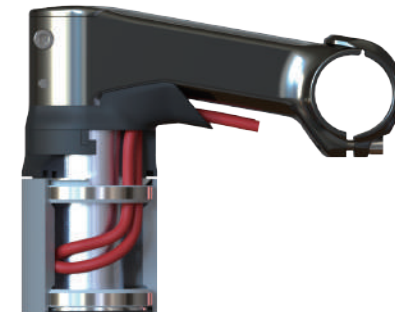
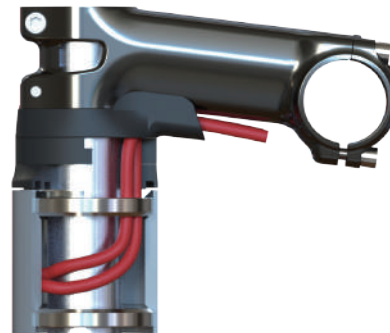
**TDS-RC528-8FOV**



**TDS-RD713-8FOV**



**TDS-RD706-8FOV**



	<b>ROAD</b>	<b>ROAD</b>
<b>STEM</b>	TDS-RD713-8FOV / TDS-RC528-8FOV	TDS-RD706-8FOV
<b>SPACER</b>	TDS-D636-8FOV (5mm \ 10mm)	TDS-D636-8FOV (5mm \ 10mm)
<b>STEM COVER</b>	H2224-078	078-H2230
<b>HEADSET</b>	PT-1866A-078	PT-1866A-078
	PT-1866B-078	PT-1866B-078
	PT-1866C-078	PT-1866C-078





**LCS-7156**



	<b>ROAD</b>
<b>STEM</b>	LCS-7156
<b>SPACER</b>	PT-68 (5mm \ 10mm)
<b>STEM COVER</b>	733-H2225
<b>HEADSET</b>	PT-1865N
	PT-1866N
	PT-F13N



**LCH-6560**

**JUNIOR/KIDS**  
LCH-6560 FROM LEADTEC

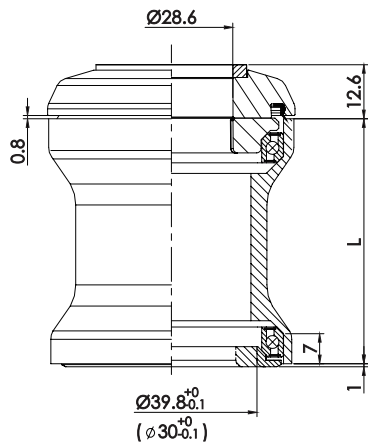
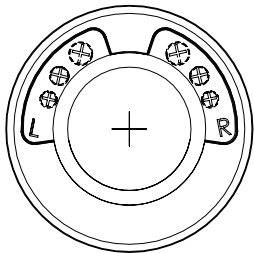
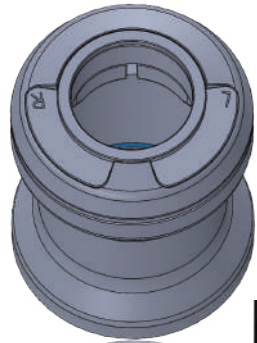
**SPACER**  
LC-5073-02 FROM LEADTEC

**TOP COVER**  
LC-5073-01 FROM LEADTEC



**HEADSET**  
PT-1805-733 FROM PRESTINE

INTERNAL CABLE ROUTING SYSTEM



Stack Hight=12.6+1=13.6±0.5

## PT-1863BW

IS52/28.6 | IS52/40

Integrated Headset Ø28.6\*52\*52\*39.8

1.5 upper /1.5 bottom head tube for tapered fork 1 1/8"-1.5"

Height :14.8+1=15.8mm

Weight :96.4g

Bearings: Sealed AC Bearings R457B

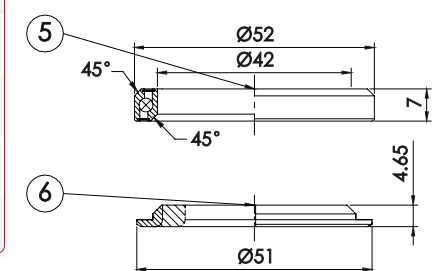
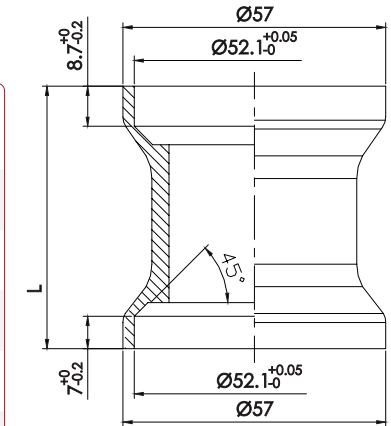
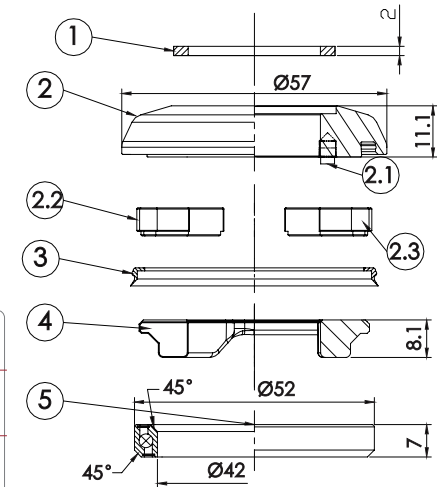
Material:top cover 6061-T6 w/TPR seal, AL7075 crown race

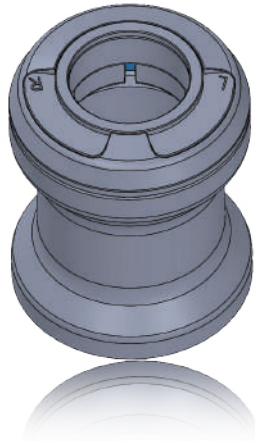
Finish: Anodized

Headtube Bearing Seat depth upper 8.7 lower 7

型號 (Model No)	零件料號 Item No.	ØD	+0 -0.1
PT-1863BW-1	H6420-1	ø39.8	+0 -0.1
PT-1863BW-2	H6421-1	ø30.0	+0 -0.1

NO.	零件名稱 ITEM NAME	零件料號 ITEM NO.	材質 MATERIAL	數量 QTY
1	PT-67A 鋁墊圈 -Ø35x5/ SPACER	-	AL6061	1PCS
2	1 1/8" 鋁上蓋 (穿線 / TOP COVER	H1934	AL6061	1PCS
4.1	固定銷 -PIN / FIXING PIN	H7602	AL6061	1PCS
2.1	防水塞 -L / SEAL	A304-L	TPR	1PCS
2.2	防水塞 -R / SEAL	A304-R	TPR	1PCS
3	防水圈 / SEAL	418-PRD01023-1	Rubber	1PCS
*4	束環 (穿線) / COMPRESSION RING	H2902	Nylon	1PCS
5	軸承 / 52x42x45°x7 / SEALED BEARING	R457B	SUU2	2PCS
6	鋁下塞 / CROWN RACE	-	AL7075	1PCS





## PT-1864BW

IS52/28.6 | IS52/40

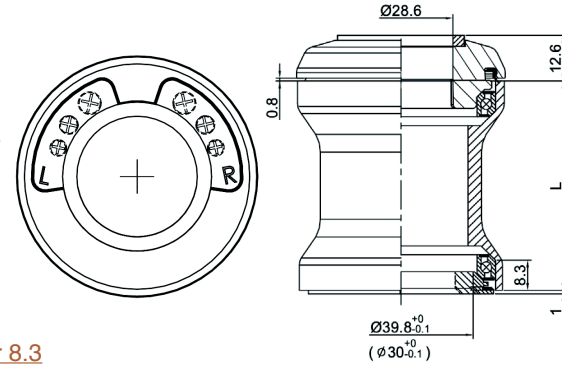
Integrated Headset  $\Phi 28.6 \times 52 \times 52 \times 39.8$

1.5 upper / 1.5 bottom head tube for tapered fork 1 1/8"-1.5"

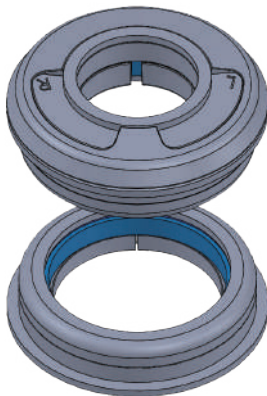
Height :  $14.8 + 1 = 15.8 \text{ mm}$

Weight : 96.3g

Headtube Bearing Seat depth upper 8.3 lower 8.3



Stack Hight= $12.6 + 1 = 13.6 \pm 0.5$



## PT-F13BW

ZS56/28.6 | ZS56/40

Internal Headset  $\Phi 28.6 \times 56 \times 56 \times 39.8$

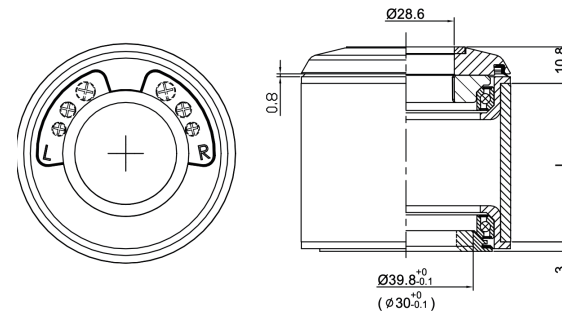
1.5 upper / 1.5 bottom head tube for tapered fork 1 1/8"-1.5"

Height :  $11.8 + 3 = 14.8 \text{ mm}$

Bearings: Sealed AC Bearings R457B

Material: top cover 6061-T6 w/TPR seal, AL7075 crown race

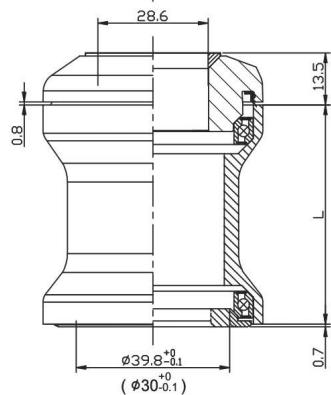
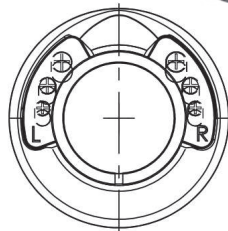
Finish: Anodized



Stack Hight=  $11.8 + 3 = 14.8 \pm 0.5$

## PT-1863CW

IS52/28.6 | IS52/40



Stack Hight=13.5+1=14.5±0.5

Integrated HeadsetΦ28.6\*52\*52\*39.8

1.5 upper /1.5 bottom head tube for tapered fork 1 1/8"-1.5"

Height :13.5+1=14.5mm

Weight :81.6g

Bearings: Sealed AC Bearings R457B

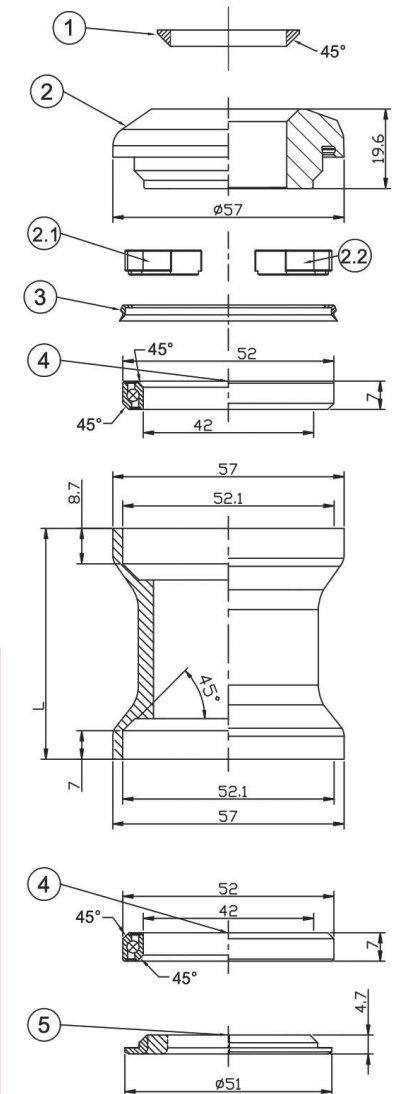
Material:Plastic cover w/TPR seal, AL7075 crown race

Finish: Anodized

Headtube Bearing Seat depth upper 8.7 lower 7

型號 MODEL NO.	零件料號 Item No.	ØD	+0 -0.1
⑤ PT-1863CW-1	H6420-1	ø39.8	+0 -0.1
PT-1863CW-2	H6421-1	ø30.0	+0 -0.1

NO.	零件名稱 ITME NAME	零件料號 ITEM NO.	材質 MATERIAL	數量 QTY
1	尼龍束環 / SPACER	H2895	Nylon	1PCS
2	尼龍上蓋 / TOP COVER	H1931	Nylon	1PCS
2.1	防水塞 -L / SEAL	A304-L	TPR	1PCS
2.2	防水塞 -R / SEAL	A304-R	TPR	1PCS
3	防水圈 / SEAL	418-PRD01023-1	Rubber	1PCS
4	軸承 / 52x42x45°x7 / SEALED BEARING	R457B	SUJ2	2PCS
6	1.5" 鋁下塞 / CROWN RACE	-	AL7075	1PCS





## PT-1864CW

IS52/28.6 | IS52/40

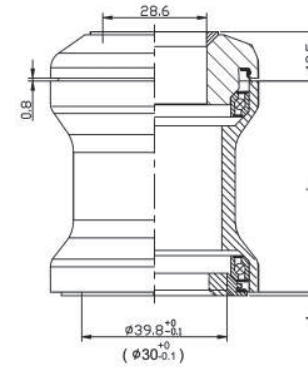
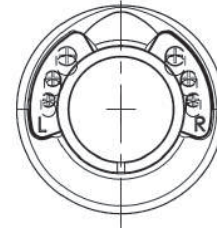
Integrated Headset  $\Phi 28.6 \times 52 \times 52 \times 39.8$

1.5 upper /1.5 bottom head tube for tapered fork 1 1/8"-1.5"

Height :13.5+1=14.5mm

Weight :83.2g

Headtube Bearing Seat depth upper 8.3 lower 8.3



Stack Hight=13.5+1=14.5±0.5



## PT-F13CW

ZS56/28.6 | ZS56/40

Internal Headset  $\Phi 28.6 \times 56 \times 56 \times 39.8$

1.5 upper /1.5 bottom head tube for tapered fork 1 1/8"-1.5"

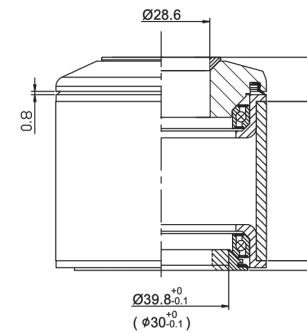
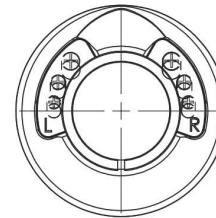
Height :13+3=16mm

Weight :120g

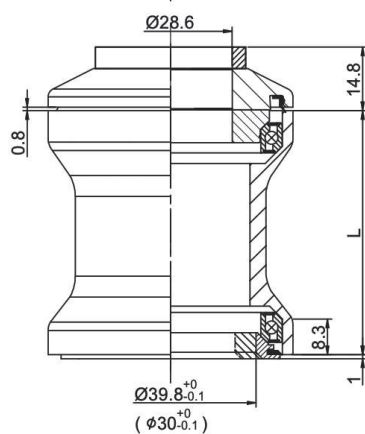
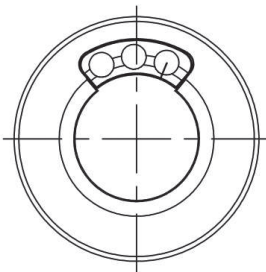
Bearings: Sealed AC Bearings R457B

Material: Plastic cover w/TPR seal, AL7075 crown race

Finish: Anodized



Stack Hight= 13+3=16±0.5



Stack Hight=14.8+1=15.8±0.5

## PT-1863GW

IS52/28.6 | IS52/40

Integrated Headset  $\Phi 28.6 \times 52 \times 52 \times 39.8$

1.5 upper / 1.5 bottom head tube for tapered fork 1 1/8"-1.5"

Height :14.8+1=15.8mm

Weight :103.9g

Bearings: Sealed AC Bearings R457B

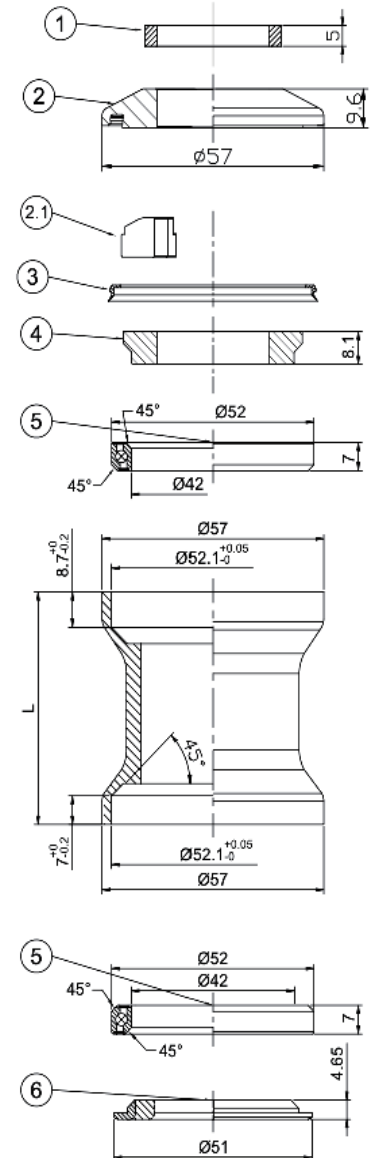
Material:top cover 6061-T6 w/TPR seal, AL7075 crown race

Finish: Anodized

Headtube Bearing Seat depth upper 8.7 lower 7

型號 MODEL NO.	零件料號 Item No.	ØD	+0 -0.1
⑥ PT-1863GW-1	H6420-1	ø39.8	+0 -0.1
PT-1863GW-2	H6420-2	ø30.0	+0 -0.1

NO.	零件名稱 ITME NAME	零件料號 ITEM NO.	材質 MATERIAL	數量 QTY
1	PT-67A 鋁墊圈 - $\Phi 35 \times 5$ / SPACER	-	AL6061	1PCS
2	1 1/8" 鋁上蓋 (穿線) / TOP COVER	H1948	AL6061	1PCS
2.1	防水塞 / SEAL	A304-L	TPR	1PCS
3	防水圈 / SEAL	418-PRD01023-1	Rubber	1PCS
*4	束環 (穿線) / COMPRESSION RING	H2876	AL6061	1PCS
5	防水圈 / SEAL	A277	Rubber	1PCS
6	軸承 / 52x42x45°x7 / SEALED BEARING	R457B	SUJ-2	2PCS
7	鋁下塞 / CROWN RACE	-	AL7075	1PCS





## PT-1864GW

IS52/28.6 | IS52/40

Integrated Headset  $\Phi 28.6 \times 52 \times 39.8$

1.5 upper / 1.5 bottom head tube for tapered fork 1 1/8"-1.5"

Height : 14.8+1=15.8mm

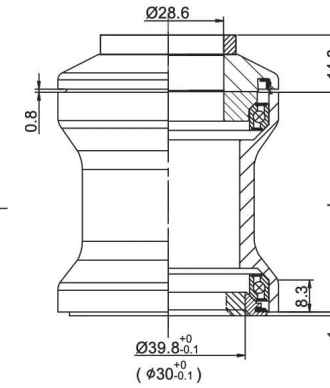
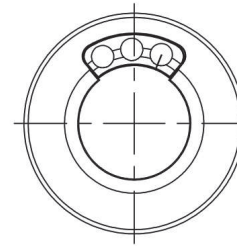
Weight : 104.8g

Bearings: Sealed AC Bearings R457B

Material: top cover 6061-T6 w/TPR seal, AL7075 crown race

Finish: Anodized

Headtube Bearing Seat depth upper 8.3 lower 8.3



Stack Hight=14.8+1=15.8±0.5



## PT-F13GW

ZS56/28.6 | ZS56/40

Internal Headset  $\Phi 28.6 \times 56 \times 39.8$

1.5 upper / 1.5 bottom head tube for tapered fork 1 1/8"-1.5"

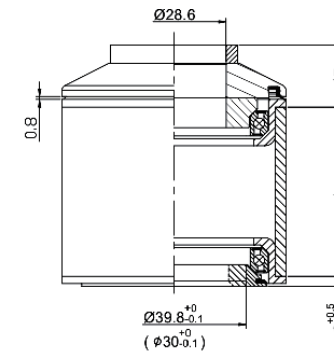
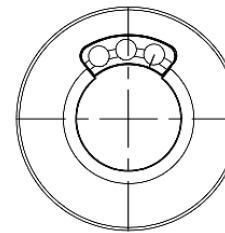
Height : 17+3=20mm

Weight : 146g

Bearings: Sealed AC Bearings R457B

Material: top cover 6061-T6 w/TPR seal, AL7075 crown race

Finish: Anodized



Stack Hight= 17+3=15±0.5



## PT-1866A-078

IS52/28.6 | IS52/40

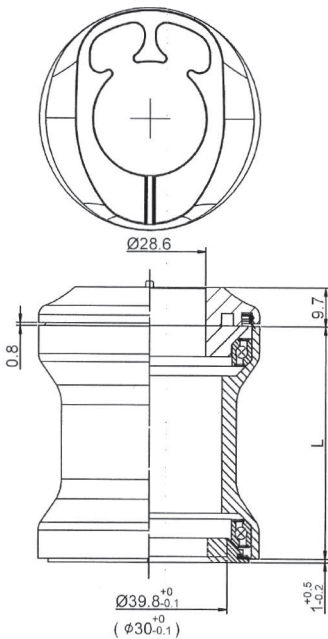
Internal Cable Routing System (Integrated Headset)  
 1.5" upper / 1.5" bottom for Tapered fork 1 1/8" - 1.5"  
 Ø28.6\* 52\* 52\* 39.8  
 Height: 9.7+1=10.7mm  
 Bearings: Sealed AC bearings  
 52\* 45°\* H7 (R457B)  
 Material: W/AL-7075 crown race  
 Option:1867A-078 ③ compression ring (NYLON PAG+30%GF)

Headtube Bearing Seat depth upper 8.3 lower 8.3



With ZOOM ICR stem

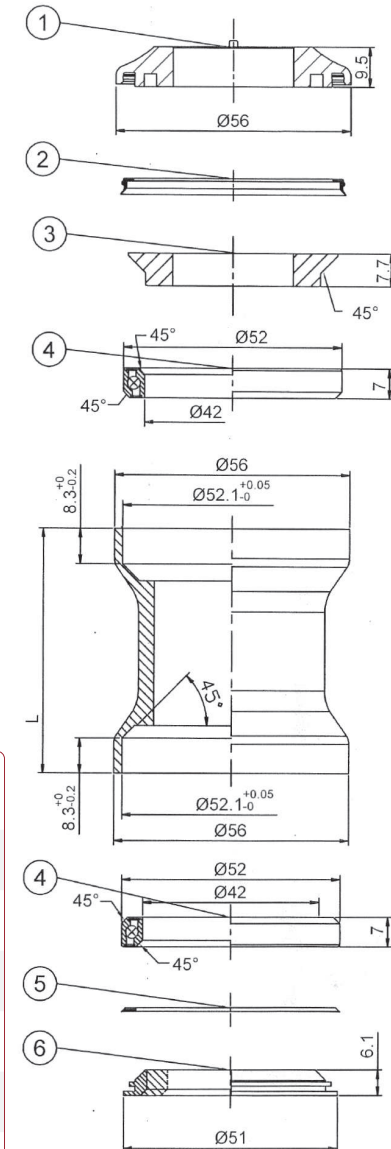
TDS-(R)D631-8FOV  
 TDS-D632-8FOV  
 TDS-C634-8FOV  
 TDS-D636-8FOV  
 TDS-D645-8FOV  
 TDS-D658-8FOV  
 TDS-D638-8FOV  
 TM-AL-20-8



Stack Hight=9.7+1=10.7±0.5

型號 MODEL NO.	零件料號 Item No.	ØD	+0 -0.1
⑥ PT-1866A-078-1	H6430-1	ø39.8	+0 -0.1
PT-1866A-078-2	H6430-2	ø30.0	+0 -0.1

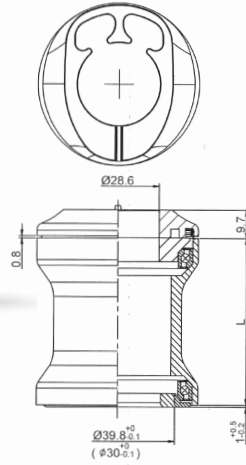
NO.	零件名稱 ITME NAME	零件料號 ITEM NO.	材質 MATERIAL	數量 QTY
1	上蓋 / TOP COVER	078-H1924	Nylon	1PCS
2	防水圈 / SEAL	418-PRD1023-1	Rubber	1PCS
3	束環 (穿線) / COMPRESSION RING	H2884	AL6061	1PCS
4	軸承 (52x42x45° x7) / SEALED BEARING	R457B	SUJ-2	2PCS
5	防水圈 / SEAL	A277	Rubber	1PCS
6	1.5" 鋁下塞 (下 8.3 用) / CROWN RACE	-	AL7075	1PCS



## PT-1866B-078

IS52/28.6 | IS52/40

Height: 9.7+1=10.7mm  
 Bearings: Sealed AC bearings  
 52\* 45\*\* H7 (R457B)  
 Material: W/AL-7075 crown race  
 Headtube Bearing Seat depth upper 8.7 lower 7  
 Option:1867B-078 ③ compression ring (NYLON PAG+30%GF)  
Headtube Bearing Seat depth upper 8.7 lower 7

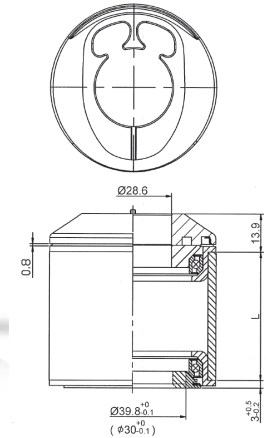


Stack High=9.7+1=10.7±0.5

## PT-1866C-078

ZS56/28.6 | ZS56/40

Height: 9.7+1=10.7mm  
 Bearings: Sealed AC bearings  
 52\* 45\*\* H7 (R457B)  
 Material: W/AL-7075 crown race  
 Headtube Bearing Seat depth upper 8.7 lower 7  
 Option:1867B-078 ③ compression ring (NYLON PAG+30%GF)

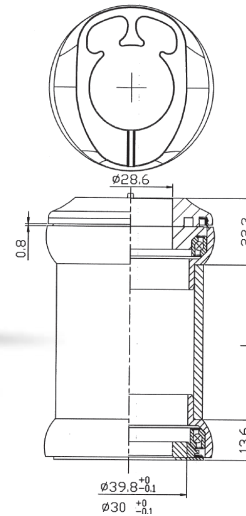


Stack High=13.9+3=16.9±0.5

## PT-1866E-078

EC44/28.6 | EC44/40

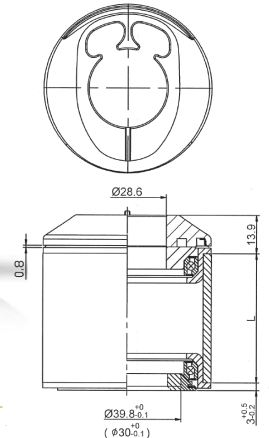
For integrated cable routing system  
 Ø28.6x44x44x39.8  
 Height: 22.3+13.6=35.9mm  
 Bearings: Sealed AC bearings R457B  
 Material: Alloy 6061-T6 w/AL-7075 crown race  
 Finish: Anodized



## PT-1866EC-078

ZS56/28.6 | ZS56/40

Height: 13.9+3.2=17.1mm  
 Bearings: Semi-Cartridge Bearings  
 Material: Steel  
 Finish: EDBK  
Steel cups w/Semi-cartridge Bearing

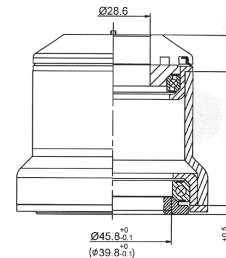
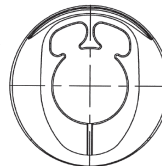


Stack High=13.9+3=16.9±0.5

## PT-1866F-078

ZS56/28.6 | ZS66/45.8

Height: 13.9+3.5=17.4mm  
 Bearings: Sealed AC bearings R457B/R458B  
 Material: Alloy 6061-T6 w/AL-7075 crown race  
 Finish: Anodized



Stack High=13.9+3.5=17.4±0.5



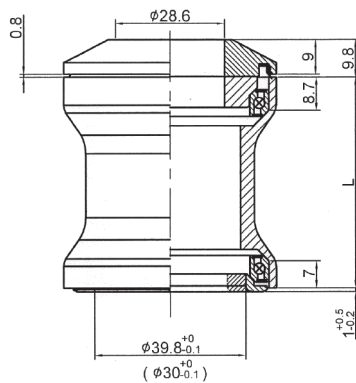
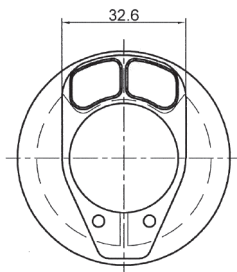
## PT-1865

IS52/28.6 | IS52/40

Internal Cable Routing System (Integrated Headset)  
1.5" upper / 1.5" bottom for Tapered fork 1 1/8" - 1.5"  
Ø28.6\* 52\* 52\* 39.8

Height: 9.8+1=10.8mm  
Bearings: Sealed AC bearings  
52\* 45°\* H7 (R457B)

Material Top cover: AL6061, W/AL-7075 crown race  
Headtube Bearing Seat depth upper 8.3 lower 8.3



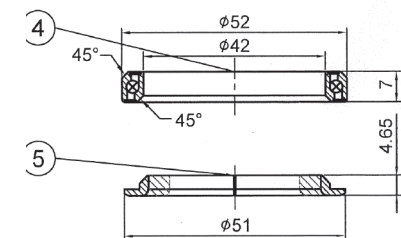
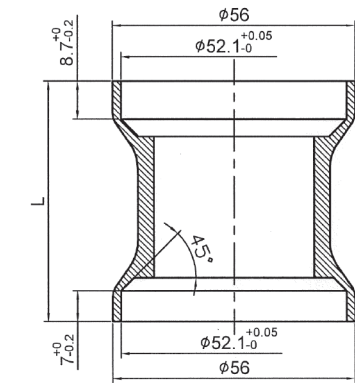
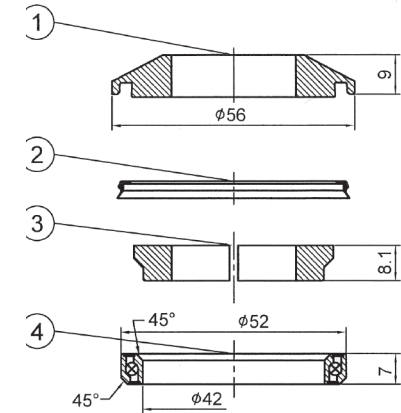
Stack Hight=9.6+1=10.6±0.5

## PT-1865N

③ compression ring (NYLON PAG+30%GF)

型號 MODEL NO.	零件料號 Item No.	ØD	+0 -0.1
PT-1865-1	H6420-1	ø39.8	+0 -0.1
PT-1865-2	H6421-1	ø30.0	+0 -0.1

NO.	零件名稱 ITME NAME	零件料號 ITEM NO.	材質 MATERIAL	數量 QTY
1	1 1/8" 鋁上蓋 (穿線) / TOP COVER	H1924	Nylon	1PCS
2	防水圈 / SEAL	418-PRD1023-1	Rubber	1PCS
3	束環 (穿線) / COMPRESSION RING	H2875	AL6061	1PCS
4	軸承 (52x42x45° x7) / SEALED BEARING	R457B	SUJ2	2PCS
5	鋁下塞 / CROWN RACE	-	AL7075	1PCS





## PT-1866

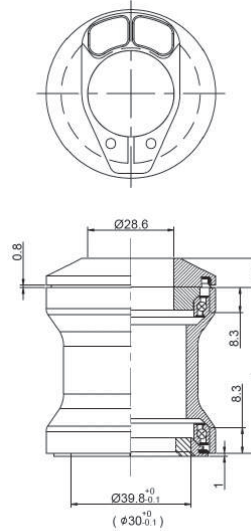
IS52/28.6 | IS52/40

Integrated Headset  $\Phi 28.6 \times 52 \times 39.8$   
 1.5" upper / 1.5" bottom head tube for taperd fork 1 1/8"-1.5"  
 Height :  $9.8 + 1 = 10.8\text{mm}$   
 Bearings: Sealed AC Bearings R457B  
 Material: Plastic cover w/AL7075 crown race  
 Finish: Anodized

Headtube Bearing Seat depth upper 8.3 lower 8.3

## PT-1866N

③ compression ring (NYLON PAG+30%GF)



Stack Hight= $9.8 + 1 = 10.8 \pm 0.5$



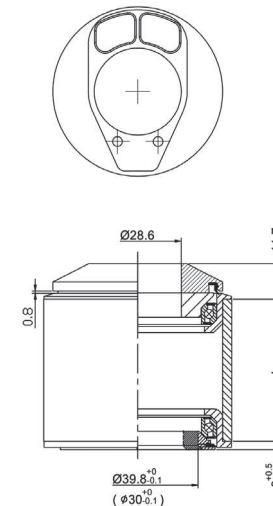
## PT-F13KF

ZS56/28.6 | ZS56/40

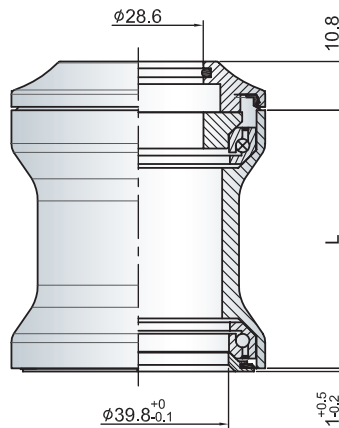
Internal Headset  $\Phi 28.6 \times 56 \times 39.8$   
 1.5" upper / 1.5" bottom head tube for taperd fork 1 1/8"-1.5"  
 Height :  $11.7 + 3 = 14.7\text{mm}$   
 Bearings: Sealed AC Bearings R457B  
 Material: Plastic cover w/AL7075 crown race  
 Finish: Anodized

## PT-F13N

③ compression ring (NYLON PAG+30%GF)



Stack Hight=  $11.7 + 3 = 14.7 \pm 0.5$



STACK HIGHT =  
10.8 + 1 = 11.8 ± 0.5

Steel cups w/Semi-cartridge Bearing

## PT-1863D

IS52/28.6 | IS52/40

Integrated Headset

1 1/8" upper / 1.5 bottom tapered fork &  
1.5" - 1.5" straight headtube  
Ø28.6\*52\*52\*39.8

Height: 10.8+1=11.8mm

Weight: 111g

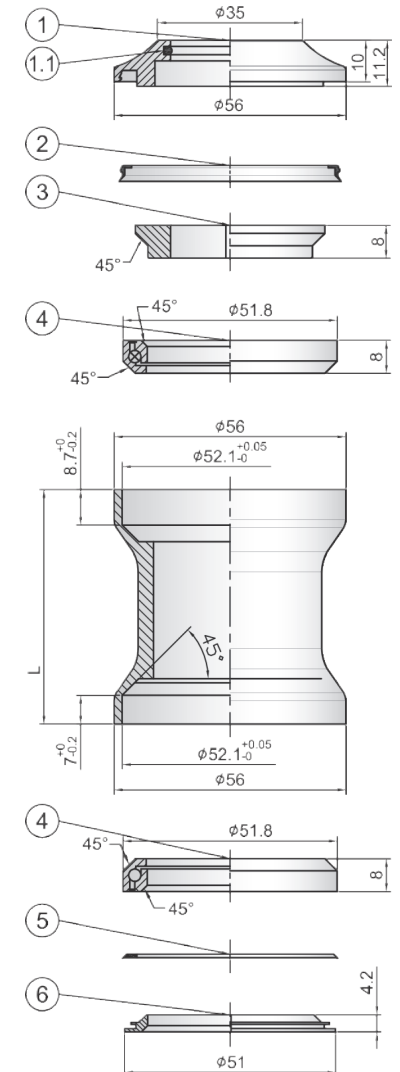
Bearings: Sealed AC bearings R425

Material: top cover 6061-T6 w/AL-7075 crown race

PT-1863D-(Headtube Bearing seat depth upper 8.7 Lower 7)1863DS-crown race ø30mm

PT-1864D-(Headtube Bearing seat depth upper 8.3 Lower 8.3)1864DS-crown race ø30mm

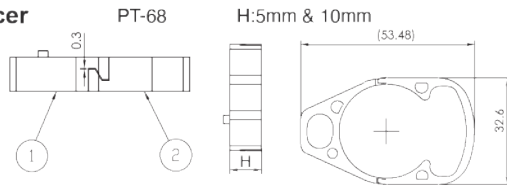
NO.	零件名稱 ITME NAME	零件料號 ITEM NO.	材質 MATERIAL	數量 QTY
*1	1 1/8" 鋁上蓋 / TOP COVER	H1917	AL6061	1PCS
1.1	O 型圈 / O-RING	A255	Rubber	1PCS
2	防水圈 / SEAL	418-PRD01023-1	Rubber	1PCS
*3	束環 / COMPRESSION RING	H2866D	AL6061	1PCS
4	軸承 / SEALED BEARING	R425	SUJ2	2PCS
5	防水圈 / SEAL	A277	Rubber	1PCS
6	1.5" 鋁下塞 / CROWN RACE	608-H6413-1	AL7075	1PCS
7	馬口鐵 (出貨需附件) MICRO SPACER	WS0002	Tin	1PCS



## PT-68

[NYLON,PAG+30%GF]

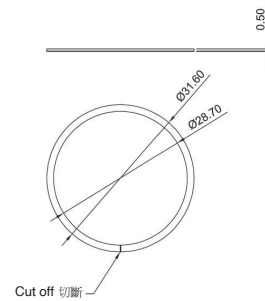
Spacer



型號 Model No	① 零件料號 Item No.	② 零件料號 Item No.	厚度 THICKNESS
PT-68-5	H2218-5	H2219-5	L=5
PT-68-10	H2218-10	H2219-10	L=8

NO.	零件名稱 ITME NAME	零件料 ITEM NO.	材質 MATERIAL	數量 QTY
1	墊圈 - 凸 / ROAD SPACER	-	Nylon	1PCS
2	墊圈	-	Nylon	1PCS

## H-2409

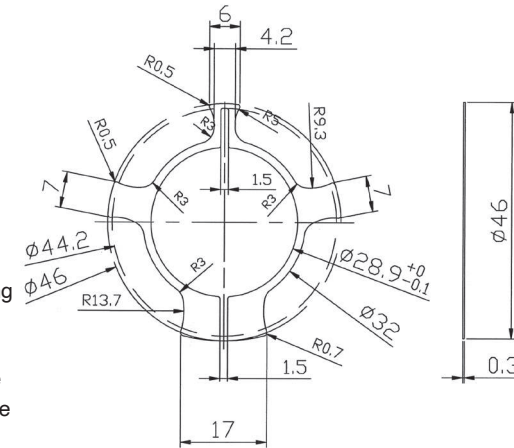


For Integrated cable routing  
1 1/8" micro spacer  
T : 0.5mm / ID 28.6mm  
Minor adjustable for space  
between upper of headtube  
& Headset top cover  
Material : PC

## H-2502

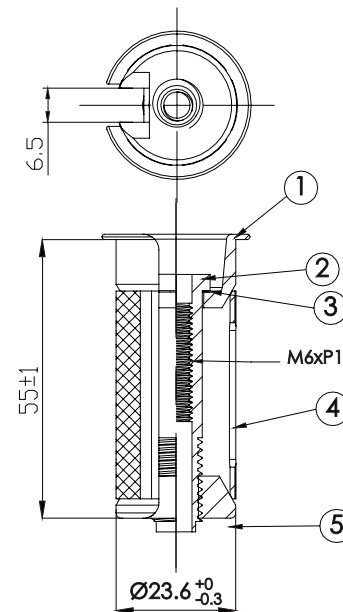
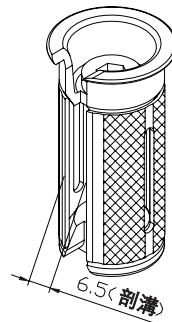


For Integrated cable routing  
1 1/8" micro spacer  
T: 0.3mm / ID 28.6mm  
Minor adjustable for space  
between upper of headtube  
& Headset top cover



## PT-1726EA

Alloy Expander L:55mm  
Full set made by alloy  
OD  $\Phi 23.3$  for 1 1/8"  
steerer ID: 23.3~24mm  
w/6.5mm slotted gap for cable  
Ribbed track design for the inner shell, force will be  
move evenly.



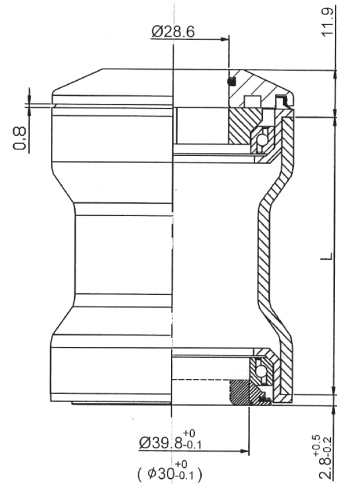
NO.	零件名稱 ITME NAME	零件料 ITEM NO.	材質 MATERIAL	數量 QTY
1	上壓 / UPPER COMPRESSION	L2110-B	AL6061	1PCS
2	中空螺絲 / HOLLOW SCREW	L1052	AL6061	1PCS
3	白鐵華司 (Ø14xØ10.5x0.3) WASHER	H2213	SUS304	1PCS
4	中套 (銑溝) / SHELL	L4132-B	AL6061	1PCS
5	雙凸下壓 / LOWER COMPRESSION	L3110-B	AL6061	1PCS



## PT-F16A

ZS56/28.6 | ZS56/40

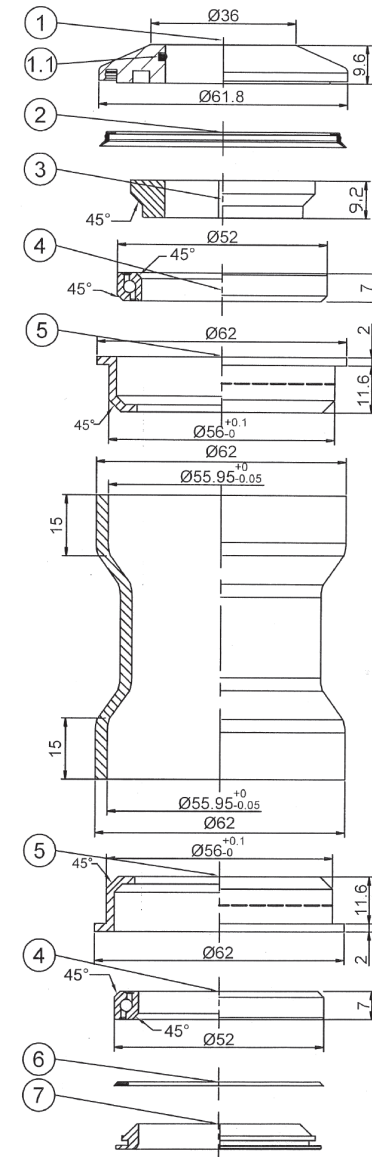
1.5" Upper / 1.5" Bottom for tapered fork  
 Ø28.6xID56xID56x39.8  
 Height: 11.9+2.8=14.7mm  
 Bearings: Sealed AC Bearings R413  
 Material: AL6061, W/AL7075 crown race  
 Finish: Anodized

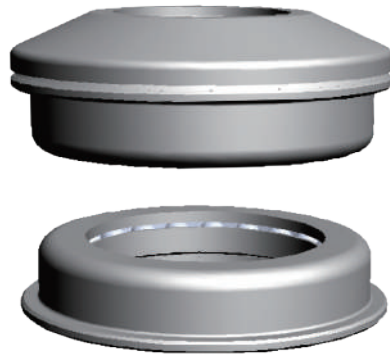


Stack Height=11.9+2.8=14.7±0.5

型號 MODEL NO.	零件料號 Item No.	ØD	+0 -0.1
⑦ PT-F16A-1	H6413-1	ø39.8	+0 -0.1
PT-F16A-2	H6417-1	ø30.0	+0 -0.1

NO.	零件名稱 ITEM NAME	零件料號 ITEM NO.	材質 MATERIAL	數量 QTY
1	1 1/8" 鋁上蓋 / TOP COVER	H1927	AL6061	1PCS
1.1	O 型圈 / O-RING	A255	Rubber	2PCS
2	防水圈 / SEAL	A301	Rubber	1PCS
3	1 1/8" 鋁束環 / COMPRESSION RING	H2885	AL6061	1PCS
4	軸承 / SEALED BEARING	R413	SUJ2	2PCS
5	56 鋁碗 / CUP	H5517-1	AL6061	2PCS
6	防水圈 / SEAL	A277	Rubber	1PCS
7	鋁下塞 / CROWN RACE	H6413-1	AL7075	1PCS



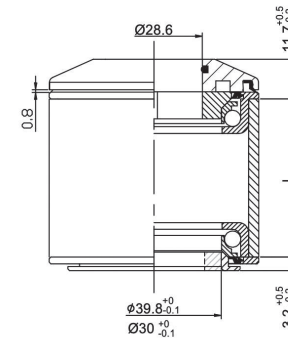


## PT-F16C

ZS56/28.6 | ZS56/40

1.5" upper /1.5" bottom for tapered fork  
 Ø28.6\*56\*56\*39.8  
 Height :11.7+3.2=14.9mm  
 Bearings: semi-cartridge bearings  
 Material: steel  
 Finish: EDBK

AL6061 top cover, steel cups w/Semi-cartridge Bearing, steel crown race



Stack Hight= 11.7+3.2=14.9±0.5

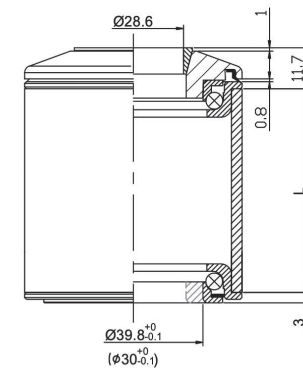


## PT-F16D

ZS56/28.6 | ZS56/40

1.5" upper /1.5" bottom for tapered fork  
 Ø28.6\*56\*56\*39.8  
 Height :11.7+3=14.7mm  
 Bearings: 3/16 x 23B  
 Material: steel  
 Finish: EDBK

AL6061 top cover, steel cups w/Ball Retainer, steel crown race





## PT-F18B

ZS56/28.6 | ZS66/45.8

1.5" Upper / 1.5" Bottom for tapered fork

Ø28.6xID56xID56x39.8

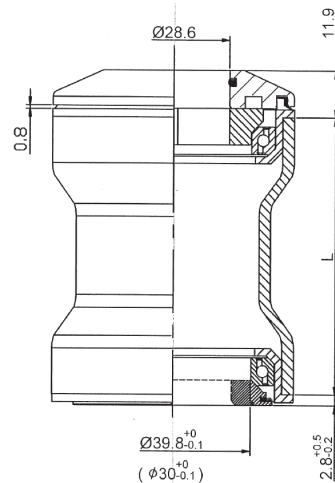
Height: 11.9+2.8=14.7mm

Bearings: Sealed AC Bearings R413

Material: AL6061, W/AL7075 crown race

Finish: Anodized

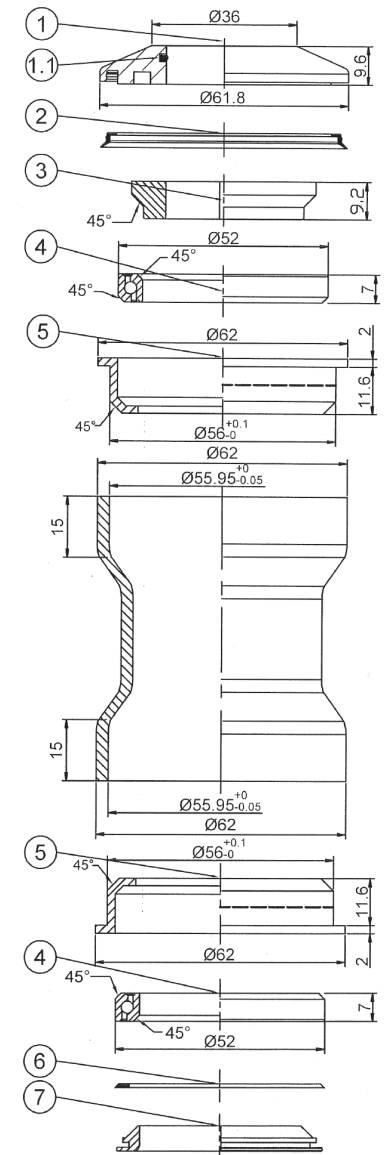
[AL6061 top cover](#), [AL6061 cups w/High-heat Blackening Bearing](#), [AL7075 crown race](#)



Stack Hight=11.9+2.8=14.7±0.5

型號 MODEL NO.	零件料號 Item No.	ØD	+0 -0.1
⑦ PT-F16A-1	H6413-1	ø39.8	+0 -0.1
PT-F16A-2	H6417-1	ø30.0	+0 -0.1

NO.	零件名稱 ITEM NAME	零件料號 ITEM NO.	材質 MATERIAL	數量 QTY
1	1 1/8" 鋁上蓋 / TOP COVER	H1927	AL6061	1PCS
1.1	O 型圈 / O-RING	A255	Rubber	2PCS
2	防水圈 / SEAL	A301	Rubber	1PCS
3	1 1/8" 鋁束環 / COMPRESSION RING	H2885	AL6061	1PCS
4	軸承 / SEALED BEARING	R413	SUJ2	2PCS
5	56 鋁碗 / CUP	H5517-1	AL6061	2PCS
6	防水圈 / SEAL	A277	Rubber	1PCS
7	鋁下塞 / CROWN RACE	H6413-1	AL7075	1PCS

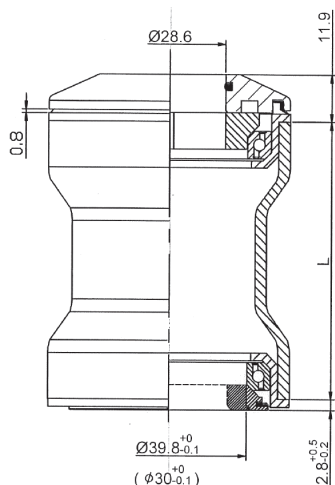




## PT-F22

EC49/38.1 | EC49/40

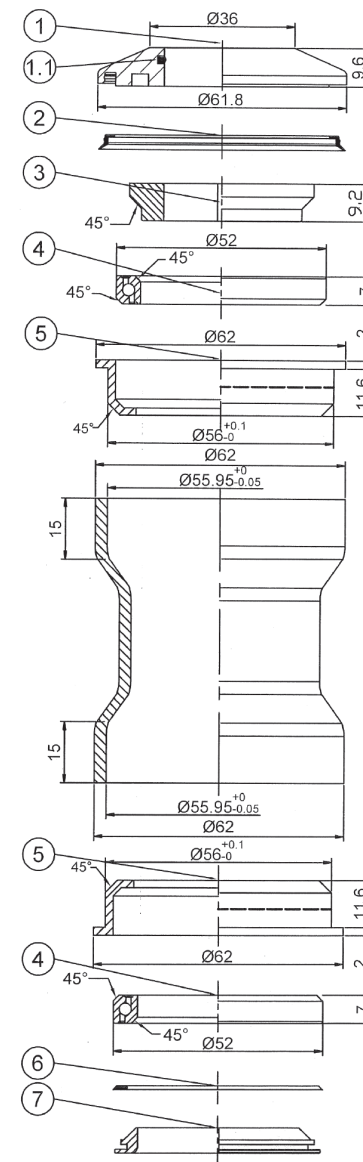
1.5" Upper / 1.5" Bottom for tapered fork  
 Ø28.6xID56xID56x39.8  
 Height: 11.9+2.8=14.7mm  
 Bearings: Sealed AC Bearings R413  
 Material: AL6061, W/AL7075 crown race  
 Finish: Anodized



Stack Hight=11.9+2.8=14.7±0.5

型號 MODEL NO.	零件料號 Item No.	ØD	+0 -0.1
⑦ PT-F16A-1	H6413-1	ø39.8	+0 -0.1
PT-F16A-2	H6417-1	ø30.0	+0 -0.1

NO.	零件名稱 ITME NAME	零件料號 ITEM NO.	材質 MATERIAL	數量 QTY
1	1 1/8" 鋁上蓋 / TOP COVER	H1927	AL6061	1PCS
1.1	O 型圈 / O-RING	A255	Rubber	2PCS
2	防水圈 / SEAL	A301	Rubber	1PCS
3	1 1/8" 鋁束環 / COMPRESSION RING	H2885	AL6061	1PCS
4	軸承 / SEALED BEARING	R413	SUJ2	2PCS
5	56 鋁碗 / CUP	H5517-1	AL6061	2PCS
6	防水圈 / SEAL	A277	Rubber	1PCS
7	鋁下塞 / CROWN RACE	H6413-1	AL7075	1PCS





## PT-F2A

ZS49/28.6 | ZS49/30

1.5" Upper / 1.5" Bottom for tapered fork

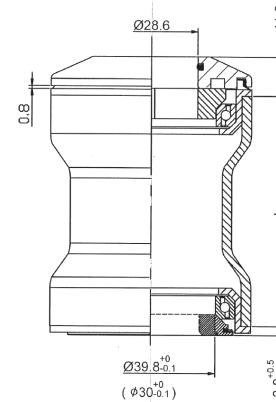
Ø28.6xID56xID56x39.8

Height: 11.9+2.8=14.7mm

Bearings: Sealed AC Bearings R413

Material: AL6061, W/AL7075 crown race

Finish: Anodized



Stack Hight=11.9+2.8=14.7±0.5



## PT-F17

ZS44/28.6 | ZS44/40

1.5" Upper / 1.5" Bottom for tapered fork

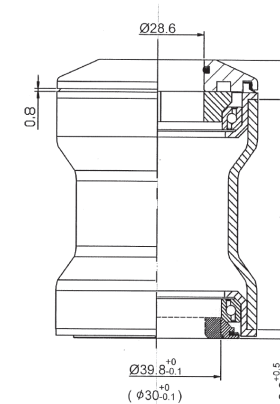
Ø28.6xID56xID56x39.8

Height: 11.9+2.8=14.7mm

Bearings: Sealed AC Bearings R413

Material: AL6061, W/AL7075 crown race

Finish: Anodized



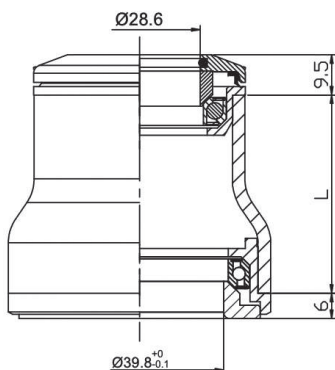
Stack Hight=11.9+2.8=14.7±0.5



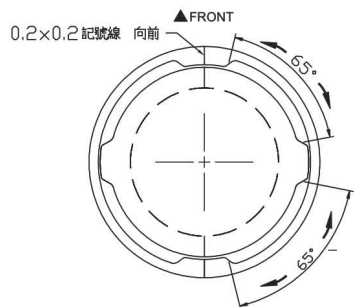
## PT-1808AB

ZS44/28.6 | ZS56/40

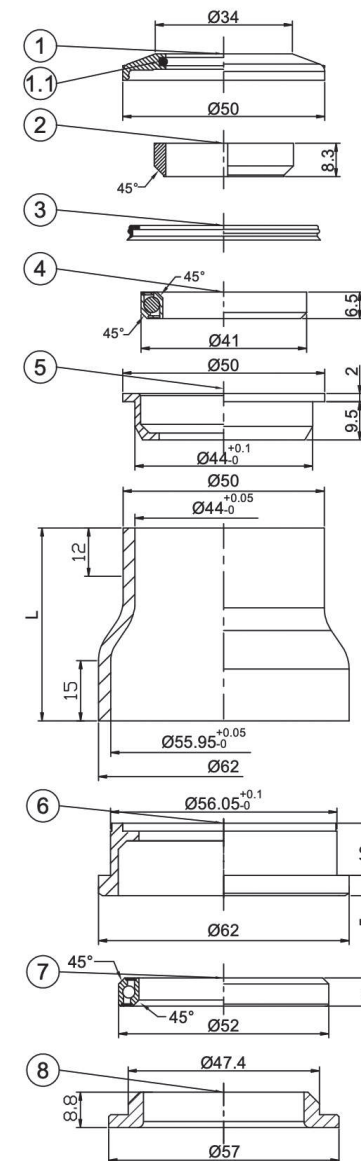
1 1/8" upper /1.5" bottom for tapered fork  
 Ø28.6\*44\*56\*39.8  
 Rotation angle 130°  
 Alloy headset blocking Design crown race  
 Height :9.5+6=15.5mm  
 Bearings: Sealed AC Bearings  
 Material: AL6061-T6 w/AL7075 crown race  
 Finish: Anodized



Stack Hight=9.5+6=15.5±0.5



NO.	零件名稱 ITEM NAME	零件料號 ITEM NO.	材質 MATERIAL	數量 QTY
1	1 1/8" 鋁上蓋 / TOP COVER	H1804	AL6061	1PCS
1.1	O 型圈 / O-RING	A255	Rubber	1PCS
2	1 1/8" 鋁束環 / COMPRESSION RING	H2808	AL6061	1PCS
3	防水圈 / SEAL	A256	Rubber	1PCS
4	軸承 / SEALED BEARING	R408	SUJ-2	1PCS
5	鋁軸承上下碗 / CUP	H4563	AL6061	1PCS
6	軸承 (52x42x45° x7) / SEALED BEARING	R457B	SUJ-2	1PCS
7	角度下碗 / LOWER CUP	H5611	AL6061	1PCS
8	角度下塞 / CROWN RACE	H6434	AL7075	1PCS



## PT-F26AB

ZS56/28.6 | ZS56/40

1.5" upper /1.5" bottom for taperd fork

Φ28.6\*56\*56\*39.8

Rotation angle 130°

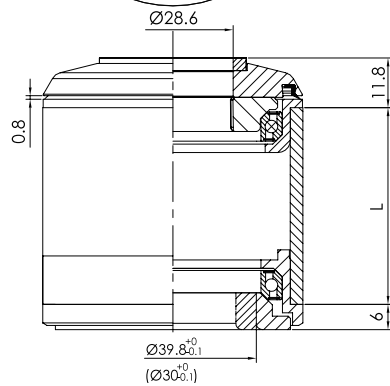
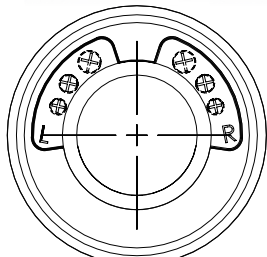
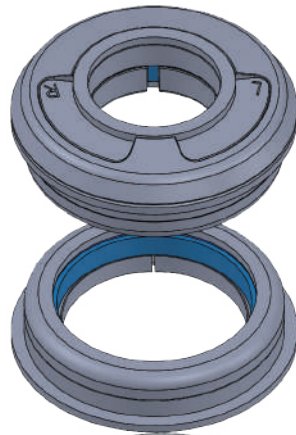
Alloy headset blocking Design crown race

Height :17+6=23mm

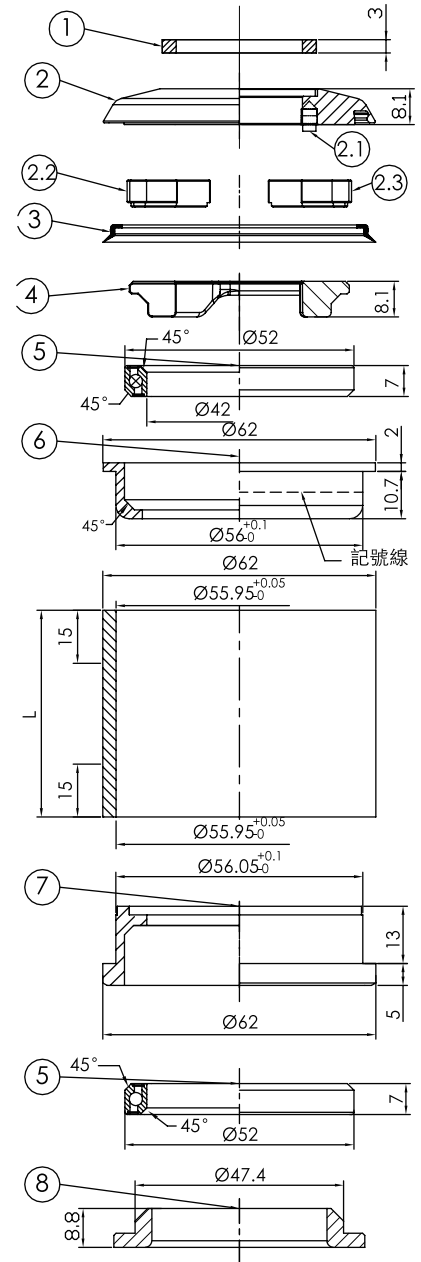
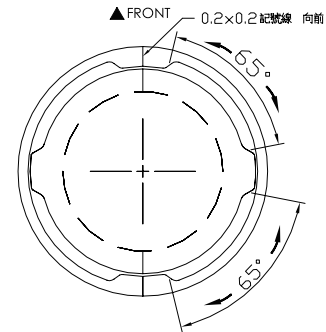
Bearings: Sealed AC Bearings R457B

Material: Plastic cover w/TPR seal, AL6061 cups & AL7075 crown race

Finish: Anodized



Stack Hight=11.8+6=17.8±0.5



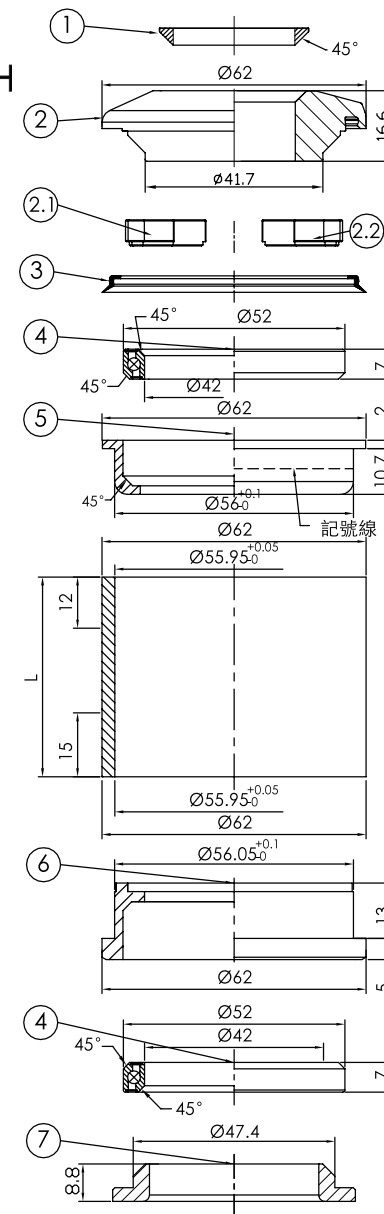
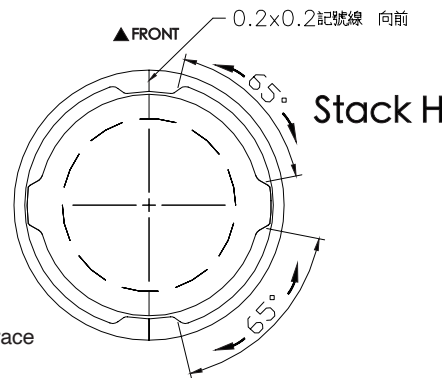
型號 (Model No)	零件料號 Item No.	ΦD	+0 -0.1
PT-F26AB-1	H6434	Φ39.8	+0 -0.1
PT-F26AB-2	H6440	Φ30.0	+0 -0.1

NO.	零件名稱 ITEM NAME	零件料號 ITEM NO.	材質 MATERIAL	數量 QTY
1	PT-67A 鋁墊圈 -Φ35x5 / SPACE	-	AL6061	1PCS
2	1 1/8" 鋁上蓋 (穿線) / TOP COVER	H1956	AL6061	1PCS
4.1	固定銷 -PIN / FIXING PIN	H7602	AL6061	1PCS
2.1	防水塞 -L / SEAL	A304-L	TPR	1PCS
2.2	防水塞 -R / SEAL	A304-R	TPR	1 PCS
3	防水圈 / SEAL	A301	Rubber	1PCS
4	束環 (穿線) / COMPRESSION RING	H2902	Nylon	1PCS
5	軸承 (52x42x45° x7)// SEALED BEARING	R457B	SUJ-2	2PCS
6	56 鋁軸承下碗 / LOWER CUP	H5527	AL6061	1PCS
7	角度下碗 / LOWER CUP	H5611	AL6061	1PCS
8	角度下塞 / CROWN RACE	-	AL7075	1PCS

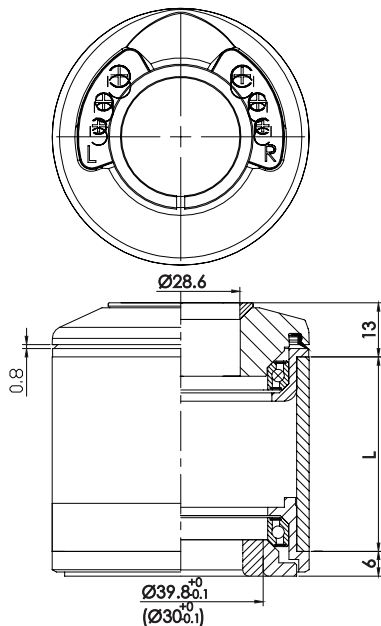
## PT-F27AB

ZS56/28.6 | ZS56/40

1.5" upper /1.5" bottom for tapered fork  
 Φ28.6\*56\*56\*39.8  
 Rotation angle 130°  
 Alloy headset blocking Design crown race  
 Height :17+6=23mm  
 Bearings: Sealed AC Bearings R457B  
 Material: Plastic cover w/TPR seal, AL6061 cups & AL7075 crown race  
 Finish: Anodized



HEAVY DUTY HEADSET



Stack Height= 13+6=19±0.5

型號 (Model No)	零件料號 Item No.	ØD	+0 -0.1
PT-F27AB-1	H6434	Ø39.8	+0 -0.1
PT-F27AB-2	H6440	Ø30.0	+0 -0.1

NO.	零件名稱 ITME NAME	零件料號 ITEM NO.	材質 MATERIAL	數量 QTY
1	尼龍束環 / SPACE	H2895	Nylon	1PCS
2	尼龍上蓋 / TOP COVER	H1942	Nylon	1PCS
2.1	防水塞 -L / SEAL	A304-L	TPR	1PCS
2.2	防水塞 -R / SEAL	A304-R	TPR	1PCS
3	防水圈 / SEAL	A301	Rubber	1PCS
5	軸承 (52x42x45° x7) // SEALED BEARING	R457B	SUJ-2	2PCS
6	56 鋁軸承下碗 / LOWER CUP	H5527	AL6061	1PCS
7	角度下碗 / LOWER CUP	H5611	AL6061	1PCS
8	角度下塞 / CROWN RACE	-	AL7075	1PCS



## PT-F27NCA

ZS56/28.6 | ZS56/40

1.5" upper /1.5" bottom for tapered fork

Φ28.6\*56\*56\*39.8

Rotation angle 130°

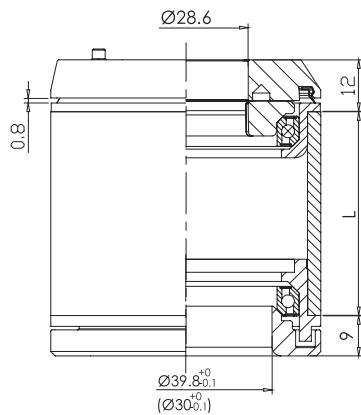
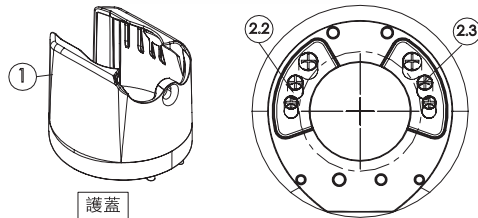
Alloy headset blocking Design crown race

Height :17+6=23mm

Bearings: Sealed AC Bearings R457B

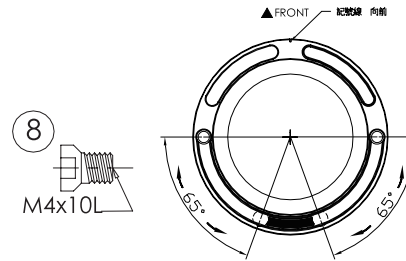
Material: Plastic cover w/TPR seal, AL6061 cups & AL7075 crown race

Finish: Anodized

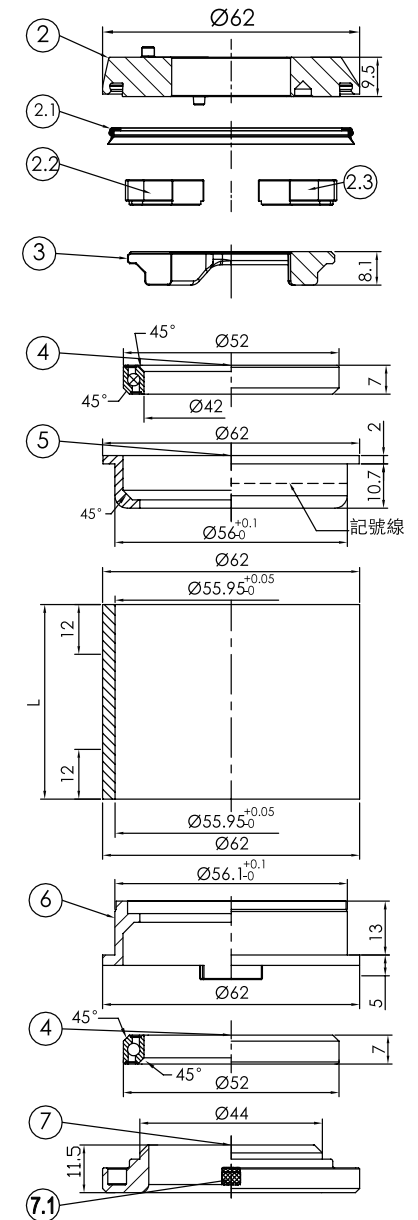


Stack Hight=12+9=21±0.5

型號 MODEL NO.	零件料號 Item No.	ΦD	+0 -0.1
PT-F27NCA-1	H6231-1	Φ39.8	+0 -0.1
PT-F27NCA-2	H6231-2	Φ30.0	+0 -0.1

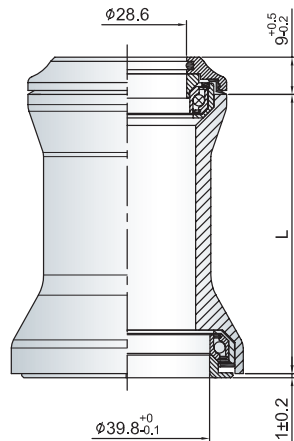


NO.	零件名稱 ITEM NAME	零件料號 ITEM NO.	材質 MATERIAL	數量 QTY
1	護蓋 / PROTECTIVE COVER	H1933	Nylon	1PCS
2	1 1/8" 鋁上蓋 (穿線) / TOP COVER	H1932	Nylon	1PCS
2.1	防水圈 / SEAL	A301	Rubber	1PCS
2.2	防水塞 -L / SEAL	A304L	TPR	1PCS
2.3	防水塞 -R / SEAL	A304R	TPR	1PCS
3	束環 (穿線) / COMPRESSION RING	H2902	Nylon	1PCS
4	軸承 / 52x42x45*7 / SEALED BEARING	R457B	SUJ2	2PCS
5	56 鋁軸承上碗 / UPPER CUP	H5527	AL6061	1PCS
6	角度下碗 / LOWER CUP	H5631	AL6061	1PCS
7	角度下塞 / CROWN RACE	-	AL7075	1PCS
7.1	擋塞子 / PLUG	H8402	Rubber	2PCS
8	皿頭螺絲 / BLOP	L1097	SCM	1PCS





**LIGHT BEARINGS**



STACK HEIGHT =  
9.0 + 1.0 = 10.0 ± 0.2

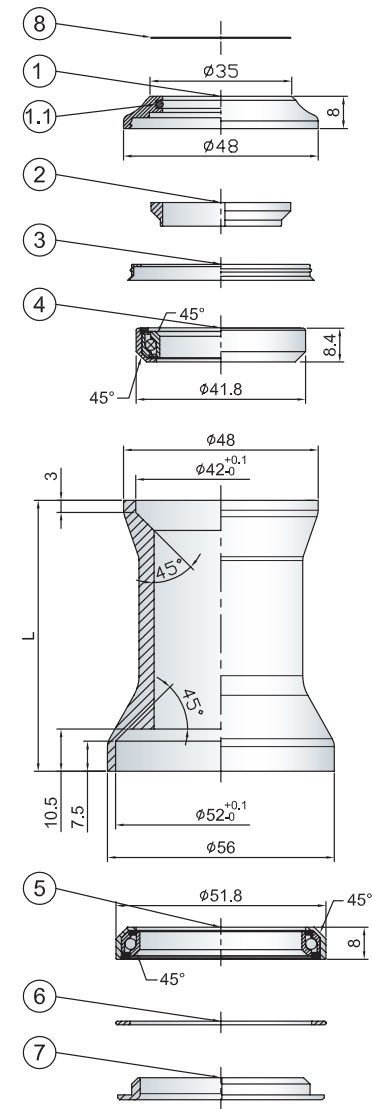
## PT-1860K

IS42/28.6 | IS52/40

Integrated 1 1/8" Upper / 1.5" Bottom  
 For different OD headtube  
 Ø28.6\* 41.8\* 51.8\* 39.8 (conical cone OD size Ø48mm)  
 Height: 9.0+1.0=10.0mm, top cover H: 8mm  
 Weight: 66g  
 Bearings: Sealed AC Bearings (Alloy cone)  
 41.8\* 45°\* 8.4 (R446 A) Upper  
 51.8\* 45°\* 8 (R447 A) Lower  
 Material: Top cover AL-6061, W/AL7075 crown race  
 Finish: Anodized

AL6061 top cover OD48, Bearing(Alloy cone), AL7075 crown race

NO.	零件名稱 ITEM NAME	零件料號 ITEM NO.	材質 MATERIAL	數量 QTY
1	1 1/8" 鋁上蓋 / TOP COVER	115-H1824-8	AL6061	1PCS
1.1	O 型圈 / O-RING	A255	Rubber	1PCS
2	1 1/8" 鋁束環 / COMPRESSION RING	H2807	AL6061	1PCS
3	防水圈 / SEAL	A260	Rubber	1PCS
4	鋁蓋軸承 / SEALED BEARING (ALLOY CONE)	R446A	-	1PCS
5	鋁蓋軸承 / SEALED BEARING (ALLOY CONE)	R447A	-	1PCS
6	防水片 / SEAL	A291	Rubber	1PCS
7	1.5" 鋁下塞 / CROWN RACE	H6427-1	AL7075	1PCS
8	馬口鐵 (出貨須附件) / MICRO SPACER	WS0002	Tin	1PCS



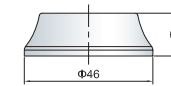
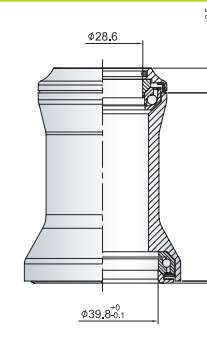
INTEGRATED HEADSET



## PT-1860H

IS42/28.6 | IS52/40

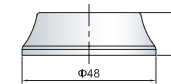
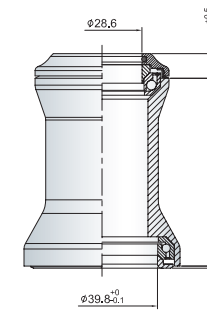
Height 8.8+1=9.8mm, top cover:8mm  
 Weight 74g  
 Bearings Sealed AC Bearings  
 w/High-heat blackening outer&inner cone  
 1.8x45°x8(R418B) Upper  
 51.8x45°x8(R425B) Lower  
 Material Top cover:AL6061  
 w/AL7075 crown race  
 Finish Anodized  
AL6061 top cover OD46, High-heat Blackening Bearing,  
 AL7075 crown race



## PT-1860A / PT-1860AS

IS42/28.6 | IS52/40

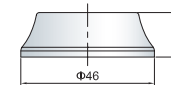
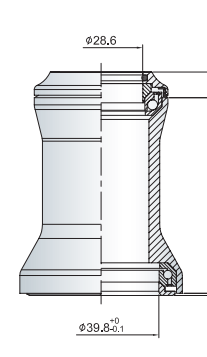
Height 8.8+1=9.8mm, top cover:8mm  
 Weight 74g  
 Bearings Sealed AC Bearings  
 41.8x45°x8(R418) Upper  
 51.8x45°x8(R425) Lower  
 Material Top cover:AL6061  
 w/AL7075 crown race  
 Finish Anodized  
 PT-1860AS Crown race ø30mm for 1 1/8" straight steerer  
AL6061 top cover OD48, Bearing, AL7075 crown race



## PT-1860 / PT-1860S

IS42/28.6 | IS52/40

Height: 8.8+1=9.8mm, top cover: 8mm  
 Weight: 74g  
 Bearings: Sealed AC Bearings  
 41.8° 45°\* 8 (R418) Upper  
 51.8° 45°\* 8 (R425) Lower  
 Material: Top cover AL6061, W/AL7075 crown race  
 Finish: Anodized  
AL6061 top cover OD46, Bearing, AL7075 crown race





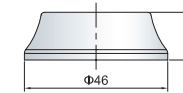
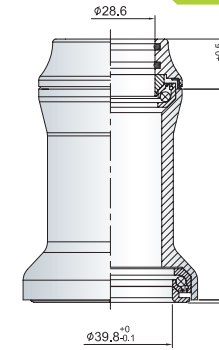
## PT-1860E / PT-1860ES

IS42/28.6 | IS52/40

Bearings Cartridge ball Bearings (Economic bearings)  
 Upper 41.8 x 45° /  
 Lower 51.8 x 45° x 7.5H

Material Top cover : AL6061 w/Alloy crown race  
 Height 8.8+1=9.8mm, top coner 8mm

PT-1860ES Crown race ø30mm for 1 1/8" straight steerer  
 AL6061 top cover OD46, Cartridge Bearing, AL7075 crown race



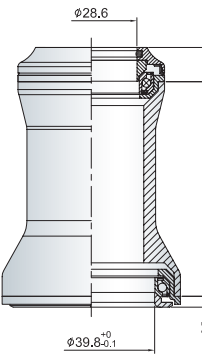
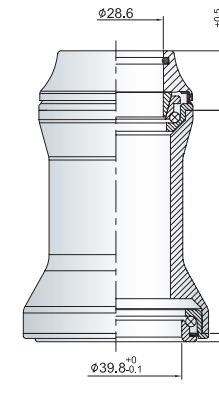
## F-23

ZS42/28.6 | ZS52/40

1 1/8" Upper / 1.5 Bottom  
 ø28.6xID42xID52x39.8

Height 18+2.5=20.5mm  
 Bearings upper 1/8" x 25 , Lower 1/8" x 30  
 Material Steel w/alloy top cover  
 Finished EDBK

AL6061 top cover, steel cups w/Ball Retainer,  
 steel crown race



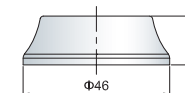
## F-23A

ZS42/28.6 | ZS52/40

1 1/8" Upper / 1.5 Bottom  
 ø28.6xID42xID52x39.8

Height 10.7+3.4=14.1mm, topc cover:8mm  
 Bearings upper R411 , Lower R448B Sealed AC bearings  
 Material Full set alloy CNC machined  
 Finished EDBK

AL6061 top cover, AL6061 cups w/Bearing, AL7075 crown race





## F-1859A

IS42/28.6 | IS47/33

Integrated, 1. 1/8" Upper / 1. 1/4" Bottom for different OD headtube

ø28.6x41.8x46.9x33

Height 8.8+1=9.8mm, top cover:8mm

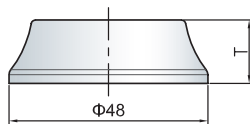
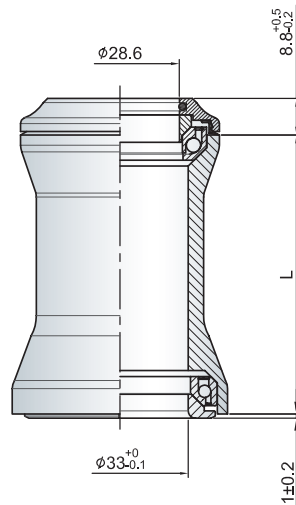
Weight 70 g

Bearings Sealed AC Bearings  
41.8x45°x8(R418) Upper  
46.9x45°x7(R424) Lower

Material Top cover:AL6061 top cover  
OD ø48mm  
w/AL7075 crown race

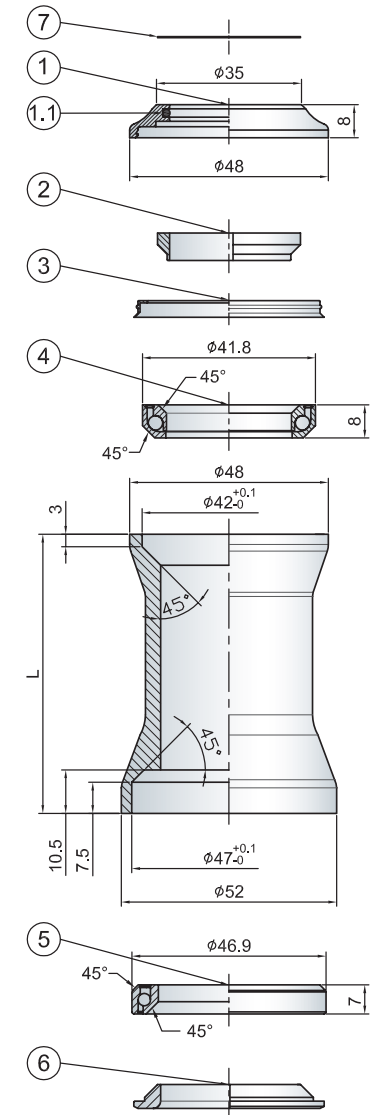
Finish Anodized

AL6061 top cover OD48, Bearing,  
AL7075 crown race



型號 MODEL NO.	零件料號 Item No.	T	總高 STACK HEIGHT
PT-1859A-1	115-H1824-8	8	8.8+1=9.8±0.5
PT-1859A-2	115-H1824-15	15	15.8+1=16.8±0.5

NO.	零件名稱 ITME NAME	零件料號 ITEM NO.	材質 MATERIAL	數量 QTY
1	1 1/8" 鋁上蓋 / TOP COVER	-	AL6061	1PCS
1.1	O 型圈 / O-RING	A255	Rubber	1PCS
2	1 1/8" 鋁束環 / COMPRESSION RING	H2801	AL6061	1PCS
3	防水圈 / SEAL	A260	Rubber	1PCS
4	軸承 / SEALED BEARING	R418	SUJ2	1PCS
5	軸承 / SEALED BEARING	R424	SUJ2	1PCS
7	1 1/4" 鋁下塞 / CROWN RACE	H6419-1	AL7075	1PCS
8	馬口鐵 (出貨須附件) / MICRO SPACER	WS0002	Tin	1PCS





## PT-1859

IS42/28.6 | IS47/33

Integrated, 1. 1/8" Upper /1. 1/4" Bottom  
For different OD headtube

ø28.6x41.8x46.9x33

Height 8.8+1=9.8mm, top cover:8mm

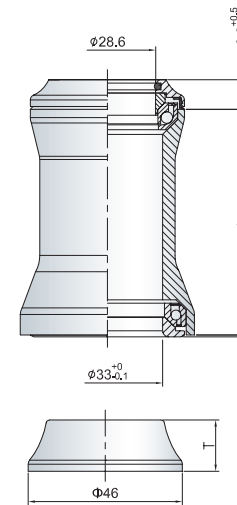
Weight 70 g

Bearings Sealed AC Bearings  
41.8x45°x8(R418) Upper  
46.9x45°x7(R424) Lower

Material Top cover:AL6061  
w/AL7075 crown race

Finish Anodized

[AL6061 top cover OD46, Bearing,](#)  
[AL7075 crown race](#)



## PT-1859H

IS42/28.6 | IS47/33

Integrated, 1. 1/8" Upper /1. 1/4" Bottom  
for different OD headtube

ø28.6x41.8x46.9x33

Height 8.8+1=9.8mm, top cover:8mm

Weight 70 g

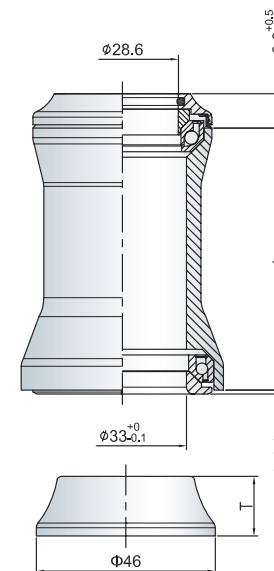
Bearings Sealed AC Bearings  
**W/ High-heat blackening outer  
& inner cone**

41.8x45°x8(R418B) Upper  
46.9x45°x7(R424B) Lower

Material Top cover:AL6061  
w/AL7075 crown race

Finish Anodized

[AL6061 top cover OD46, High-heat Blackening](#)  
[Bearing, AL7075 crown race](#)





## PT-1851BA

IS42/28.6 | IS42/30

1 1/8", Integrated  
 ø28.6x41.8x30

Height 8.8+1=9.8mm, top cover:8mm  
 16.2+1=17.2mm, top cover:15mm  
 30.8+1=31.8mm, top cover:30mm

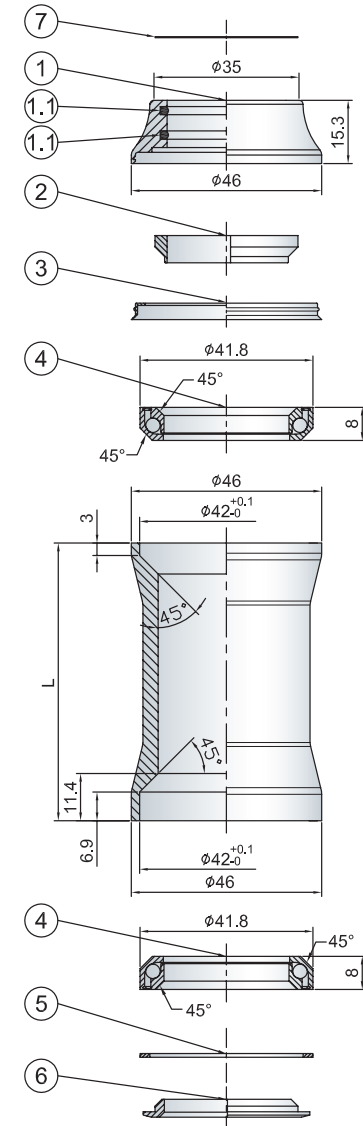
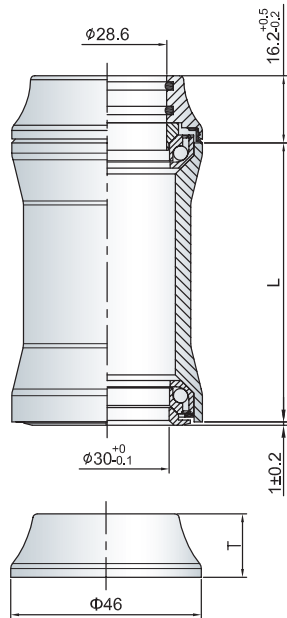
Bearings Sealed AC Bearings  
 41.8x45°x8(R418)

Material Top cover:AL6061 w/Alloy 7075 crown race  
 Finish Anodized

AL6061 top cover, Bearing, AL7075 crown race

型號 MODEL NO.	零件料號 Item No.	T	總高 STACK HEIGHT
PT-1851BA-1	H1815	15.3	16.2+1=17.2±0.5
PT-1851BA-2	H1816	30	30.8+1=31.8±0.5
PT-1851BA-3	H1824	8	8.8+1=9.8±0.5

NO.	零件名稱 ITEM NAME	零件料號 ITEM NO.	材質 MATERIAL	數量 QTY
1	1 1/8" 鋁上蓋 / TOP COVER	-	AL6061	1PCS
1.1	O 型圈 / O-RING	A255	Rubber	2PCS
2	1 1/8" 鋁束環 / COMPRESSION RING	H2801	AL6061	1PCS
3	防水圈 / SEAL	A260	Rubber	1PCS
4	軸承 / SEALED BEARING	R418	SUJ2	2PCS
5	防水片 / SEAL	R265	Nylon	1PCS
6	1 1/4" 鋁下塞 / CROWN RACE	H6213-1	AL7075	1PCS
7	馬口鐵 (出貨須附件) / MICRO SPACER	WS0002	Tin	1PCS





## PT-1851BH

IS42/28.6 | IS42/30

Height 8.8+1=9.8mm, top cover:8mm  
 16.2+1=17.2mm, top cover:15mm  
 30.8+1=31.8mm, top cover:30mm

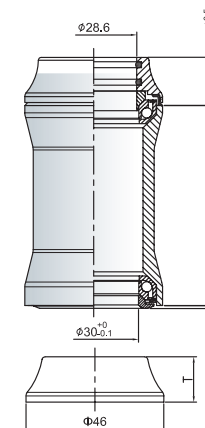
Weight 81 g (top cover:15mm)

Bearings Sealed AC Bearings  
**W/ High-heat blackening outer & inner cone**  
 41.8x45°x8(R418B)

Material Top cover:AL6061 w/steel  
 crown race

Finish Anodized

AL6061 top cover, High-heat Blackening Bearing, steel crown race



## PT-1851B

IS42/28.6 | IS42/30

Height 8.8+1=9.8mm, top cover:8mm  
 16.2+1=17.2mm, top cover:15mm  
 30.8+1=31.8mm, top cover:30mm

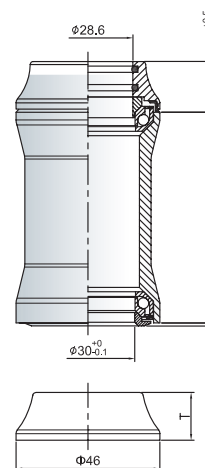
Weight 81 g (top cover:15mm)

Bearings Sealed AC Bearings  
 41.8x45°x8(R418)

Material Top cover:AL6061 w/steel  
 crown race

Finish Anodized

AL6061 top cover, Bearing, steel crown race



## PT-1852B

IS42/28.6 | IS42/30

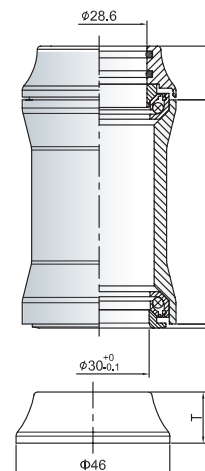
Height 16.1+1=17.1mm, top cover:15mm

Weight 77 g

Bearings cartridge ball bearings  
 41.8x 45°x7.7(R430)

Option 1852BE conical cone OD 45mm

AL6061 top cover, Cartridge Bearing, steel crown race





## PT-1851H

IS41/28.6 | IS41/30

1 1/8", Integrated

ø28.6x41x30

Height 8.8+1=9.8mm, top cover:8mm  
16+1=17mm, top cover:15mm  
30.8+1=31.8mm, top cover:30mm

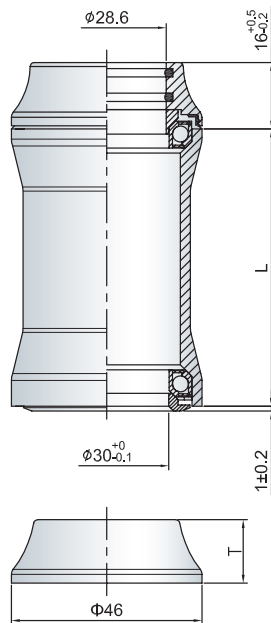
Weight 69g (top cover:15mm)

Bearings Sealed AC Bearings  
41x45°x6.5(R408B)

Material Top cover:AL6061 w/steel crown race

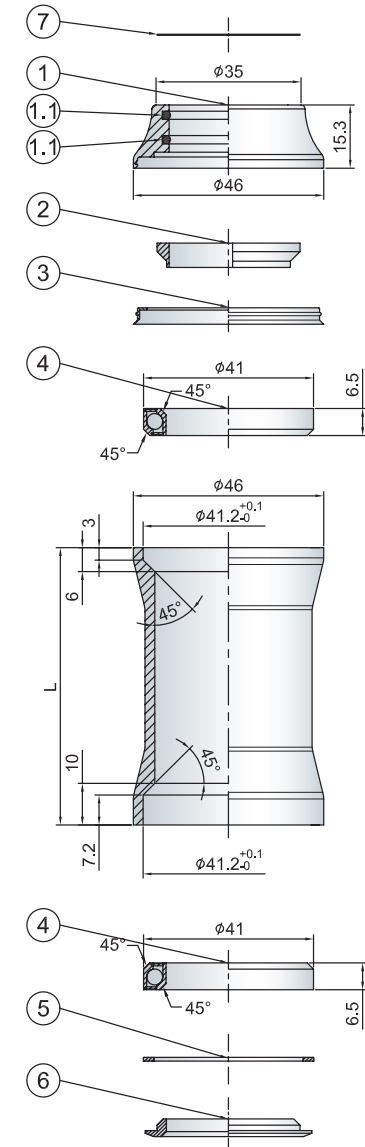
Finish Anodized

AL6061 top cover, High-heat Blackening Bearing, steel crown race.



型號 MODEL NO.	零件料號 Item No.	T	總高 STACK HEIGHT
PT-1851H-1	H1815	15.3	16.2+1=17.2±0.5
PT-1851H-2	H1816	30	30.8+1=31.8±0.5
PT-1851H-3	H1824	8	8.8+1=9.8±0.5

NO.	零件名稱 ITEM NAME	零件料號 ITEM NO.	材質 MATERIAL	數量 QTY
1	1 1/8" 鋁上蓋 / TOP COVER	-	AL6061	1PCS
1.1	O 型圈 / O-RING	A255	Rubber	2PCS
2	1 1/8" 鋁束環 / COMPRESSION RING	H2807	AL6061	1PCS
3	防水圈 / SEAL	A260	Rubber	1PCS
4	軸承 / SEALED BEARING	R408B	SUJ2	2PCS
5	防水片 / SEAL	R263	Nylon	1PCS
6	1 1/8" 鋁下塞 / CROWN RACE	H6204-3	1008	1PCS
7	馬口鐵 (出貨須附件) / MICRO SPACER	WS0002	Tin	1PCS



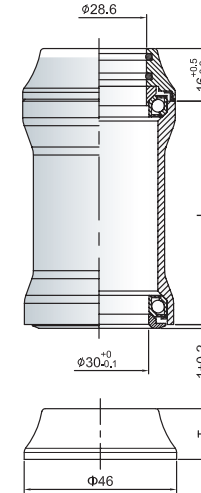


## PT-1851

**IS41/28.6 | IS41/30**

1 1/8", Integrated  
 ø28.6x41x30  
 Height 8.8+1=9.8mm, top cover:8mm  
 16+1=17mm, top cover:15mm  
 30.8+1=31.8mm, top cover:30mm  
 Weight 69g (top cover:15mm)  
 Bearings Sealed AC Bearings  
 41x45°x6.5(R408)  
 Material Top cover:AL6061 w/steel crown race  
 Finish Anodized

AL6061 top cover, Bearing, steel crown race

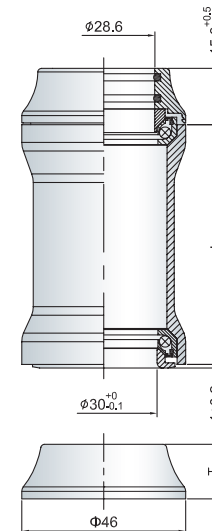


## PT-1852

**IS41/28.6 | IS41/30**

1 1/8", Integrated  
 ø28.6x41x30 (conical cone OD ø46mm)  
 Height 15.8+1=16.8mm, top cover:15mm  
 Weight 77 g  
 Bearings cartridge ball bearings  
 41x45°x7.7(R431)  
 Option 1852E conical cone OD ø45mm

AL6061 top cover, Cartridge Bearing, steel crown race



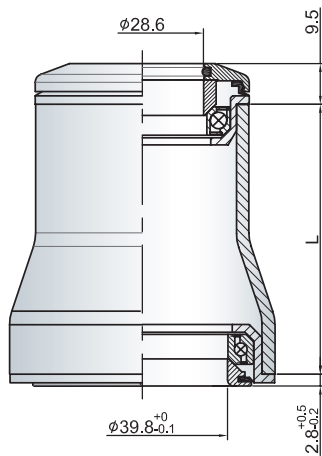


## PT-F13 / PT-F13S

ZS44/28.6 | ZS56/40

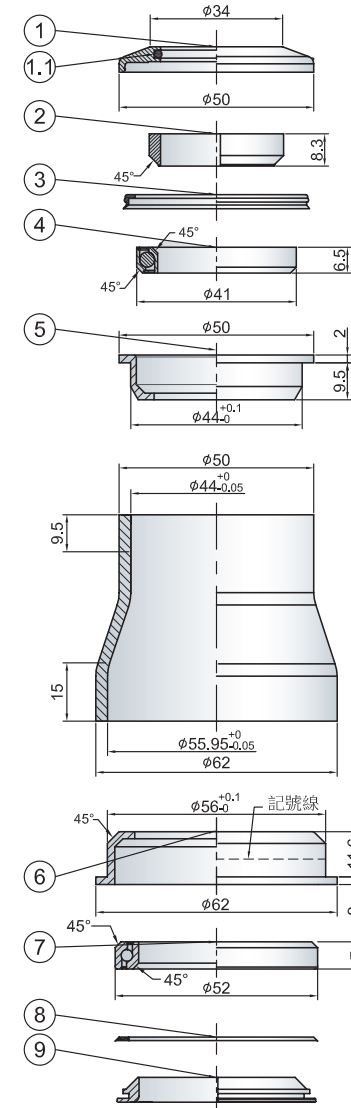
1. 1/8" Upper / 1.5" Bottom  
 Ø28.6\* ID44\* ID56\* 39.8  
 Height: 9.5+2.8=12.3mm  
 Weight: 100g  
 Bearings: Sealed AC Bearings (41\* 45°) (52\* 45°)  
 Material: AL6061-T6, w/7075 crown race  
 Finish: Anodized  
 Headtube: OD50mm ID44mm / OD62mm ID56mm  
 F13S Crown race Ø30 for 1 1/8" straight steerer

[AL6061 top cover 6.55H](#), [AL6061 cups w/Bearing](#), [AL7075 crown race](#)



STACK HEIGHT =  
 9.5 + 2.8 = 12.3 ± 0.5

NO.	零件名稱 ITEM NAME	零件料號 ITEM NO.	材質 MATERIAL	數量 QTY
1	1 1/8" 鋁上蓋 / TOP COVER	H1804	AL6061	1PCS
1.1	O 型圈 / O-RING	A255	Rubber	1PCS
2	1 1/8" 鋁束環 / COMPRESSION RING	H2808	AL6061	1PCS
3	防水圈 / SEAL	A256	Rubber	1PCS
4	軸承 / SEALED BEARING	R408	SUJ2	1PCS
5	鋁軸承上下碗 / UPPER CUP	H4563	AL6061	1PCS
6	1.5" 鋁下碗 / LOWER CUP	H5517-1	AL6061	1PCS
7	軸承 / SEALED BEARING	R413	SUJ2	1PCS
8	防水圈 / SEAL	A277	Rubber	1PCS
9	1 5" 鋁下塞 / CROWN RACE	H6413-1	AL7075	1PCS



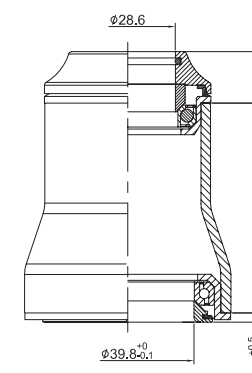


## F-13H / F-13HS

ZS44/28.6 | ZS56/40

1 1/8" Upper / 1.5" Bottom  
Sealed AC Bearings  
AL60616 w/7075 crown race  
F13HS crown race  $\phi 30$  for 1 1/8" straight steerer.

[AL6061 top cover 12.6H](#), [AL6061 cups w/Bearing](#),  
[AL7075 crown race](#)

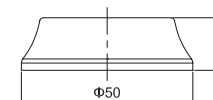
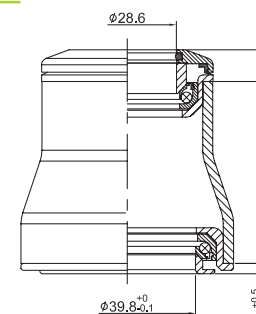


## F-13E

ZS44/28.6 | ZS56/40

Height 9.3+3=12.3mm  
Bearings Cartridge ball bearings  
Material Steel  
Finished Anodized + EDBK  
Headtube OD 50mm ID 44mm  
OD 62mm ID 56mm

[AL6061 top cover](#), [steel cups w/Cartridge Bearing](#),  
[steel crown race](#)

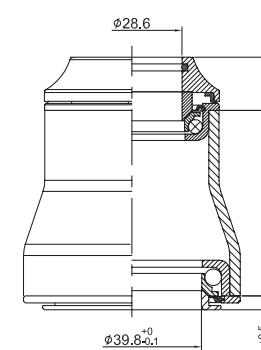


## F-13CH / F-13CHS

ZS44/28.6 | ZS56/40

Height 15.2+4=19.2mm  
Weight 152g  
Bearings upper 5/32"x22, Lower 3/16"x23  
Semi-cartridge bearings  
Material Steel w/alloy top cover  
Finished EDBK  
F13CHS crown race  $\phi 30$  for 1 1/8" straight steerer.

[AL6061 top cover 12.6H](#), [steel cups w/Semi-cartridge Bearing](#), [steel crown race](#)



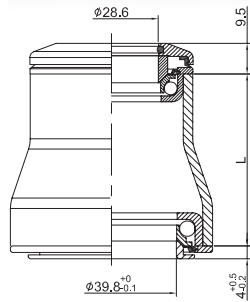


## F-13C / F-13CS

ZS44/28.6 | ZS56/40

Semi-cartridge bearings  
 upper 5/32"x22, Lower 3/16"x23  
 Steel w/alloy top cover  
 F13CS crown race  $\phi 30$  for 1 1/8" straight steerer.

[AL6061 top cover 6.55H, steel cups w/Semi-cartridge Bearing, steel crown race](#)

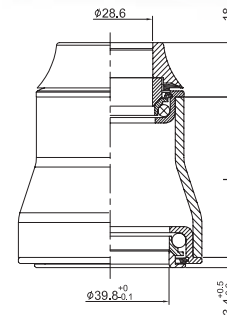


## F-13CP / PF-13CPS

ZS44/28.6 | ZS56/40

Upper 5/32"x22, Lower 3/16"x23  
 Height 18+3.4=21.4mm  
 Semi-cartridge bearings  
 Steel w/15mm plastic top cover  
 F13CPS crown race  $\phi 30$  for 1 1/8" straight steerer.

[Plastic top cover, steel cups w/Semi-cartridge Bearing, steel crown race](#)



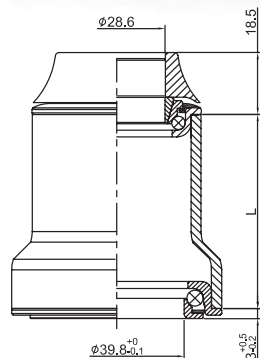
## F-13P / F-13PS

ZS44/28.6 | ZS56/40

$\phi 28.6 \times ID44 \times ID56 \times 39.8$

Height 18.5+3=21.5mm  
 Weight 126g  
 Bearings 5/32"x22, Lower 3/16"x23 (Ball retainer)  
 Material Steel w/15mm plastic top cover  
 Finished EDBK  
 Option F13PS crown race  $\phi 30$  (1 1/8")

[Plastic top cover, steel cups w/Ball Retainer, steel crown race](#)

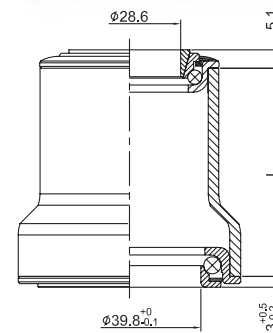


## F-13B / F-13BS

ZS44/28.6 | ZS56/40

1 1/8" Upper / 1.5 Bottom  
 $\phi 28.6 \times ID44 \times ID56 \times 39.8$   
 Height 5.1+3=8.1mm  
 Weight 125g  
 Bearings 5/32"x22, Lower 3/16"x23 (Ball retainer)  
 Material Steel  
 Finished EDBK  
 F13BS crown race  $\phi 30$  (1 1/8")

[No-top cover, steel cups w/Ball Retainer, steel crown race](#)



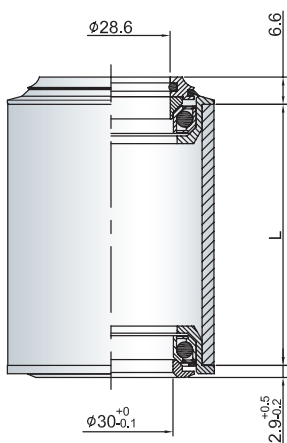
## PT-1808D

ZS44/28.6 | ZS44/30

1 1/8" Internal Headset  
 Ø28.6\* 44\* 30

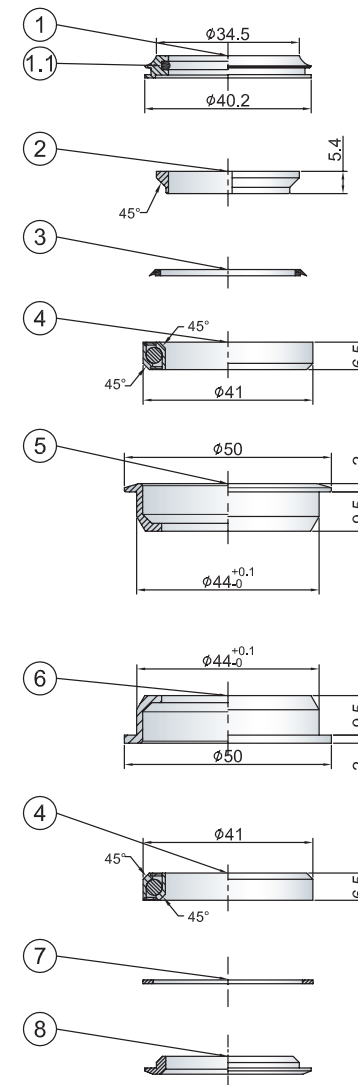
Height: 6.6+2.9=9.5mm  
 Weight: 77g  
 Bearings: Sealed AC bearings 41\* 45°\* 6.5  
 Material: AL6061, w/steel crown race  
 Finish: Anodized

AL6061 sleek top cover, AL6061 cups w/Bearing, steel crown race



STACK HIGHT =  
 6.6 + 2.9 = 9.5 ± 0.5

NO.	零件名稱 ITEM NAME	零件料號 ITEM NO.	材質 MATERIAL	數量 QTY
1	1 1/8" 鋁上蓋 / TOP COVER	H1867	AL6061	1PCS
1.1	O 型圈 / O-RING	A255	Rubber	1PCS
2	1 1/8" 鋁束環 / COMPRESSION RING	H2823	AL6061	1PCS
3	防水圈 / SEAL	A257	Rubber	1PCS
4	軸承 / SEALED BEARING	R408	SUJ2	2PCS
5	鋁上碗 / UPPER CUP	H4563-1	AL6061	1PCS
6	鋁軸承上下碗 / LOWER CUP	H4563	AL6061	1PCS
7	油封圈 / SEAL	A263	Nylon	1PCS
8	1 1/8" 鐵下塞 / CROWN RACE	H6204-3	1008	1PCS





## PT-1808H

ZS44/28.6 | ZS44/30

1 1/8", Internal

ø28.6x44x30

Height 15.5+2.9=18.4mm

Weight 94g

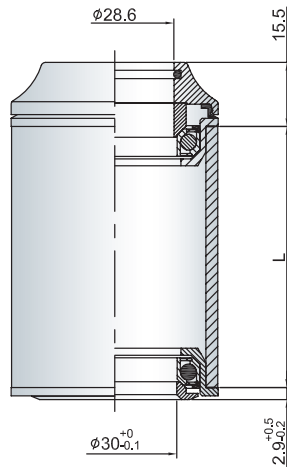
Bearings Sealed AC Bearings

41x45°x6.5

Material AL6061 w/steel crown race

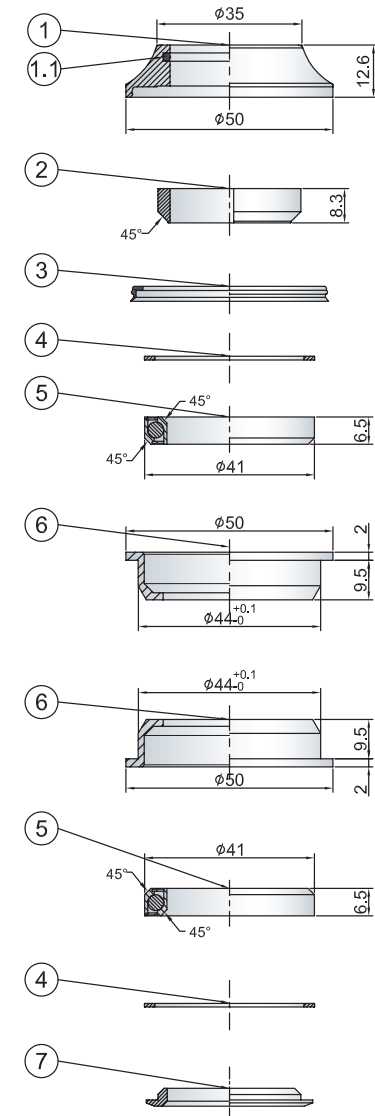
Finish Anodized

AL6061 top cover 12.6H, AL6061 cups w/Bearing, steel crown race



Stack Height =  
15.5 + 2.9 = 18.4 ± 0.5

NO.	零件名稱 ITEM NAME	零件料號 ITEM NO.	材質 MATERIAL	數量 QTY
1	1 1/8" 鋁上蓋 / TOP COVER	902-H1834	AL6061	1PCS
1.1	O 型圈 / O-RING	A255	Rubber	1PCS
2	1 1/8" 鋁束環 / COMPRESSION RING	H2808	AL6061	1PCS
3	防水圈 / SEAL	A256	Rubber	1PCS
4	油封圈 / SEAL	A263	Nylon	2PCS
5	軸承 / SEALED BEARING	H408	SUJ2	2PCS
6	鋁軸承上下碗 / LOWER CUP	H4563	AL6061	2PCS
8	1 1/8" 鐵下塞 / CROWN RACE	H6204-3	1008	1PCS



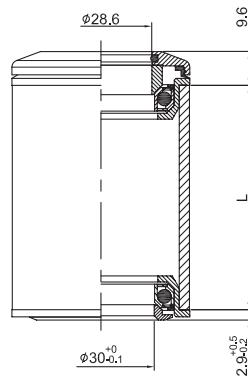


## PT-1808S

ZS44/28.6 | ZS44/30

Internal Headset, 1 1/8"  
Sealed AC Bearings 41 x 45° x 6.5  
AL6061 with steel crown race  
ZS44 / 28.6 | ZS44 / 30

AL6061 top cover 6.55H, AL6061 cups w/Bearing, steel crown race

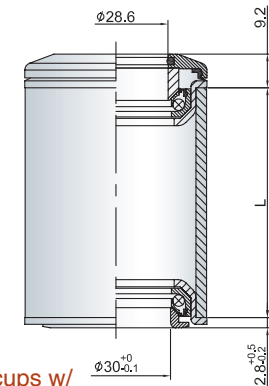


## PT-1806E

ZS44/28.6 | ZS44/30

1 1/8" Internal Headset  
Cartridge bell bearings  
w/steel cups & crown race  
AL6061 Alloy top cover  
ZS44 / 28.6 | ZS 44 / 30

AL6061 top cover 6.55H, steel cups w/ Cartridge Bearing, steel crown race



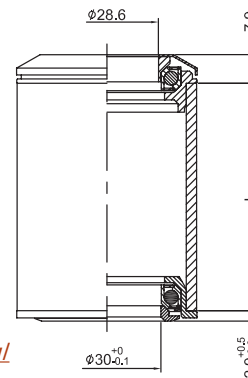
## PT-1808G

ZS44/28.6 | ZS44/30

Height 7.9+2.9=10.8mm  
Weight 77g  
Bearings Sealed AC bearings  
41 x 45° x H6.5 (R408)  
Material AL-6061 w/steel crown race  
Finish Anodized

AL6061 shell top cover, AL6061 cups w/ Bearing, steel crown race

*Lite*

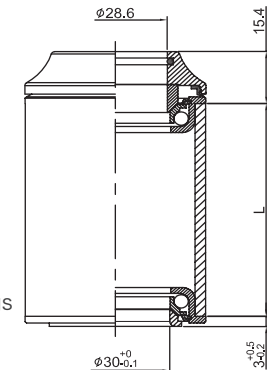


## PT-1805H

ZS44/28.6 | ZS44/30

1 1/8"  
ø28.6x44x30  
Height 15.4+3=18.4mm  
Weight 128.6g  
Bearings semi-cartridge bearings  
Material steel  
Finish EDBK

AL6061 top cover 12.6H, steel cups w/ Semi-cartridge Bearing, steel crown race

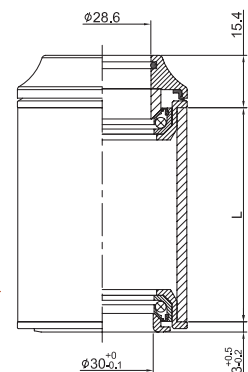


## PT-1808HE

ZS44/28.6 | ZS44/30

1 1/8" Internal Headset  
Cartridge ball bearings  
AL6961 w/steel crown race

AL6061 top cover 12.6H, AL6061 cups w/Cartridge Bearing, steel crown race



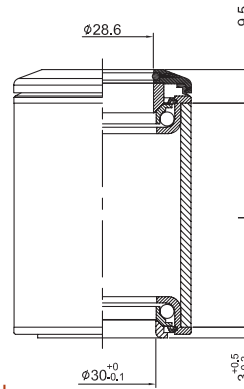


## PT-1805A

ZS44/28.6 | ZS44/30

1 1/8" (internal headset)  
 ø28.6x44x30 (Top cover ø28.6x50mm)  
 Height 9.2+3.3=12.5mm  
 Weight 126g  
 Bearings semi-cartridge (5/32"x22)  
 Material steel cups/alloy top cover w/water seal  
 Finish ED black cups/anodized top cover

[AL6061 top cover 6.55H, steel cups w/Semi-cartridge Bearing, steel crown race](#)

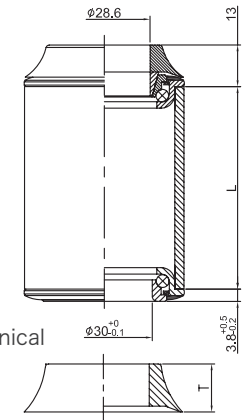


## PT-1800H

ZS44/28.6 | ZS44/30

1 1/8" Internal headset  
 ø28.6 x 44 x 30  
 Height 13+3.8=16.8mm  
 Weight 112.1g  
 Bearings 5/32"x 22  
 Material Steel w/10mm alloy conical spacer  
 Finish EDBK

[AL6061 top cover, steel cups w/Ball Retainer, steel crown race](#)

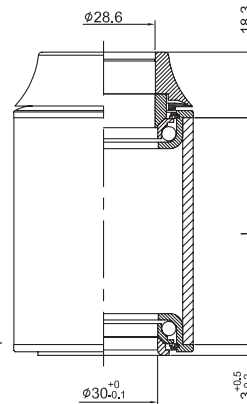


## PT-1805P

ZS44/28.6 | ZS44/30

1 1/8" (internal headset)  
 ø28.6x44x30  
 Height 18.3+3=21.3mm  
 Weight 121g  
 Bearings semi-cartridge (5/32"x22)  
 Material steel cups w/15mm plastic top cover  
 Finish ED black cups

[Plastic top cover, steel cups w/Semi-cartridge Bearing, steel crown race](#)

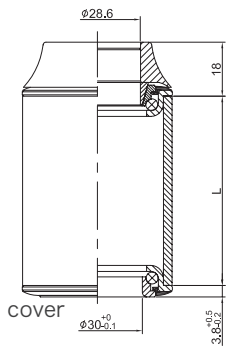


## PT-1800P

ZS44/28.6 | ZS44/30

1 1/8" Internal headset  
 ø28.6 x 44 x 30  
 Height 18+3.8=21.8mm  
 Weight 105g  
 Bearings 5/32"x 22 (Ball retainer)  
 Material Steel w/15mm plastic top cover  
 Finish EDBK

[Plastic top cover, steel cups w/Ball Retainer, steel crown race](#)

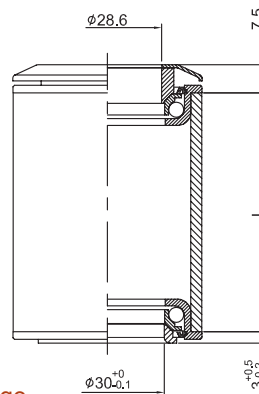


## PT-1805

ZS44/28.6 | ZS44/30

1 1/8", Internal headset  
 ø28.6x44x30  
 Height 7.5+3=10.5mm  
 Weight 118g  
 Bearings semi-cartridge (5/32" x 22)  
 Material steel  
 Finish EDBK

[steel shell top cover, steel cups w/Semi-cartridge Bearing, steel crown race](#)

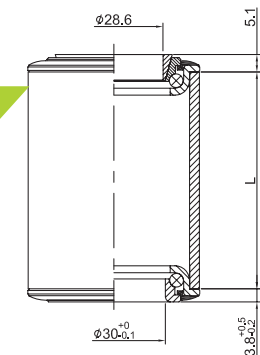


## PT-1800

ZS44/28.6 | ZS44/30

1 1/8", Internal headset  
 ø28.6x44x30  
 Height 5.1+3.8=8.9mm  
 Weight 96g  
 Bearings 5/32"x22  
 Material Steel  
 Finish EDBK

[No-top cover, steel cups w/Ball Retainer, steel crown race](#)



## PT-1805TF

ZS44/28.6-26tpi | ZS44/30

1 1/8" Internal Threaded Headset  
 ø25.4 x 44 x 30

Height 21.9+3=24.9mm

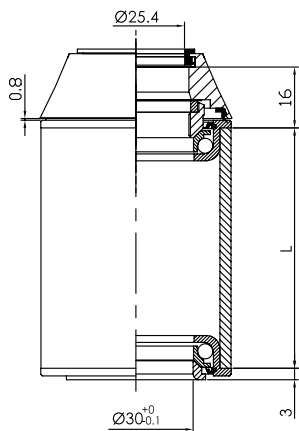
Weight 160g

Bearings Semi- Cartridge Bearings

Material Steel w/6061-T6 Top cover

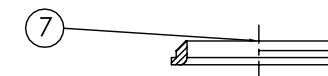
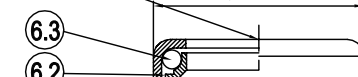
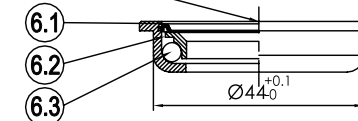
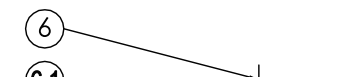
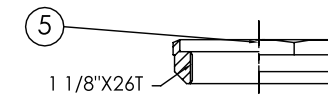
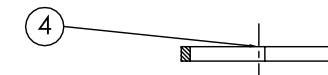
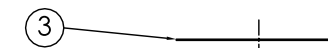
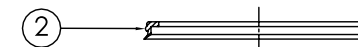
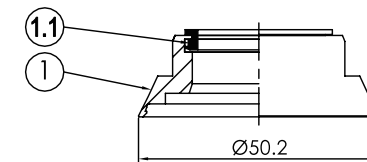
Finish EDBK/Anodized

AL6061 thread-looking top cover, steel cups w/Semi-cartridge Bearing, steel crown race.



Stack Hight=16+3=19±0.5

NO.	零件名稱 ITEM NAME	零件料號 ITEM NO.	材質 MATERIAL	數量 QTY
1	1 1/8" 鋁上蓋 /TOP COVER	H1954	AL6061	1PCS
1.1	1 1/8" 防水圈 / SEAL	A262	Nylon	1PCS
2	防水圈 / SEAL	A256	Rubber	1PCS
5	馬口鐵 / MICRO SPACER	WS0002	Tin	1PCS
6	3*32 有領華司 / KEY WASHER	H2202-1	1008	1PCS
7	1 1/8" 上塞 -45° / TOP COVER	H3202-1	1008	1PCS
8.1	半卡式隱藏式碗 SEMI CARTRIDGE UPPER CUP	H4554	1008	2PCS
8.2	防水圈 / SEAL	A251	Nylon	2PCS
8.3	內珠軌 / BALL RACE	H7201-1	4130	2PCS
9	5/32"x22 珠巢 / BALL RETAINER	R003	-	2PCS
	1 1/8" 鐵下塞 / CROWN RACE	H6204-6	1008	1PCS



INTERNAL THREADED HEADSET

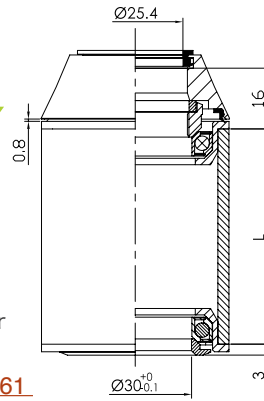


## PT-1808TF

ZS44/28.6-26tpi | ZS44/30

1 1/8"x26T (Internal threaded)  
 ø25.4x44x30  
 Height 22+3=25mm  
 Weight 157g  
 Bearings Semi- Cartridge Bearings  
 Material Steel w/6061-T6 Top cover  
 Finish Anodized/ED BK

AL6061 thread-looking top cover, AL6061 cups w/Bearing, steel crown race

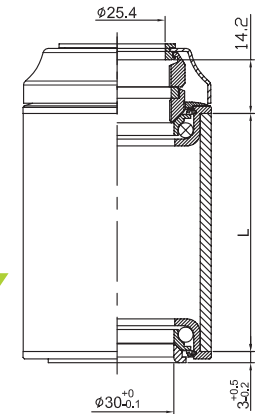


## PT-1805AT/ PT-1805NT

ZS44/28.6-26tpi | ZS44/30

1805NT steel top cover  
 1805AT alloy top cover  
 Semi-cartridge bearings

AL6061(steel) shell top cover 14.5H, steel cups w/Semi-cartridge Bearing, steel crown race

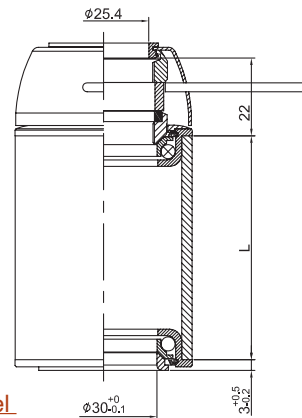


## PT-1805TL

ZS44/28.6-26tpi | ZS44/30

1 1/8"x26T (Internal threaded)  
 ø25.4x44x30  
 Height 22+3=25mm  
 Weight 157g  
 Bearings Semi- Cartridge Bearings  
 Material Steel w/6061-T6 Top cover  
 Finish Anodized/ED BK

AL6061 shell top cover 22H w/sling, steel cups w/Semi-cartridge Bearing, steel crown race

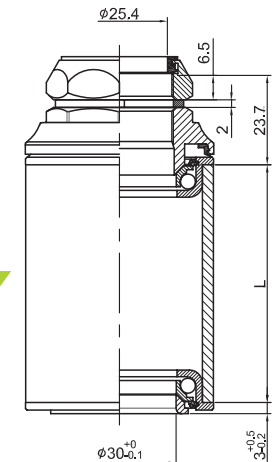


## PT-1805HT

ZS44/28.6-26tpi | ZS44/30

1 1/8"26T Internal Threaded Headset"  
 Ø25.4\* 44\* 30  
 Height: 23.7+3=26.7mm  
 Bearings: Semi- Cartridge Bearings  
 Material: Steel cups & Alloy Locknut  
 Finish: EDBK / Anodized

AL6061 lock nut, steel cups w/Semi-cartridge Bearing, steel crown race

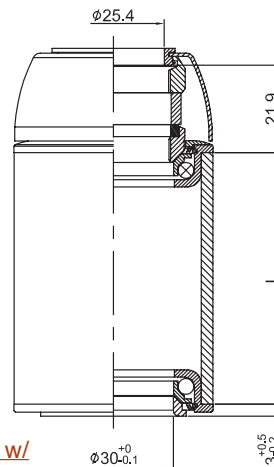


## PT-1805XT

ZS44/28.6-26tpi | ZS44/30

1 1/8" Internal Threaded Headset  
 ø25.4 x 44 x 30  
 Height 21.9+3=24.9mm  
 Weight 160g  
 Bearings Semi- Cartridge Bearings  
 Material Steel w/6061-T6 Top cover  
 Finish EDBK/Anodized

AL6061 shell top cover 22H, steel cups w/ Semi-cartridge Bearing, steel crown race



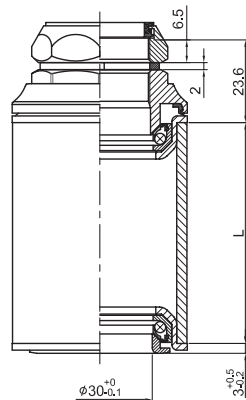


## F-1806ET

ZS44/28.6-26TPI | ZS44/30

Height: 23.6+3=26.6mm  
 Bearings: Sealed Cartridge ball bearings  
 Material: Steel cups & Alloy Locknut  
 Finish: EDBK / Anodized Black

AL6061 lock nut, steel cups w/Cartridge Bearing, steel crown race



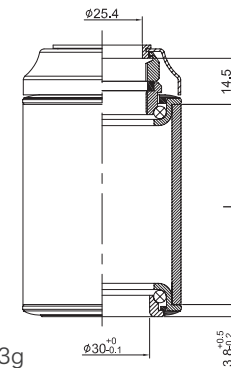
## PT-1800AT PT-1800NT

ZS44/28.6-26tpi | ZS44/30

Height 14.5+3.8=18.3mm  
 Weight PT-1800NT:143g / PT-1800AT:133g  
 Bearings 5/32"x22  
 Material Steel (PT-1800AT:Alloy6061-T6 top cover)  
 PT-1800NT : steel top cover / with water seal  
 Finish ED Black  
 Sets 11 pcs

The top cover give a lightweight, clean and unique look  
 Top cover covers Lock nut assembly

AL6061(steel) shell top cover 14.5H, steel cups w/Ball Retainer, steel crown race



## PT-1800AL

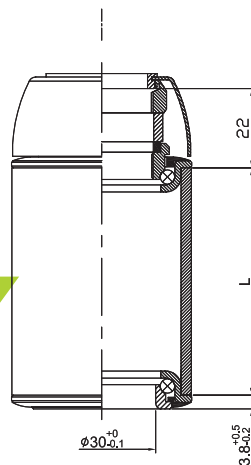
## PT-1800TL

STEEL TOP COVER

ZS44/28.6-26tpi | ZS44/30

Height 22+3.8=25.8mm  
 weight 151.4g  
 Bearing 5/32"x22  
 Material Steel, w/Alloy top cover  
 Finish ED Black

AL6061(steel) shell top cover 22H, steel cups w/Ball Retainer, steel crown race

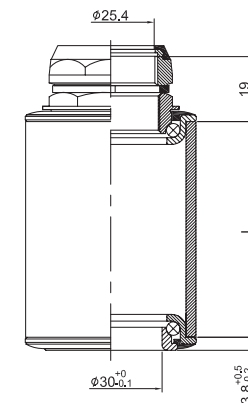


## PT-1800T

ZS44/28.6-26TPI | ZS44/30

1 1/8"x26T(Internal threaded headset)  
 Ø25.4x44x30  
 Height 19+3.8=22.8mm  
 Weight 142g  
 Bearings 5/32"x22  
 Material Steel  
 Finish ED Black

Zinc alloy lock nut, steel cups w/Ball Retainer, steel crown race





## PT-1767F

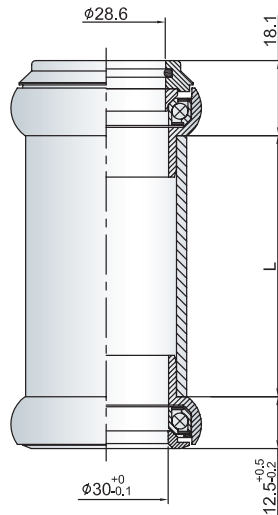
EC34/28.6 | EC34/30

1 1/8", Threadless  
 ø28.6x34x30

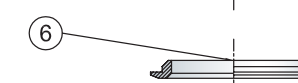
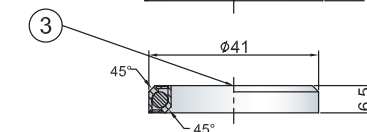
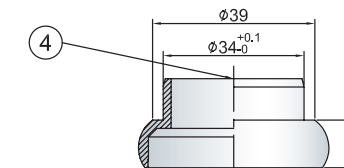
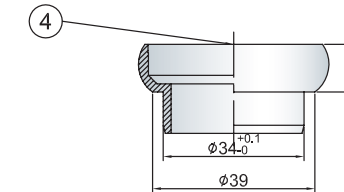
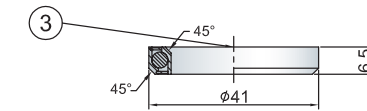
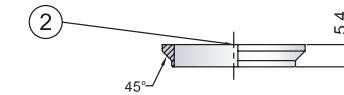
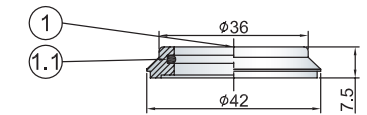
Height 18.1+12.5=30.6mm  
 Weight 94g  
 Bearings Sealed AC bearings  
 41x45°x6.5

Material AL6061 w/steel crown race  
 Finish Anodized / Hipolish +cp finished

AL6061 top cover 7.5H, AL6061 cups w/Bearing, steel crown race (Hipolish+cp finish)



NO.	零件名稱 ITEM NAME	零件料號 ITEM NO.	材質 MATERIAL	數量 QTY
1	1 1/8" 鋁上蓋 / TOP COVER	H1879	AL6061	1PCS
1.1	O 型圈 / O-RING	A255	Rubber	1PCS
2	1.5" 鋁束環 / COMPRESSION RING	H2823	AL6061	1PCS
3	軸承 / SEALED BEARING	R408	SUJ2	2PCS
4	1 1/8" 鋁上下碗 / CUP	H4572-1	AL6061	2PCS
5	油封圈 / SEAL	A263	Nylon	1PCS
6	1 1/8" 鐵下塞 / CROWN RACE	H6204-3	1008	1PCS



Stack Hight =  
 18.1 + 12.5 = 30.6 ± 0.5

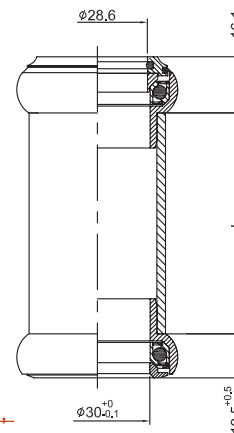


## PT-1767D

EC34/28.6 | EC34/30

Height 16.1+12.4=28.5mm  
 Weight 95 g  
 Bearings Sealed AC bearings  
 41x45°x6.5  
 Material AL6061 w/steel crown race  
 Finish Anodized / Hipolish +cp finished

AL6061 top cover 5.5H, AL6061 cups w/Bearing, steel crown race (Hipolish+cp finish)

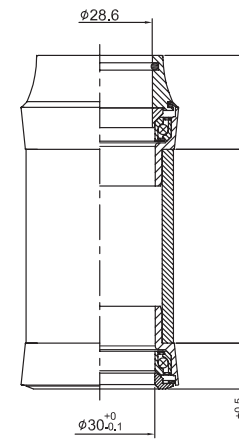


## PT-1763B

EC34/28.6 | EC34/30

Height 25.6+12.5=38.1mm  
 Weight 83g  
 Bearings Sealed AC bearings  
 39x45°x6.5H  
 Material AL6061 w/steel crown race  
 Finish Anodized

AL6061 top cover, AL6061 angular cups w/ Bearing, steel crown race

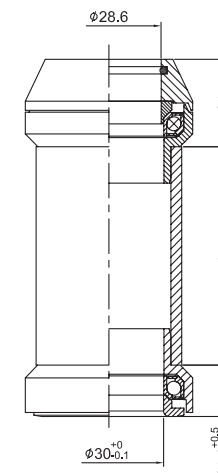


## PT-1752

EC34/28.6 | EC34/30

Height 24+14.1=38.1mm, top cover:14mm  
 Weight 100g  
 Bearings Sealed AC bearings  
 Material FULL set AL6061 CNC machined  
 cups With steel crown race  
 Finish Anodized silver or black  
 Sets 7pcs  
 Option/ PT-1753 cartridge AC bearings(Economic bearings)

AL6061 top cover, AL6061 dimensional cups w/ Bearing, steel crown race



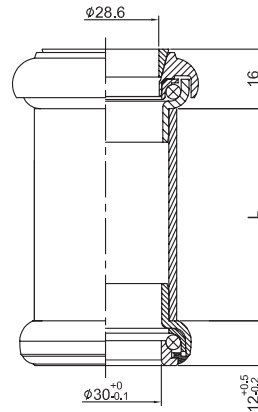
THREADLESS HEADSET



## PT-1770

EC34/28.6 | EC34/30

1 1/8", Threadless  
 ø28.6x34x30  
 Height 16.0+12.0=28mm  
 Weight 114 g  
 Bearings 5/32"x 22  
 Material steel / alloy  
 Finish Anodized  
 Set 8pcs



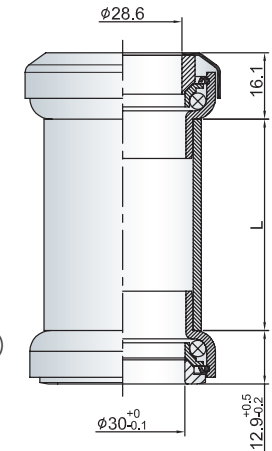
AL6061 top cover, steel upper cup AL6061 lower cup w/Ball Retainer, steel crown race



## PT-1606

EC34/28.6 | EC34/30

1 1/8", Threadless  
 ø28.6x34x30  
 Height 16.1+12.9=29.0mm  
 Weight 137g  
 Bearings Semi-cartridge (5/32"x22)  
 Material Steel  
 Finish EDBK



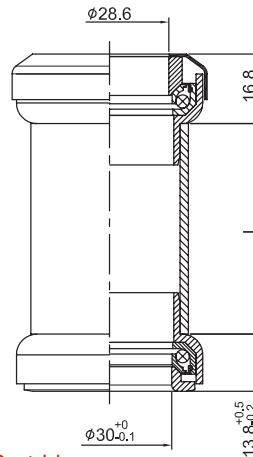
Steel shell top cover, steel cups w/Semi-cartridge Bearing, steel crown race



## PT-1609

EC34/28.6 | EC34/30

1 1/8", Threadless  
 ø28.6x34x30  
 Height 16.8+13.8=30.6mm  
 Weight 150g  
 Bearings Cartridge ball bearings  
 1/8"x25(R404)  
 Material Steel  
 Finish EDBK



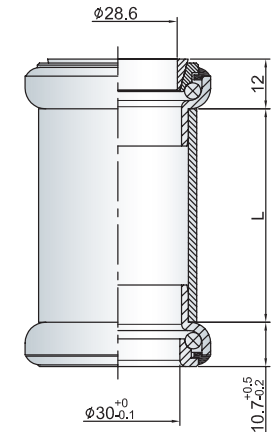
Steel shell top cover, steel cups w/Cartridge Bearing, steel crown race



## PT-1602

EC34/28.6 | EC34/30

1 1/8", Threadless  
 ø28.6x34x30  
 Height 12.0+10.7=22.7mm  
 Weight 108g  
 Bearings 5/32"x22  
 Material Steel  
 Finish EDBK  
 Sets 9pcs



No top cover, steel cups w/Ball Retainer, steel crown race

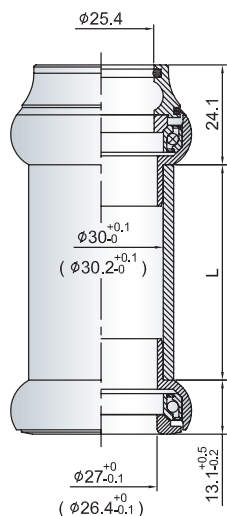


## PT-1209LD

EC30/25.4 | EC30/27

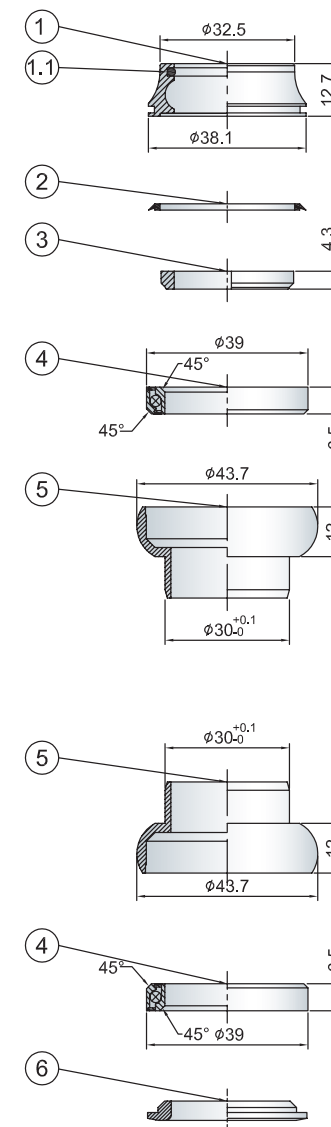
1" Threadless  
 ø25.4x30x27  
 Height 24.1+13.1=37.2mm  
 Weight 108.1g  
 Bearings Sealed AC Bearings  
 Material AL6061-T6 w/AL7075  
 crown race  
 Finish Anodized or Hi polish+cp finished

AL6061 top cover 12.7H, AL6061 cups w/  
 Bearing, AL7075 crown race



Stack Height =  
 24.1 + 13.1 = 37.2 ± 0.5

NO.	零件名稱 ITEM NAME	零件料號 ITEM NO.	材質 MATERIAL	數量 QTY
1	1" 鋁上蓋 / TOP COVER	H1870	AL6061	1PCS
1.1	O 型圈 ( Ø25.12x1.78 ) / O-RING	A269	Rubber	1PCS
2	防水圈 / SEAL	A257	Rubber	1PCS
3	1" 鋁束環 -4.3mm / COMPRESSION RING	H2843	AL6061	1PCS
4	軸承 / SEALED BEARING	R411	SUJ2	2PCS
5	1" 鋁上下碗 / CUP	H4504	AL6061	2PCS
6	鋁下塞 / CROWN RACE	H6009	AL7075	1PCS





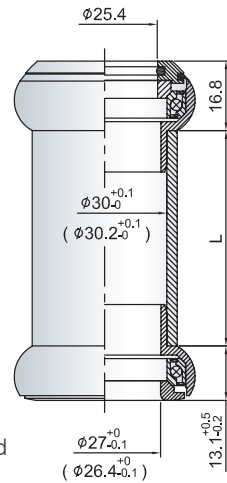
## PT-1209D

w/1701(1")

EC30/25.4 | EC30/27

1" Threadless  
 ø25.4x30x27  
 Height 16.8+13.1=29.9mm  
 Weight 72g  
 Bearings Sealed AC Bearings  
 39x45°x6.5  
 Material AL6061 w/AL7075 crown race  
 Finish Anodized or Hi polish+cp finished  
 option/ PT-1209A ø25.4 x 30.2 x 26.4

[AL6061 top cover 5.4H, AL6061 cups w/Bearing, AL7075 crown race](#)

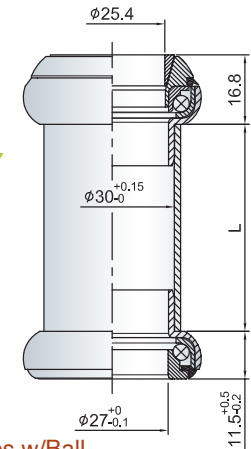


## PT-1210A

EC30/25.4 | EC30/27

1" Threadless  
 ø25.4x30x27  
 Height 16.8+11.5=28.3mm  
 Weight 81g  
 Bearings 5/32"x16  
 Material AL6061-T6  
 Finish Anodized  
 Set 9Pcs

[AL6061 top cover, AL6061 cups w/Ball Retainer, steel crown race](#)

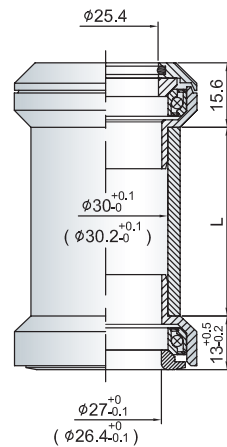


## PT-1207

EC30/25.4 | EC30/27

1" Threadless  
 Sealed AC Bearings  
 AL6061 w/AL7075 crown race

[AL6061 top cover, AL6061 dimensional cups w/Bearing, AL7075 crown race](#)

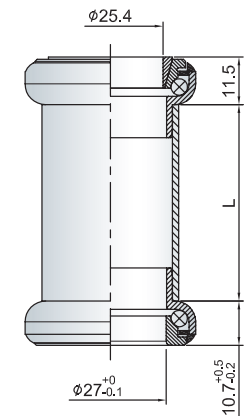


## PT-1202

EC30/25.4 | EC30/27

1" (Threadless)  
 ø25.4x30x27  
 Height 11.5+10.7=22.2mm  
 Weight 90g  
 Bearings 5/32"x16  
 Material Steel  
 Finish ED Black or CP  
 Sets 9pcs

[No top cover, steel cups w/Ball Retainer, steel crown race](#)



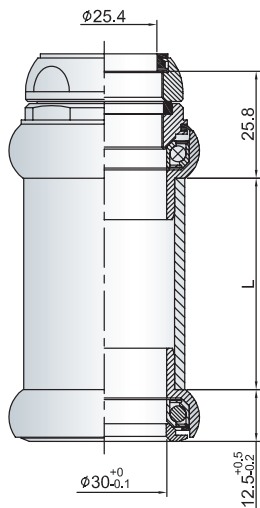


## PT-1507

EC34/28.6-26tpi | EC34/30

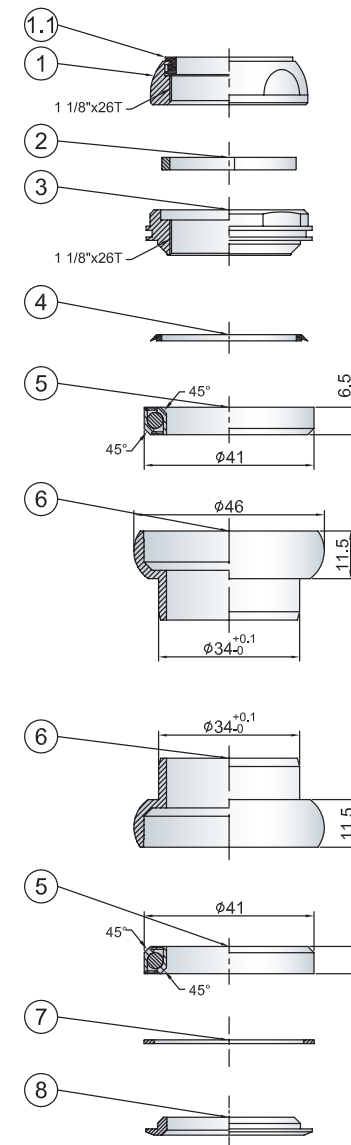
1-1/8"x26T, Threaded Headsets  
 ø25.4x34x30  
 Height 25.8+12.5=38.3mm  
 Weight 104.7g  
 Bearings Sealed AC bearings  
 Material Alloy  
 Finish Anodized

AL6061 lock nut, AL6061 cups w/Bearing, steel crown race



Stack Height =  
 25.8 + 12.5 = 38.3 ± 0.5

NO.	零件名稱 ITME NAME	零件料號 ITEM NO.	材質 MATERIAL	數量 QTY
1	1 1/8" 上迫緊 / LOCK NUT	H1253	AL6061	1PCS
1.1	1 1/8" 防水圈 / SEAL	A262	Nylon	1PCS
2	3*32 有領華司 / KEY WASHER	H2202-1	1008	1PCS
3	1 1/8" 鋁上塞 / TOP CONE	H1852	AL6061	1PCS
4	防水圈 / SEAL	A257	Rubber	1PCS
5	軸承 / SEALED BEARING	R408	SUJ2	2PCS
6	1 1/8" 鋁上下碗 / CUP	H4572	AL6061	2PCS
7	油封圈 / SEAL	A263	Nylon	1PCS
8	1 1/8" 鐵下塞 / CROWN RACE	H6204-3	1008	1PCS



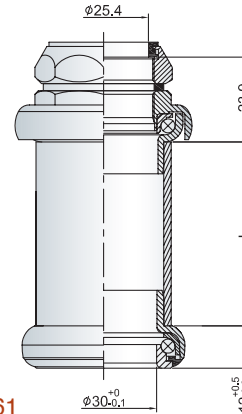
THREADED HEADSET



## PT-1508

EC34/28.6-26tpi | EC34/30

1 1/8" x 26T, Threaded headset  
 ø25.4x34x30  
 Height 23.9+12=35.9mm  
 Weight 123.2g  
 Bearing 5/32"x22  
 Material steel / alloy  
 Finish EDBK/ANOD.



AL6061 lock nut, steel upper cup AL6061 lower cup w/Ball Retainer, steel crown race

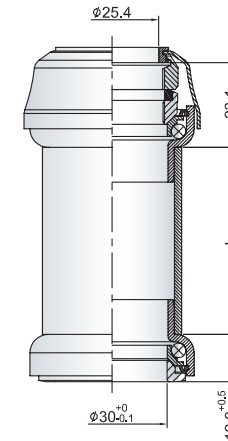


## PT-1502ANC

EC34/28.6-26tpi | EC34/30

ø25.4x34x30 (1 1/8" x 26T)  
 Semi-cartridge ball bearings  
 PT-1502NC : top cover:steel  
 PT-1502ANC : top cover:AL6061-T6

AL6061(steel) shell top cover, steel cups w/ Semi-cartridge Bearing, steel crown race

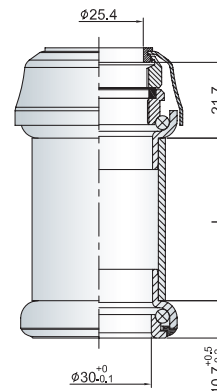


## PT-1502AN

EC34/28.6-26tpi | EC34/30

ø25.4x34x30 (1 1/8" x 26T)  
 5/32" x22  
 PT-1502N : top cover:steel  
 PT-1502AN : top cover:AL6061-T6

AL6061(steel) shell top cover, steel cups w/Ball Retainer, steel crown race



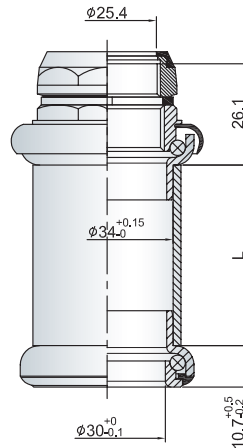


## PT-1502

**EC34/28.6-26tpi | EC34/30**

1 1/8"x26T, Threaded Headsets  
 ø25.4x34x30  
 Height 26.1+10.7=36.8mm  
 Bearings 5/32"x22  
 Material Steel  
 Finish Cp or EDBK

Zinc alloy lock nut, steel cups w/Ball Retainer, steel crown race

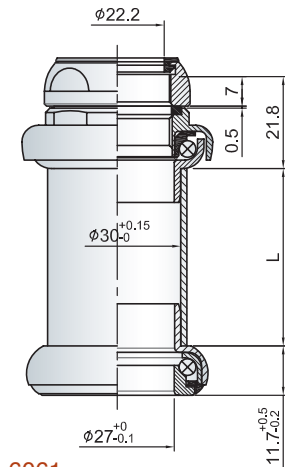


## PT-1107

**EC30/25.4-24tpi | EC30/27**

1"x24T, Threaded  
 ø22.2x30x27  
 Height 21.8+11.7=33.5mm  
 Weight 100.7g  
 Bearings 5/32"x16  
 Material AL6061-T6 /steel  
 Finish Anodized  
 Set 9Pcs

AL6061 lock nut, steel upper cup AL6061 lower cup w/Ball Retainer, steel crown race

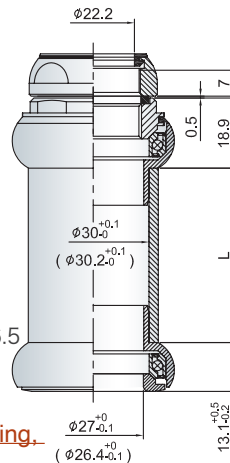


## PT-1105

**EC30/25.4-24tpi | EC30/27**

1"x24T, Threaded Headsets  
 ø22.2x30x27  
 Height 26.4+13.1=39.5mm  
 Weight 86.6g  
 Bearings Sealed AC bearing 39x45°x6.5  
 Material Alloy  
 Finish Anodized

AL6061 lock nut, AL6061 cups w/Bearing, AL7075 crown race

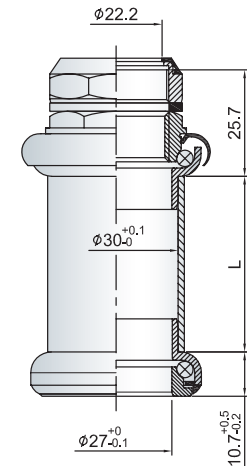


## PT-1103W

**EC30/25.4-24tpi | EC30/27**

1"x24T, Threaded Headsets  
 ø22.2x30x27  
 Height 25.7+10.7=36.4mm  
 Weight 140g  
 Bearings 5/32"x16  
 Material steel  
 Finish EDBK or CP

Zinc alloy lock nut, steel cups w/Ball Retainer, steel crown race



# BOTTOM BRACKETS

## ECENTRIC BB

Page	Item Number	Compatible with	Bearing No.	Bearing Type	BB Type	Spindle OD.
61	PT-6640	SHIMANO & SRAM	R414	Sealed cartridge bearing	BSA 1.37" x 24T 68/73 width PF30 frame	24/24 & 24/22mm

## DUB BB SYSTEM FOR 29 SPINDEL

Page	Item Number	Compatible with	Bearing No.	Bearing Type	BB Type	Spindle OD.
62	PT-6623PS	SRAM DUB	R407	Sealed cartridge bearing	BB86 / 92 Pressfit	29
63	PT-6623PST	SRAM DUB	R407	Sealed cartridge bearing	BB86 / 92 Pressfit	29
64	PT-6637PS	SRAM DUB	R433	Sealed cartridge bearing	PF30 w68/73 ID:46mm	29
65	PT-6637PST	SRAM DUB	R433	Sealed cartridge bearing	PF30 w68/73 ID:46mm	29
66	PT-6632PS	SRAM DUB	R433	Sealed cartridge bearing	BB30 w68/73 ID:42mm	29
67	PT-6632PST	SRAM DUB	R433	Sealed cartridge bearing	BB30 w68/73 ID:42mm	29
68	PT-6635U	SRAM DUB	R433	Sealed cartridge bearing	BB386 w/86/92 ID:46mm	29
69	PT-6635UT	SRAM DUB	R433	Sealed cartridge bearing	BB386 w/86/92 ID:46mm	29
70	PT-6638PS	SRAM DUB	R433	Sealed cartridge bearing	BSA 1.37 x 24T 68/73	29

## T47BB M47 x P1.0 THREADED

Page	Item Number	Compatible with	Bearing No.	Bearing Type	BB Type	Spindle OD.
71	PT-6639FT	SHIMANO	R414	Sealed cartridge bearing	M47 x P1.0 w86/92mm	24/24mm
72	PT-6641T	SHIMANO	R414	Sealed cartridge bearing	M47 x P1.0 w68/73mm	24/24mm
73	PT-6641TM	SRAM	R414	Sealed cartridge bearing	M47 x P1.0 w68/73mm	24/22mm
74	PT-6642	SHIMANO	R433	Sealed cartridge bearing	M47 x P1.0 w68/73/85.5/89.5/92mm	30mm
75	PT-6643	SRAM DUB	R433	Sealed cartridge bearing	M47 x P1.0 w68/73mm	29mm
76	PT-6644	SRAM DUB	R433	Sealed cartridge bearing	M47 x P1.0 w86/92mm	29mm

**PF30A24 / BB30A24 / BSABB30 / BB8630**

Page	Item Number	Compatible with	Bearing No.	Bearing Type	BB Type	Spindle OD.
77	PT-6639A	PF30A24	R451	Sealed cartridge bearing	PF30A24 ID:46mm w73mm	24/24mm
78	PT-6639FB	PF30A24	R433	Sealed cartridge bearing	PF30A24 ID:46mm w73mm	30/30mm
79	PT-6637AD	PF30A24	R433	Sealed cartridge bearing	PF30A24 ID:46mm w73mm	29/29mm
80	PT-6632A	BB30A24	R451	Sealed cartridge bearing	PF30A24 ID:42mm w73mm	24/24mm
81	PT-6637F	BB right	R414	Sealed cartridge bearing	BB right ID 46mm w/79mm	24/24mm
82	PT-6637FT	BB right	R414	Sealed cartridge bearing	BB right ID 46mm w/79mm	24/24mm
83	PT-6637FD	BB right	R433	Sealed cartridge bearing	BB right ID 46mm w/79mm	29/29mm
84	PT-6637FDT	BB right	R433/R433A	Sealed cartridge bearing (Ceramic)	BB right ID 46mm w/79mm	29/29mm
85	PT-6637FB	BB right	R433	Sealed cartridge bearing	BB right ID 46mm w/79mm	30/30mm

**BB386 / BB386 ADAPTER**

Page	Item Number	Compatible with	Bearing No.	Bearing Type	BB Type	Spindle OD.
86	PT-6638	BB386	R433	Sealed cartridge bearing	BB386 ID:46 w68/73/86.5mm	30mm
87	PT-6624B	BB8630	R454	Double ball orbit bearing	PF86 frame BB386 crankset ID:41 w86.5mm	30mm
88	PT-6635T / PT-6635TCB	BB386	R433	Sealed cartridge bearing	BB386 ID:46 w68/73/86.5mm	30mm
89	PT-6635D / 6635DCB (Ceramic)	BB386	R433	Sealed cartridge bearing	BB386 ID:46 w68/73/86.5mm	30mm
90	PT-6635AT / 6635ATM (SRAM)	SHIMANO	R451	Sealed cartridge bearing	BB386 adapter ID:46 w86.5mm	24/24mm
91	PT-6635SL	SHIMANO	R414	Sealed cartridge bearing	BB386 adapter ID:46 w86.5mm	24/24mm
92	PT-6635SM	SRAM	R414	Sealed cartridge bearing	BB386 adapter ID:46 w86.5mm	24/22mm
93	PT-6635SA	CAMPY	R414	Sealed cartridge bearing	BB386 adapter ID:46 w86.5mm	25/25mm

**PF30 / PF30 ADAPTER**

Page	Item Number	Compatible with	Bearing No.	Bearing Type	BB Type	Spindle OD.
94	PT-6637A	SHIMANO	R433	Sealed cartridge bearing	PF30 ID:46mm w68/73mm	30/30mm
95	PT-6637	SHIMANO	R414	Sealed cartridge bearing	PF30 adapter ID:46mm w68/73mm	24/24mm
	PT-6637/PT-6637CB	SHIMANO	R414A	Ceramic bearing	PF30 adapter ID:46mm w68/73mm	24/24mm
96	PT-6637H	SHIMANO	R444	Sealed cartridge bearing	PF30 adapter ID:46mm w68/73mm	24/24mm
97	PT-6639	SHIMANO	R451	Sealed cartridge bearing	PF30 adapter ID:46mm w68/73mm	24/24mm
	PT-6639CB	SHIMANO	R451A	Ceramic bearing	PF30 adapter ID:46mm w68/73mm	24/24mm
98	PT-6637M	SRAM	R414	Sealed cartridge bearing	PF30 adapter ID:46mm w68/73mm	24/22mm
	PT-6637MCB	SRAM	R414A	Ceramic bearing	PF30 adapter ID:46mm w68/73mm	24/22mm
99	PT-6639M	SRAM	R414	Sealed cartridge bearing	PF30 adapter ID:46mm w68/73mm	24/22mm
	PT-6639MCB	SRAM	R414A	Ceramic bearing	PF30 adapter ID:46mm w68/73mm	24/22mm

# BOTTOM BRACKETS

## BB30 ADAPTER

Page	Item Number	Compatible with	Bearing No.	Bearing Type	BB Type	Spindle OD.
100	PT-6632F	SHIMANO	R451	Sealed cartridge bearing	BB30 adapter ID:42mm w68/73mm	24/24mm
101	PT-6632D	SHIMANO	R414	Sealed cartridge bearing	BB30 adapter ID:42mm w68/73mm	24/24mm
102	PT-6632GM	SRAM	R451	Sealed cartridge bearing	BB30 adapter ID:42mm w68/73mm	24/22mm
103	PT-6632DM	SRAM	R414	Sealed cartridge bearing	BB30 adapter ID:42mm w68/73mm	24/22mm

## BB86 / BB92

Page	Item Number	Compatible with	Bearing No.	Bearing Type	BB Type	Spindle OD.
104	PT-6624AT / 6624ATM (SRAM)	SHIMANO	R451	Sealed cartridge bearing	BB86/92 Pressfit for ROAD&MTB ID:41	24/24mm
105	PT-6624	SHIMANO	R414	Sealed cartridge bearing	BB86/92 Pressfit for ROAD&MTB	24/24mm
	PT-6623	SRAM	R414	Sealed cartridge bearing	BB86/92 Pressfit for ROAD&MTB	24/22mm
106	PT-6624D / PT-6623D	SHIMANO / SRAM	R414	Sealed cartridge bearing	BB86/92 Pressfit for ROAD&MTB	24/24mm
107	PT-6624P / PT-6623P	SHIMANO / SRAM	R414	Sealed cartridge bearing	BB86/92 Pressfit for ROAD&MTB	24/24mm

## EXTERNAL BB

Page	Item Number	Compatible with	Bearing No.	Bearing Type	BB Type	Spindle OD.
108	PT-6628S	SHIMANO R60	R451	Sealed cartridge bearing	BSA 1.37" x 24T 68/73 for ROAD	24/24mm
109	PT-6629D	SHIMANO	R414	Sealed cartridge bearing	BSA 1.37" x 24T 68/73 for ROAD&MTB	24/24mm
110	PT-6630D	SRAM	R414	Sealed cartridge bearing	BSA 1.37" x 24T 68/73 for ROAD&MTB	24/22mm
111	PT-6628I	ITA 36mm x 24T	R414	Sealed cartridge bearing	ITA 36mm x 24T/70mm shell	24/24mm

## SQUARE COTTERLESS BB

Page	Item Number	Compatible with	Bearing No.	Bearing Type	BB Type	Spindle OD.
112	PT-6621AH / PT-6621AHCB		R403	Sealed cartridge bearing	BSA 1.37 x 24T w68mm	
113	PT-6621A		R403	Sealed cartridge bearing	BSA 1.37 x 24T w68mm	
114	PT-6621		R403	Sealed cartridge bearing	BSA 1.37 x 24T w68mm	
115	PT-6622		R403	Sealed cartridge bearing	BSA 1.37 x 24T w68mm	

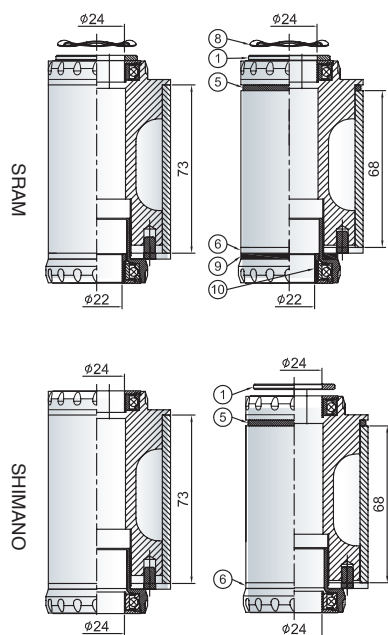


## PT-6640

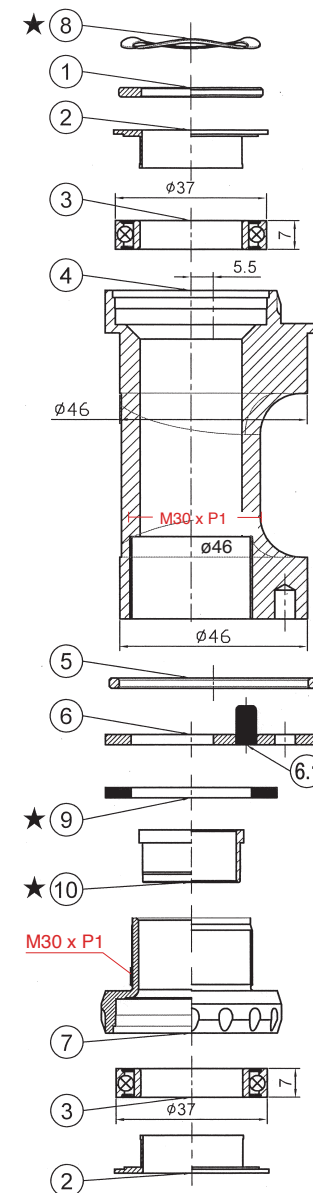
Eccentric BB/offset 5.5mm  
Full set CNC machined alloy

Weight: 247g  
Bearings: Sealed cartridge bearings  
bb width 68/73 & PF 46mm frame for  
Sram & Shimano cranksets anodized  
color

型號 MODEL NO.	零件料號 Item No.	材質 MATERIAL
PT-6640	R414	SUJ2
PT-6640CB	R414A	Ceramic



適用系統 SYSTEM	NO.	零件名稱 ITEM NAME	零件料號 ITEM NO.	材質 MATERIAL	數量 QTY	
SHIMANO	1	鋁墊圈 (φ35* φ24* 2.3) / SPACER	B620	AL6061	1PCS	
	2	防水圈 / SEAL	A266	Nylon	2PCS	
	3	6805 培林 / BEARING	-	-	2PCS	
	4	6640 偏心右碗 / BEARING	B265	AL6061	1PCS	
	5	鋁墊圈 (φ51* φ46.2* 2.5) / SPACER	B632	AL6061	1PCS	
	6	偏心墊圈 / SPACER	B648	AL6061	1PCS	
	6.1	固定銷 -Pin / PIN	H7601	AL6061	2PCS	
	7	6640 偏心左碗 / BEARING	B264	AL6061	1PCS	
	-	8	彈簧墊片 / SPRING WASHER	H2212	K7	1PCS
	-	9	鋁墊圈 (φ42* φ30.3* 2.5) / SPACER	B647	AL6061	1PCS
-	10	6640 鋁襯套 / BUSHING	B651	AL7075	1PCS	
		附 BB 說明書	B-36	-	1PCS	



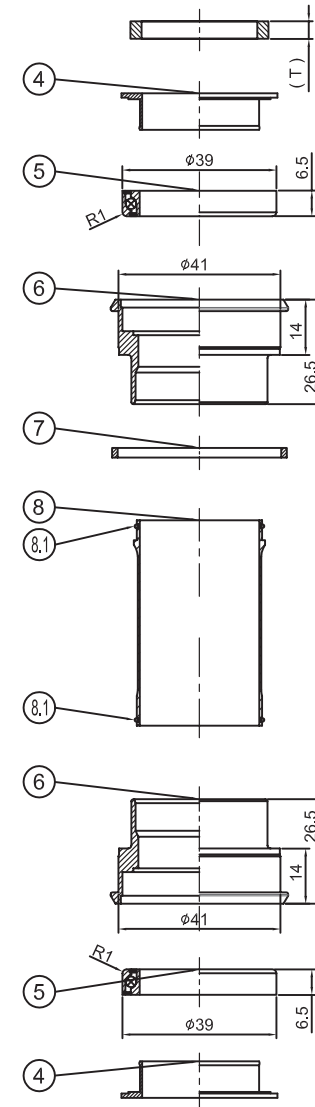
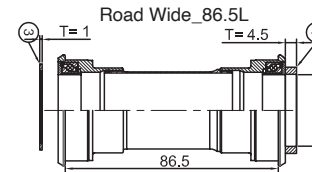
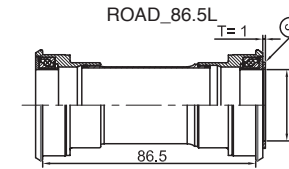
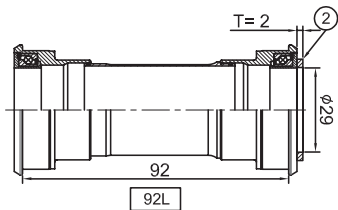
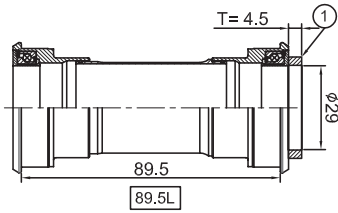
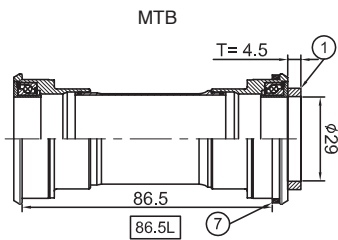


## PT-6623PS

For SRAM DUB BB86/BB92  
 PF BB86/BB92 frame  
 Forged alloy & CNC machined cups  
 Alloy shell w/double o ring seals

2 pcs Sealed cartridge bearings  
 Anodized color available  
 DUB bb system for 28.99mm spindle  
 Weight:86g

型號 MODEL NO.	零件料號 Item No.	材質 Material
PT-6623PS	R407	SUJ2
PT-6623PSCB	R407A	Ceramic



NO.	零件名稱 ITEM NAME	零件料號 ITEM NO.	材質 MATERIAL	數量 QTY
1	鋁墊圈 (ø35xø29.1x4.5) / SPACER	B650	AL6061	1PCS
2	鋁墊圈 (ø35xø29.1x2) / SPACER	B653	AL6061	1PCS
*3	鋁墊圈 (ø35xø29.1x1.0) / SPACER	B650-010	AL6061	1PCS
4	29 尼龍襯套 / BUSHING	B661	Nylon	2PCS
5	軸承 (ø39x6.5) / BEARING	-	-	2PCS
6	6623PS 鋁碗 / CUP	B278	AL6061	2PCS
7	44 鋁墊圈 / SPACER	B613	AL6061	1PCS
*8	6638 中管 / SHELL	B584	AL6061	1PCS
8.1	O 型圈 / O-RING	A297	Rubber	2PCS
	附 BB 說明書	B-42W	-	1PCS



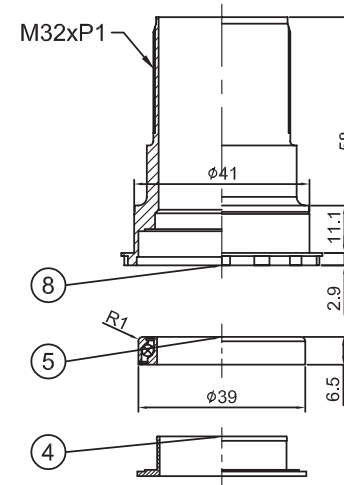
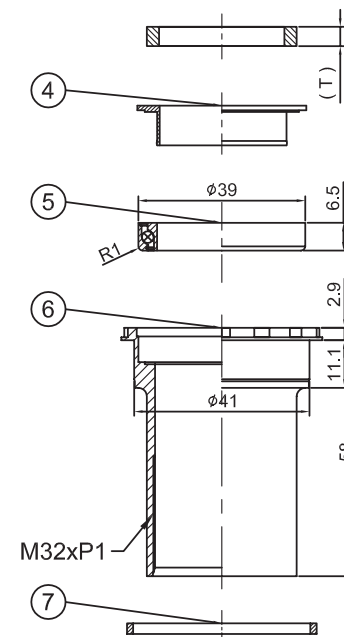
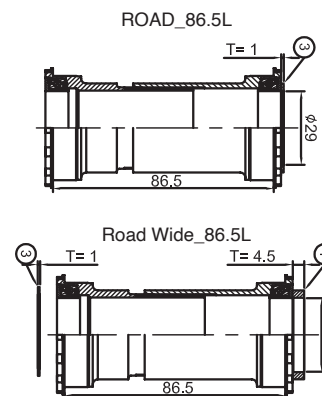
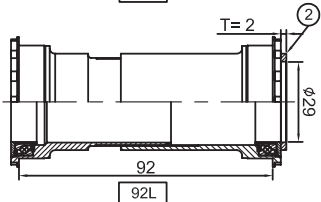
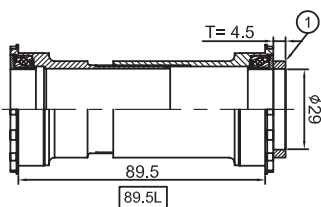
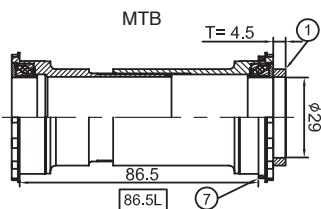
## PT-6623PST

For SRAM DUB BB86/BB92  
 PF BB86/BB92 frame  
 Forged alloy & CNC machined cups  
 2 pcs Sealed cartridge bearings

Anodized color available  
 DUB bb system for 28.99mm spindle  
 L/R cups w/thread locking on design  
 Weight:115g

型號 MODEL NO.	零件料號 Item No.	材質 Material
PT-6623PST	R407	SUJ2
PT-6623PSTCB	R407A	Ceramic

NO.	零件名稱 ITEM NAME	零件料號 ITEM NO.	材質 MATERIAL	數量 QTY
1	鋁墊圈 (ø35xø29.1x4.5) / SPACER	B650	AL6061	1PCS
2	鋁墊圈 (ø35xø29.1x2) / SPACER	B653	AL6061	1PCS
*3	鋁墊圈 (ø35xø29.1x1.0) / SPACER	B650-010	AL6061	1PCS
4	29 尼龍襯套 / BUSHING	B661	Nylon	2PCS
5	軸承 (ø39x6.5) / BEARING	-	-	2PCS
6	6623PST 右碗 / CUP	B285R	AL6061	1PCS
7	44 鋁墊圈 / SPACER	B613	AL6061	1PCS
8	6623PST 左碗 / CUP	B285L	AL6061	1PCS
	附 BB 說明書	B-56W	-	1PCS

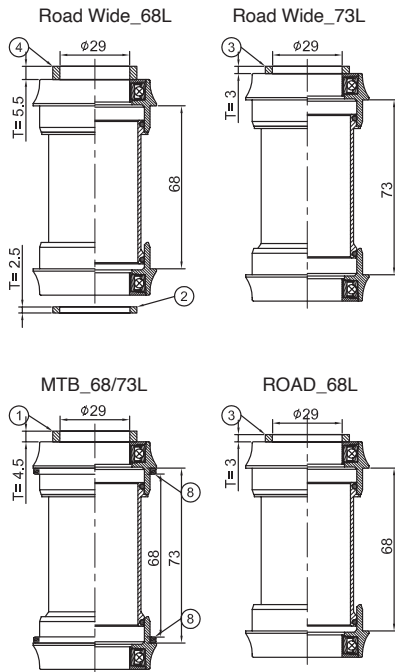




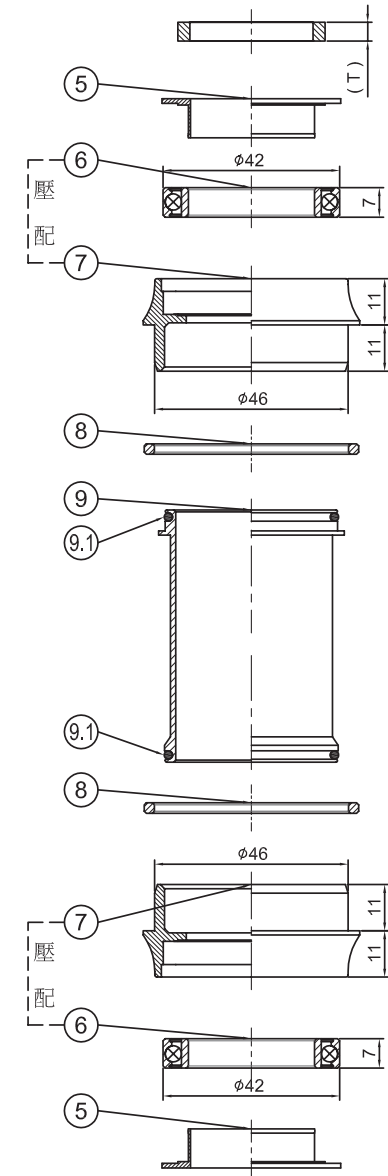
## PT-6637PS

For SRAM DUB BB/PF30  
compatible PF30 frame w68/73 ID 46mm  
Forged alloy & CNC machined cups alloy shell w/double  
o ring seal  
Anodized color available  
DUB bb system for 28.99mm spindle

型號 MODEL NO.	零件料號 Item No.	材質 Material
PT-6637PS	R433	SUJ2
PT-6637PSCB	R433A	Ceramic



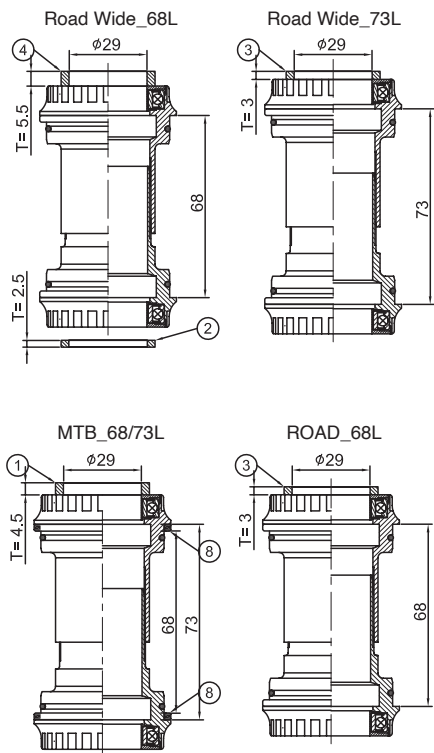
NO.	零件名稱 ITEM NAME	零件料號 ITEM NO.	材質 MATERIAL	數量 QTY
1	鋁墊圈 (φ35xφ29.1x4.5) / SPACER	B650	AL6061	1PCS
*2	鋁墊圈 (φ35xφ29.1x2.5) / SPACER	B650-025	AL6061	1PCS
*3	鋁墊圈 (φ35xφ29.1x3.0) / SPACER	B650-030	AL6061	1PCS
*4	鋁墊圈 (φ35xφ29.1x5.5) / SPACER	B650-055	AL6061	1PCS
*5	29 尼龍襯套 / BUSHING	B659	NYLON	2PCS
6	6806 培林 / BEARING	-	-	2PCS
7	6637PS 碗 / CUP	B277	AL6061	2PCS
8	鋁墊圈 (φ51xφ46.2x2.5) / SPACER	B632	AL6061	2PCS
9	6637 鋁中管 / SHELL	B579	AL6061	1PCS
9.1	O 型圈 / O-RING	A284	Rubber	2PCS
	附 BB 說明書	B-40W	-	1PCS





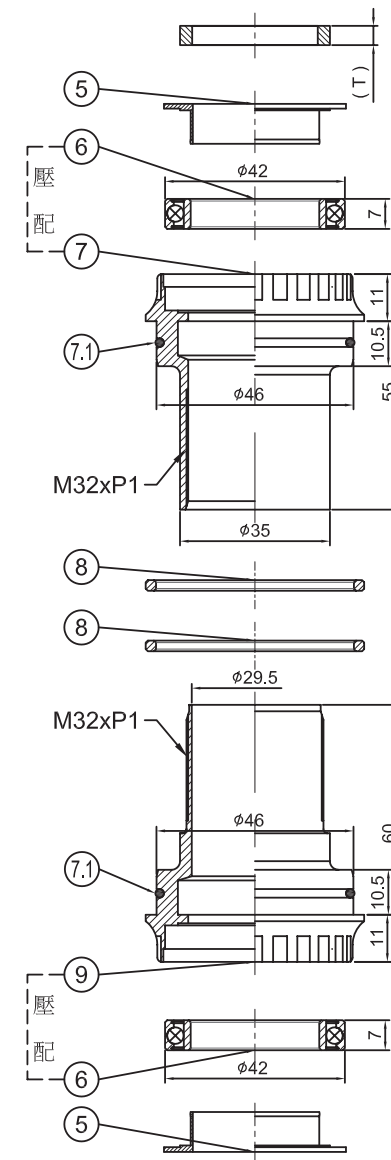
## PT-6637PST

For SRAM DUB BB/PF30 compatible PF30 frame 68/73 ID 46mm  
 Forged alloy & CNC machined cups alloy shell w/double o ring seal  
 Anodized color available  
 DUB bb system for 28.99mm spindle  
 L/R cups w/threaded locking on design  
 Weight:155g



型號 MODEL NO.	零件料號 Item No.	材質 Material
PT-6637PST	R433	SUJ2
PT-6637PSTCB	R433A	Ceramic

NO.	零件名稱 ITEM NAME	零件料號 ITEM NO.	材質 MATERIAL	數量 QTY
1	鋁墊圈 (ø35xø29.1x4.5) / SPACER	B650	AL6061	1PCS
*2	鋁墊圈 (ø35xø29.1x2.5) / SPACER	B650-025	AL6061	1PCS
*3	鋁墊圈 (ø35xø29.1x3.0) / SPACER	B650-030	AL6061	1PCS
*4	鋁墊圈 (ø35xø29.1x5.5) / SPACER	B650-055	AL6061	1PCS
*5	29 尼龍襯套 / BUSHING	B659	NYLON	2PCS
6	6806 培林 / BEARING	-	-	2PCS
*7	6637PST 右碗 / CUP	B284R	AL6061	1PCS
7.1	O 型圈 / O-RING	A284	Rubber	2PCS
8	鋁墊圈 (ø51xø46.2x2.5) / SPACER	B632	AL6061	2PCS
*9	6637PST 左碗 / CUP	B284L	AL6061	1PCS
	附 BB 說明書	B-55W	-	1PCS



DUB BB SYSTEM FOR 29 SPINDEL

# BOTTOM BRACKETS

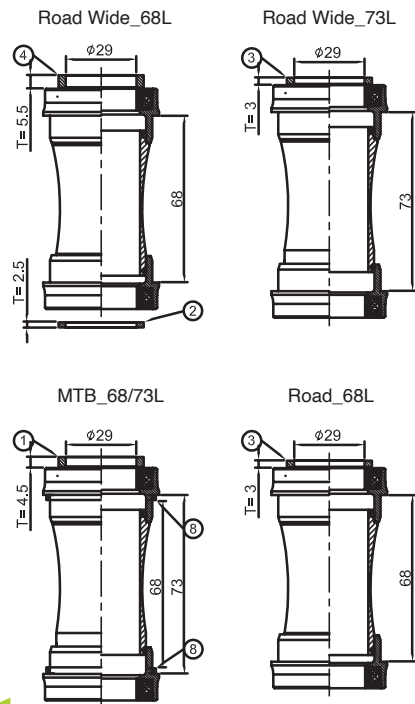
YANTEC INDUSTRIES INC.

DUB BB SYSTEM FOR 29 SPINDEL



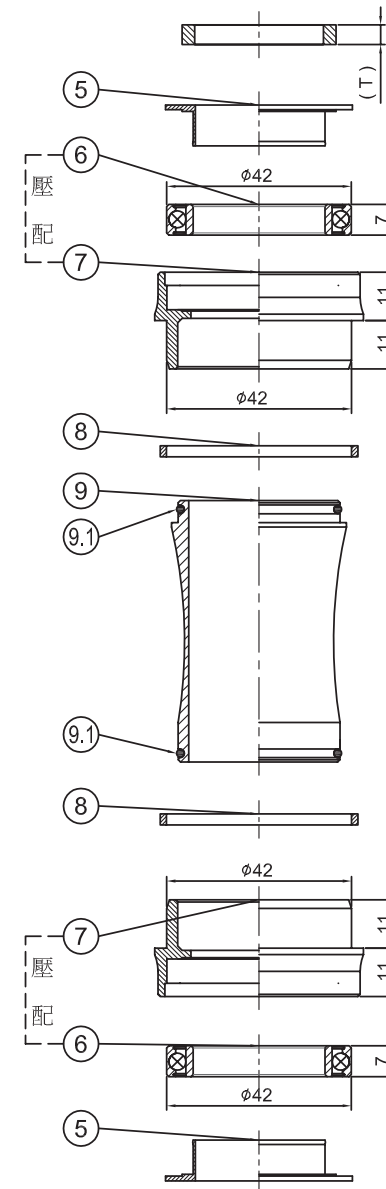
## PT-6632PS

For SRAM DUB BB/BB30  
compatible BB 30 frame 68/73 ID 42mm  
Forged alloy & CNC machined cups alloy shell  
w/double o-ring seal  
Anodized color available  
DUB bb system for 28.99mm spindle



型號 MODEL NO.	零件料號 Item No.	材質 Material
PT-6632PS	R433	SUJ2
PT-6632PSCB	R433A	Ceramic

NO.	零件名稱 ITEM NAME	零件料號 ITEM NO.	材質 MATERIAL	數量 QTY
1	鋁墊圈 (φ35xφ29.1x4.5) / SPACER	B650	AL6061	1PCS
*2	鋁墊圈 (φ35xφ29.1x2.5) / SPACER	B650-025	AL6061	1PCS
*3	鋁墊圈 (φ35xφ29.1x3.0) / SPACER	B650-030	AL6061	1PCS
*4	鋁墊圈 (φ35xφ29.1x5.5) / SPACER	B650-055	AL6061	1PCS
5	29 尼龍襯套 / BUSHING	B659	Nylon	2PCS
6	6806 培林 / BEARING	-	-	2PCS
*7	6632PS 碗 / CUP	B276	AL6061	2PCS
8	42 鋁墊圈 / SPACER	B611	AL6061	2PCS
9	EX-5 中管 / SHELL	B572	AL6061	1PCS
9.1	O 型圈 / O-RING	A255	Rubber	2PCS
	附 BB 說明書	B-40W	-	1PCS

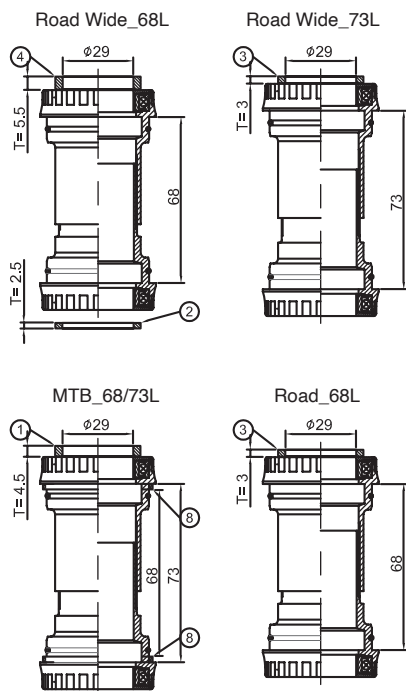




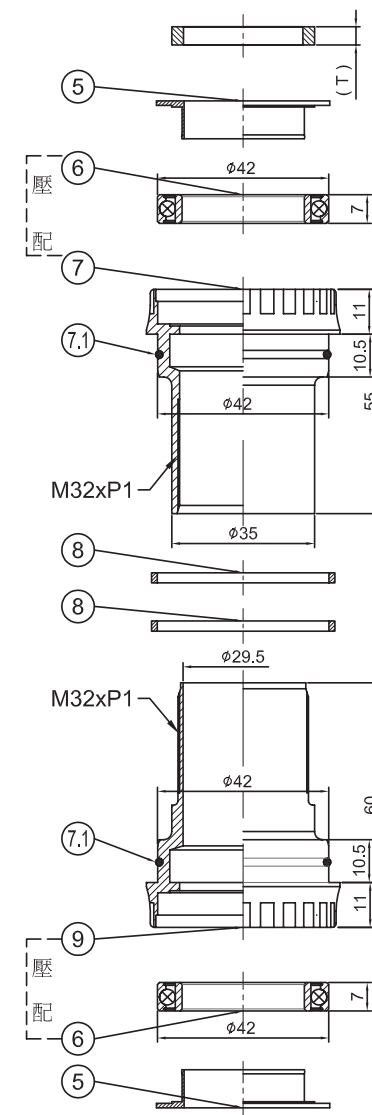
## PT-6632PST

For SRAM DUB BB/BB30  
 compatible BB 30 frame 68/73 ID 42mm  
 Forged alloy & CNC machined cups alloy shell  
 w/double o-ring seal  
 weight:134g  
 Anodized color available  
 DUB bb system for 28.99mm spindle

型號 MODEL NO.	零件料號 Item No.	材質 Material
PT-6632PST	R433	SUJ2
PT-6632PSTCB	R433A	Ceramic



NO.	零件名稱 ITEM NAME	零件料號 ITEM NO.	材質 MATERIAL	數量 QTY
1	鋁墊圈 (ø35xø29.1x4.5) / SPACER	B650	AL6061	1PCS
*2	鋁墊圈 (ø35xø29.1x2.5) / SPACER	B650-025	AL6061	1PCS
*3	鋁墊圈 (ø35xø29.1x3.0) / SPACER	B650-030	AL6061	1PCS
*4	鋁墊圈 (ø35xø29.1x5.5) / SPACER	B650-055	AL6061	1PCS
*5	29 尼龍襯套 / BUSHING	B659	Nylon	2PCS
6	6806 培林 / BEARING	-	-	2PCS
*7	6632PST 右碗 / CUP	B283R	AL6061	1PCS
7.1	O 型圈 / O-RING	A255	Rubber	2PCS
8	42 鋁墊圈 / SPACER	B611	AL6061	2PCS
*9	6632PST 左碗 / CUP	B283L	AL6061	1PCS
	附 BB 說明書	B-55W	-	1PCS



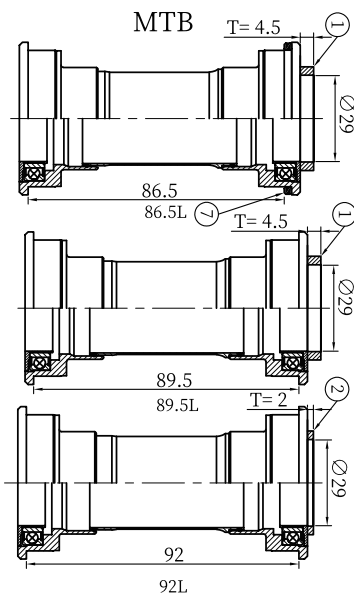
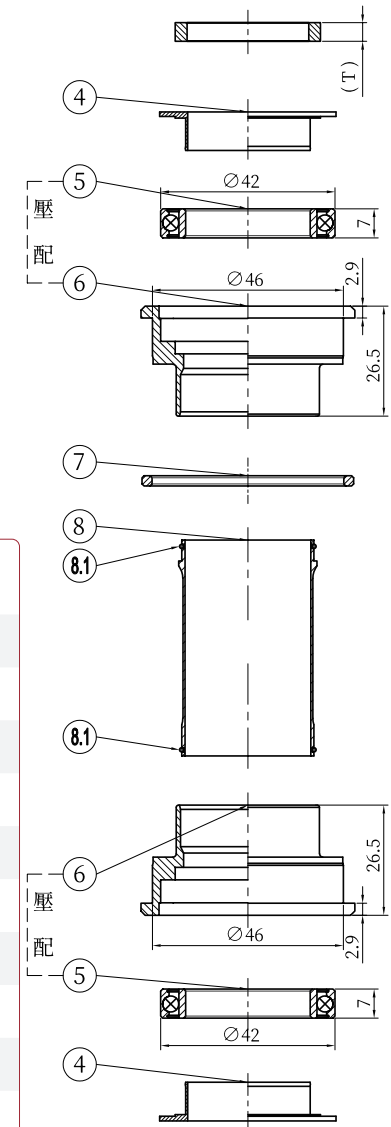
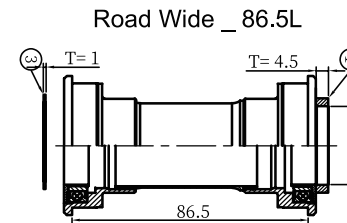
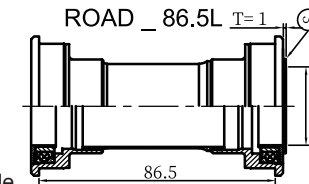


## PT-6635U

For SRAM DUB BB386  
 PF BB386 frame  
 Forged alloy & CNC machined cups  
 Alloy shell w/double o ring seals

2 pcs Sealed cartridge bearings  
 Anodized color available  
 DUB bb system for 28.99mm spindle

型號 MODEL NO.	零件料號 Item No.	材質 Material
PT-6635U	R433	SUJ2
PT-6635UCB	R433A	Ceramic



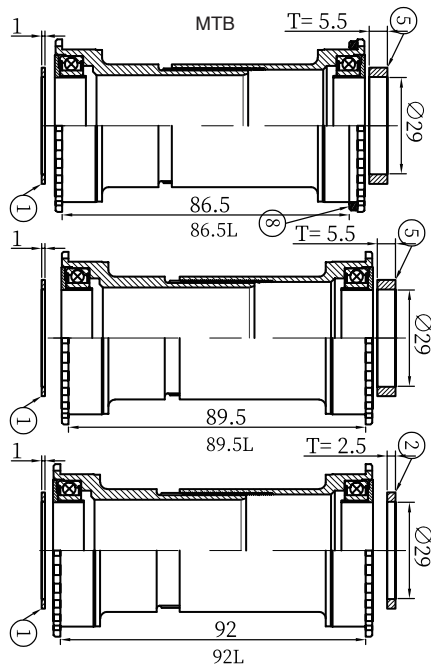
NO.	零件名稱 ITEM NAME	零件料號 ITEM NO.	材質 MATERIAL	數量 QTY
1	鋁墊圈 (ø35xø29.1x4.5) / SPACER	B650	AL6061	1PCS
2	鋁墊圈 (ø35xø29.1x2) / SPACER	B653	AL6061	1PCS
*3	鋁墊圈 (ø35xø29.1x1.0) / SPACER	B650-010	AL6061	1PCS
4	29 尼龍襯套 / BUSHING	B659	Nylon	2PCS
5	6806 培林 / BEARING	-	-	2PCS
6	6635U 鋁碗 / CUP	B290	AL6061	2PCS
7	鋁墊圈 (ø51xø46.2x2.5) / SPACER	B632	AL6061	1PCS
*8	6638 中管 / SHELL	B584	AL6061	1PCS
8.1	O 型圈 / O-RING	A297	Rubber	2PCS
	附 BB 說明書	B-42W	-	1PCS



## PT-6635UT

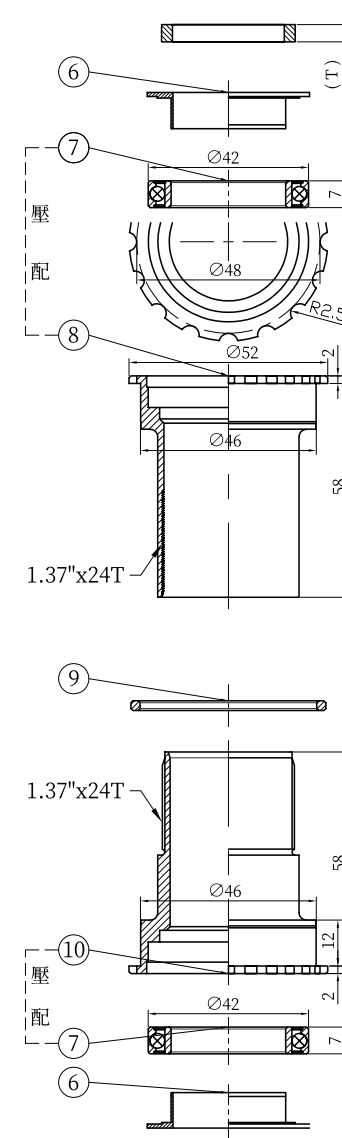
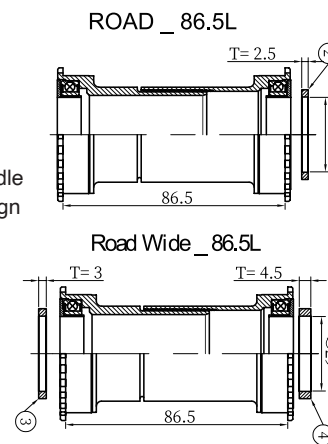
For SRAM DUB BB386  
 PF BB386 frame  
 Forged alloy & CNC machined cups  
 2 pcs Sealed cartridge bearings

Anodized color available  
 DUB bb system for 28.99mm spindle  
 L/R cups w/thread locking on design



型號 MODEL NO.	零件料號 Item No.	材質 Material
PT-6635UT	R433	SUJ2
PT-6635UTCB	R433A	Ceramic

NO.	零件名稱 ITEM NAME	零件料號 ITEM NO.	材質 MATERIAL	數量 QTY
1	鋁墊圈 (ø35xø29.1x1.0) / SPACER	B650-010	AL6061	1PCS
2	鋁墊圈 (ø35xø29.1x2.5) / SPACER	B650-025	AL6061	1PCS
3	鋁墊圈 (ø35xø29.1x3.0) / SPACER	B650-030	AL6061	1PCS
4	鋁墊圈 (ø35xø29.1x4.5) / SPACER	B650	AL6061	1PCS
5	鋁墊圈 (ø35xø29.1x5.5) / SPACER	B650-055	AL6061	1PCS
6	29 尼龍襯套 / BUSHING	B659	Nylon	2PCS
7	6806 培林 / BEARING	-	-	2PCS
8	6623UT 右碗 / CUP	B290UT-R	AL6061	1PCS
9	鋁墊圈 (ø51xø46.2x2.5) / SPACER	B632	AL6061	1PCS
10	6623UT 左碗 / CUP	B290UT-L	AL6061	1PCS
	附 BB 說明書	B-66W	-	1PCS

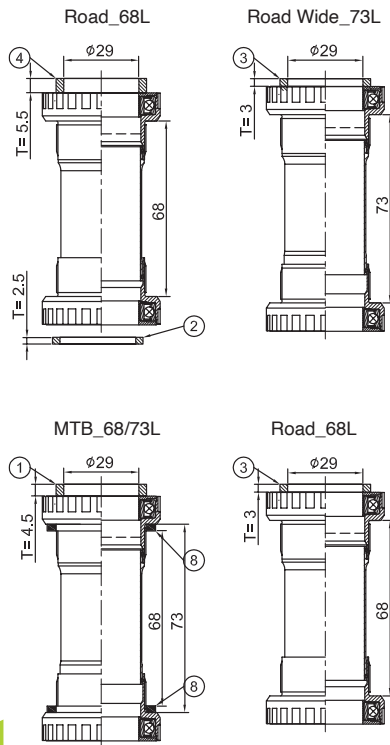




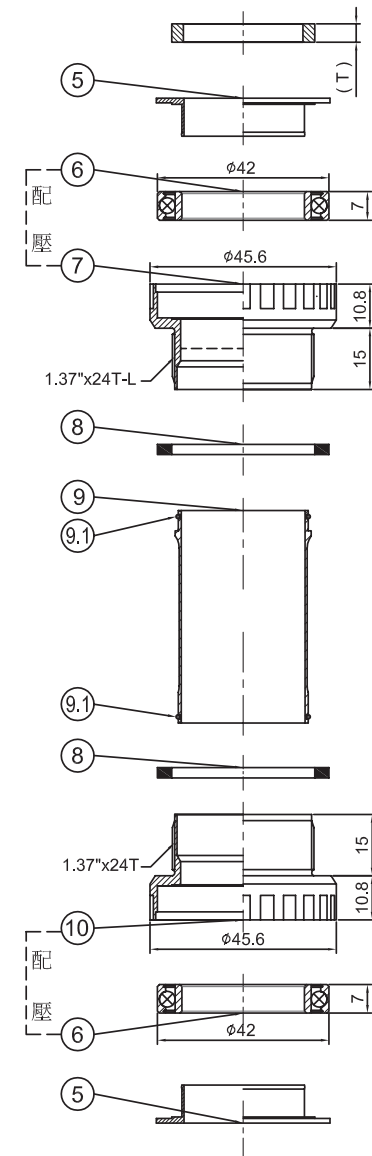
## PT-6638PS

For SRAM DUB BB BSA compatible BSA 1.37" x 24T frame  
 Forged alloy & CNC machined cups alloy shell w/double o ring seal  
 Double sealed cartridge bearings  
 Anodized color available  
 DUB bb system for 28.99mm spindle  
 Weight:107g

型號 MODEL NO.	零件料號 Item No.	材質 Material
PT-6638PS	R433	SUJ2
PT-6638PSCB	R433A	Ceramic



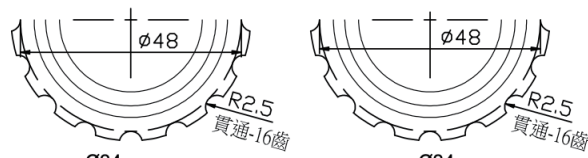
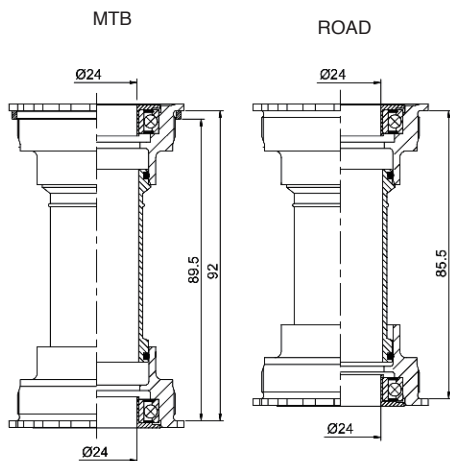
NO.	零件名稱 ITEM NAME	零件料號 ITEM NO.	材質 MATERIAL	數量 QTY
1	鋁墊圈 (ø35xø29.1x4.5) / SPACER	B650	AL6061	1PCS
*2	鋁墊圈 (ø35xø29.1x2.5) / SPACER	B650-025	AL6061	1PCS
*3	鋁墊圈 (ø35xø29.1x3.0) / SPACER	B650-030	AL6061	1PCS
*4	鋁墊圈 (ø35xø29.1x5.5) / SPACER	B650-055	AL6061	1PCS
5	29 尼龍襯套 / BUSHING	B659	NYLON	2PCS
6	6806 培林 / BEARING	-	-	2PCS
7	6638PS 反牙碗 / CUP	B274	AL6061	1PCS
8	鋁墊圈 / SPACER	B608	AL6061	2PCS
9	6638 中管 / SHELL	B584	AL6061	1PCS
9.1	O 型圈 / O-RING	A297	Rubber	2PCS
10	6638PS 正牙碗 / CUP	B275	AL6061	1PCS
	附 BB 說明書	B-37W	-	1PCS





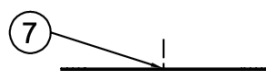
## PT-6639FT

Internal Cable Routing System  
 T47 threaded BB for SHIMANO Ø24 spindle  
 M47 x P1.0 x BB  
 Double Sealed cartridge bearings  
 BB shell w86/89.5/92mm, small OD more space for cable routing

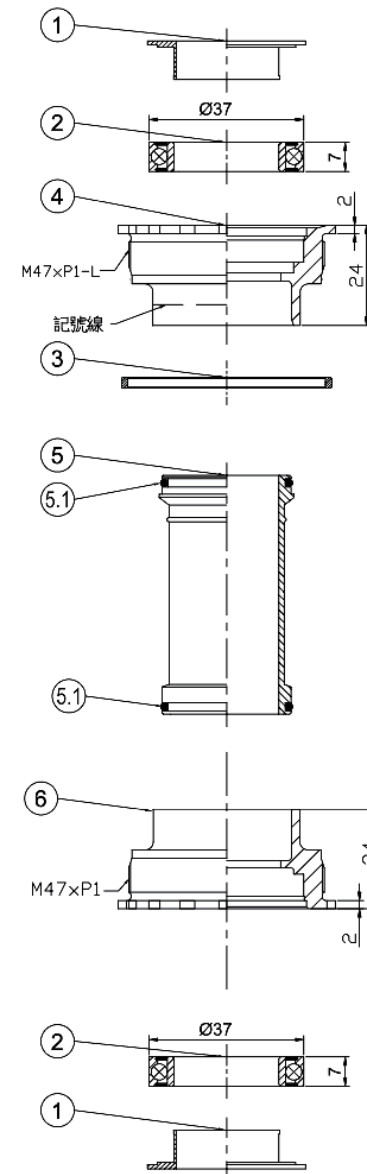


型號 MODEL NO.	零件料號 Item No.	材質 MATERIAL
PT-6639FT	R414	SUJ2
PT-6639FTCB	R414B	Ceramic

NO.	零件名稱 ITEM NAME	零件料號 ITEM NO.	材質 MATERIAL	數量 QTY
1	防水圈 / SEAL	A266	Nylon	2PCS
2	6805 培林 / BEARING	-	-	2PCS
3	鋁墊圈 (ø50.3xø47.3x2.5) / SPACER	B660	AL6061	1PCS
4	6639FT 反牙碗 / CUP	B296	AL6061	1PCS
5	中管 / SHELL	B567-2	黑 PC	1PCS
5.1	O 型圈 / O-RING	A269	Rubber	2PCS
6	6639FT 正牙碗 / CUP	B297	AL6061	1PCS
7	華司 (Ø32* Ø24.5* 0.25) / WASHER	H2404	SUS430	3PCS
	附 BB 說明書	B-75	-	1PCS



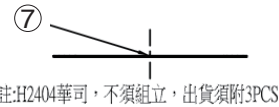
註:H2404華司, 不須組立, 出貨須附3PCS



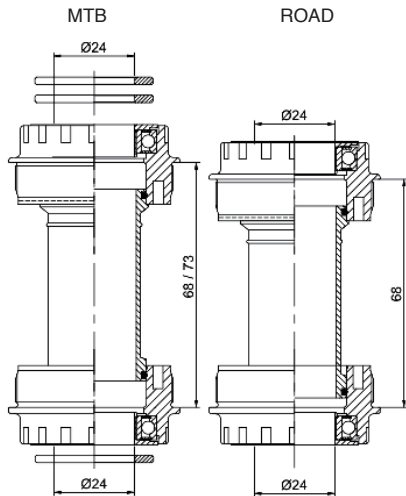


## PT-6641T

Internal Cable Routing System  
 T47 threaded BB for SHIMANO Ø24 spindle  
 M47 x P1.0 x BB  
 Double Sealed cartridge bearings  
 BB shell w68/73mm, small OD more space for cable routing

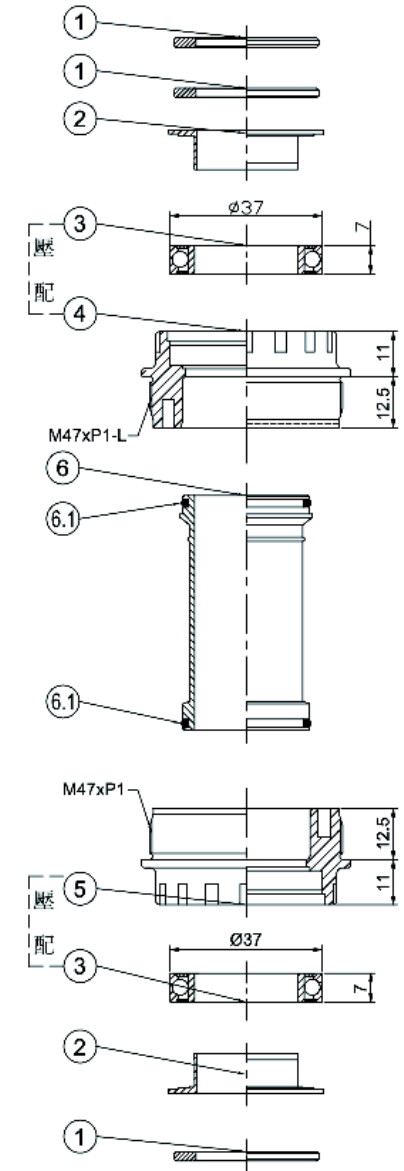


註:H2404華司·不須組立,出貨須附3PCS



型號 MODEL NO.	零件料號 Item No.	材質 MATERIAL
PT-6641T	R414	SUJ2
PT-6641CB	R414A	Ceramic

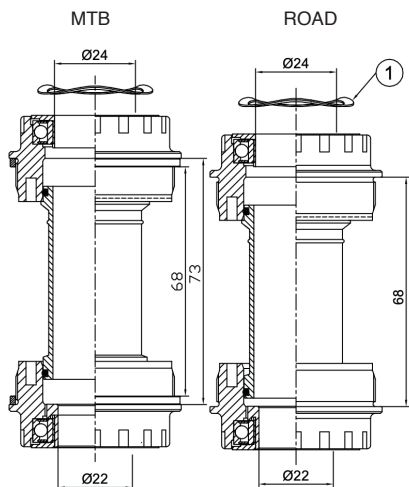
NO.	零件名稱 ITEM NAME	零件料號 ITEM NO.	材質 MATERIAL	數量 QTY
1	鋁墊圈 (ø35xø24x2.3) / SPACER	B620	AL6061	3PCS
2	防水圈 / SEAL	A266	Nylon	2PCS
3	培林 / BEARING	-	-	2PCS
4	6641T 反牙碗 / CUP	B294	AL6061	1PCS
5	6641T 正牙碗 / CUP	B2952	AL6061	1PCS
6	中管 / SHELL	B567-2	黑 PC	1PCS
6.1	O 型圈 / O-RING	A269	Rubber	2PCS
7	出貨必須附件 ※ 華司 / (ø32x24.5x2.5)	H2404	SUS430	3PCS
	附 BB 說明書	B-79	-	1PCS





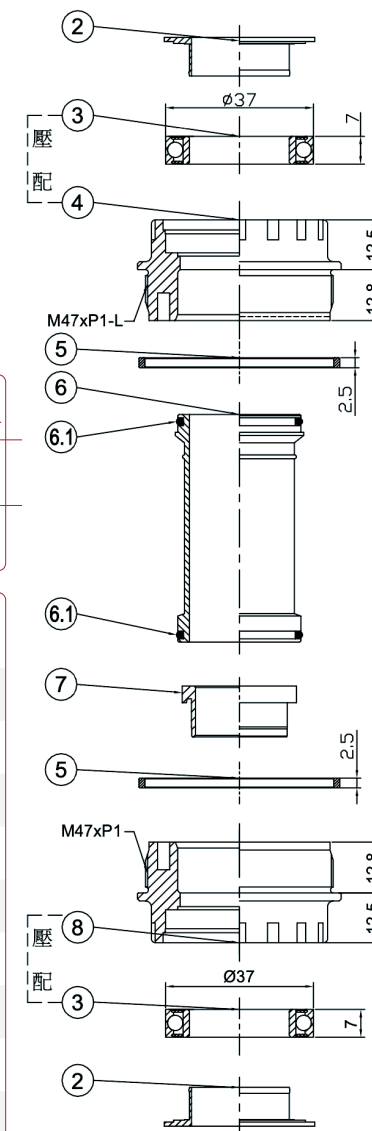
## PT-6641TM

Internal Cable Routing System  
 T47 threaded BB for SRAM Ø24/22 spindle  
 M47 x P1.0 x BB  
 Double Sealed cartridge bearings  
 BB shell w68/73mm, small OD more space for cable routing



型號 MODEL NO.	零件料號 Item No.	材質 MATERIAL
PT-6641TM	R414	SUJ2
PT-6641TMCB	R414A	Ceramic

NO.	零件名稱 ITEM NAME	零件料號 ITEM NO.	材質 MATERIAL	數量 QTY
1	彈簧墊圈 / SPRING WASHER	B620	AL6061	1PCS
2	防水圈 / SEAL	A266	Nylon	2PCS
3	培林 / BEARING	-	-	2PCS
4	6641T 反牙碗 / CUP	B294	AL6061	1PCS
5	鋁墊圈 (ø50.3x47.3x2.5) / SPACER	B660	AL6061	2PCS
6	中管 / SHELL	B567-2	黑 PC	1PCS
6.1	O 型圈 / O-RING	A269	Rubber	2PCS
7	6630 鋁襯套 / BUSHING	B609	AL7075	1PCS
8	6641T 正牙碗 / CUP	B318	AL6061	1PCS
	附 BB 說明書	B-90	-	1PCS

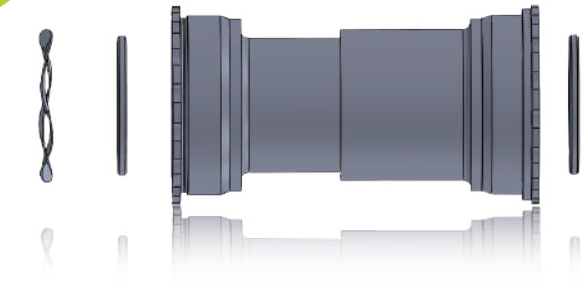


T47BB M47 x P1.0 THREADED

# BOTTOM BRACKETS

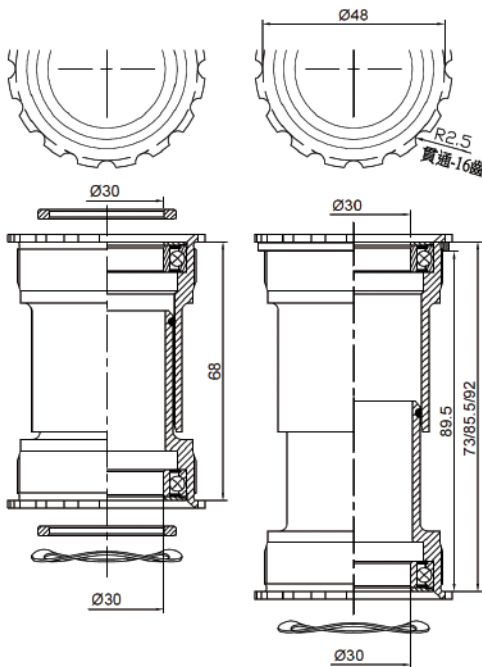
YANTEC INDUSTRIES INC.

T47BB M47 x P1.0 THREADED



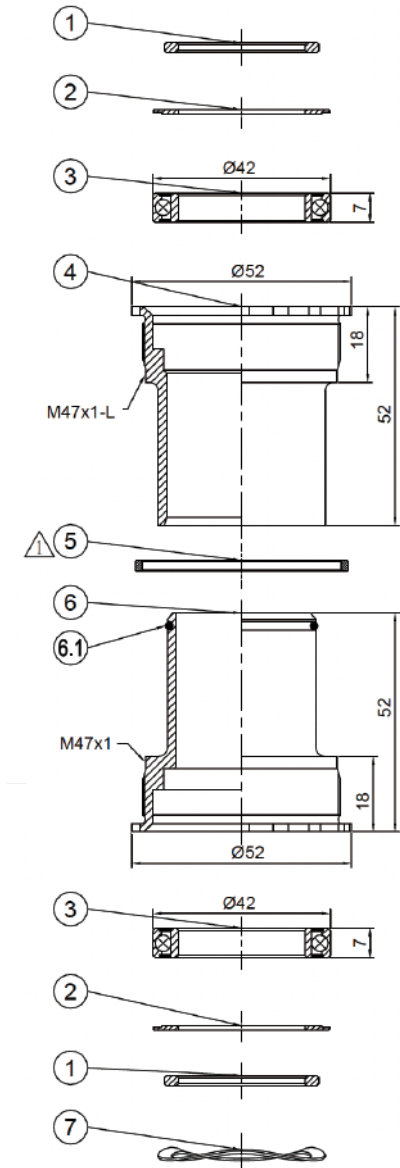
## PT-6642

T47 threaded BB for Ø30 spindle  
M47 x P1.0 x BB  
Double Sealed cartridge bearings  
BB shell w68/73/85.5/89.5/92mm



型號 MODEL NO.	零件料號 Item No.	材質 MATERIAL
PT-6642	R433	SUJ2
PT-6642CB	R433A	Ceramic

NO.	零件名稱 ITEM NAME	零件料號 ITEM NO.	材質 MATERIAL	數量 QTY
1	鋁華司 36.5x30x2.5) / WASHER	B622	AL6061	2PCS
2	鋁墊圈 (ø41.7x30.1x1.0) / SPACE	B664	AL6061	2PCS
3	6806 培林 / BEARING	-	-	2PCS
4	6642 反牙碗 / CUP	B293	AL6061	1PCS
2	鋁墊圈 (ø50.3x47.3x2.5) / SPACE	B660	AL6061	1PCS
5	6642 正牙碗 / CUP	B292	AL6061	1PCS
6.1	O 型圈 / O-RING	A255	Rubber	1PCS
6.1	彈簧墊片 / SPRING WASHER	H2211	K7	1PCS
7	出貨必須附件 ※ 白鐵墊圈 (40x30x0.5)	H2305	SUS304	3PCS
	附 BB 說明書	B-52	-	1PCS



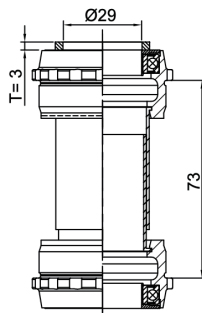
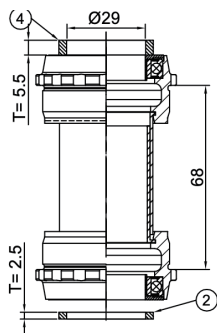


## PT-6643

T47 threaded BB for SRAM DUB Ø29 spindle  
 M47 x P1.0 x BB  
 Double Sealed cartridge bearings  
 BB shell w68/73mm

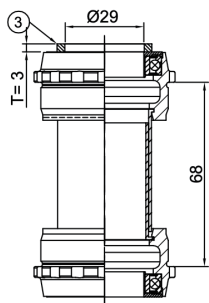
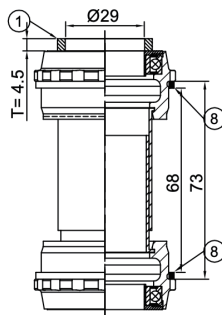
Road Wide \_68L

Road Wide \_73L



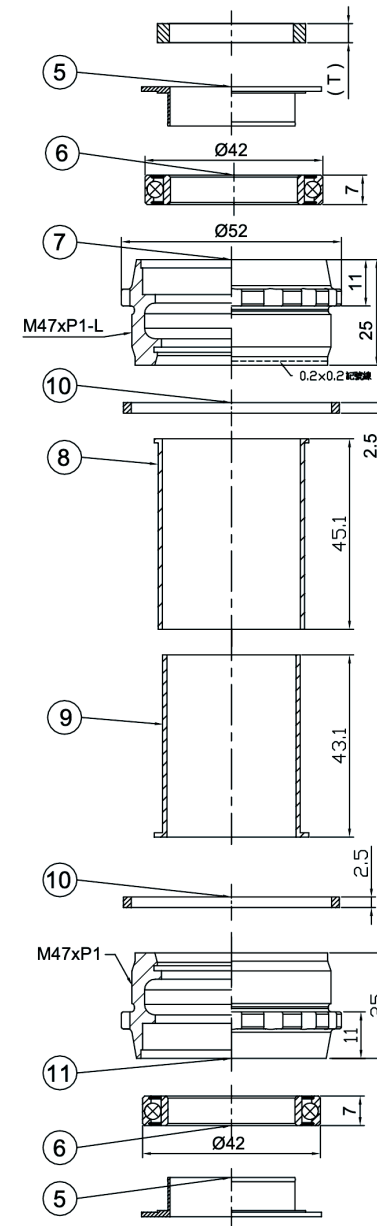
MTB\_68/73L

ROAD \_68L



型號 MODEL NO.	零件料號 Item No.	材質 MATERIAL
PT-6643	R433	SUJ2
PT-6643CB	R433A	Ceramic

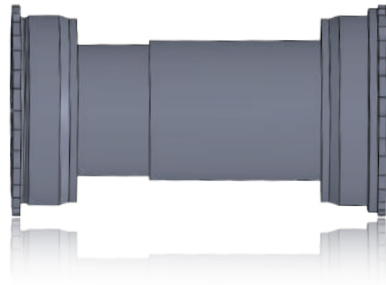
NO.	零件名稱 ITEM NAME	零件料號 ITEM NO.	材質 MATERIAL	數量 QTY
*1	鋁墊圈 (ø35xø29.1x4.5) / SPACER	B650	AL6061	1PCS
*2	鋁墊圈 (ø35xø29.1x2.5) / SPACER	B650-025	AL6061	1PCS
*3	鋁墊圈 (ø35xø29.1x3.0) / SPACER	B650-030	AL6061	1PCS
4	鋁墊圈 (ø35xø29.1x5.5) / SPACER	B650-030	AL6061	1PCS
*4	29 尼龍襯套 / BUSHING	B659	Nylon	2PCS
5	6806 培林 / BEARING	-	-	2PCS
	6643 反牙碗 / CUP	B311	AL6061	1PCS
*6	中管 -R / SHELL	B589-R	PC	1PCS
6.1	中管 -L / SHELL	B589-L	PC	1PCS
7	鋁墊圈 (ø50.3xø47.3x2.5) / SPACER	B660	AL6061	2PCS
*8	6643 正牙碗 / CUP	B312	AL6061	1PCS
	附 BB 說明書	B-81	-	1PCS



# BOTTOM BRACKETS

YANTEC INDUSTRIES INC.

T47BB M47 x P1.0 THREADED

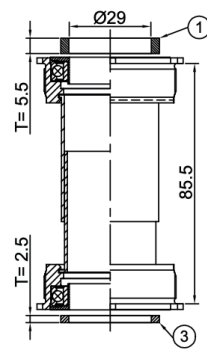
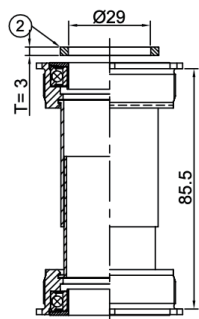


## PT-6644

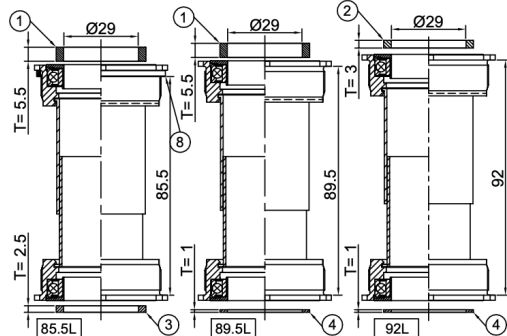
T47 threaded BB for SRAM DUB Ø29 spindle  
 M47 x P1.0 x BB  
 Double Sealed cartridge bearings  
 BB shell w85.5/89.5/92mm

Road \_85.5L

Road Wide \_85.5L

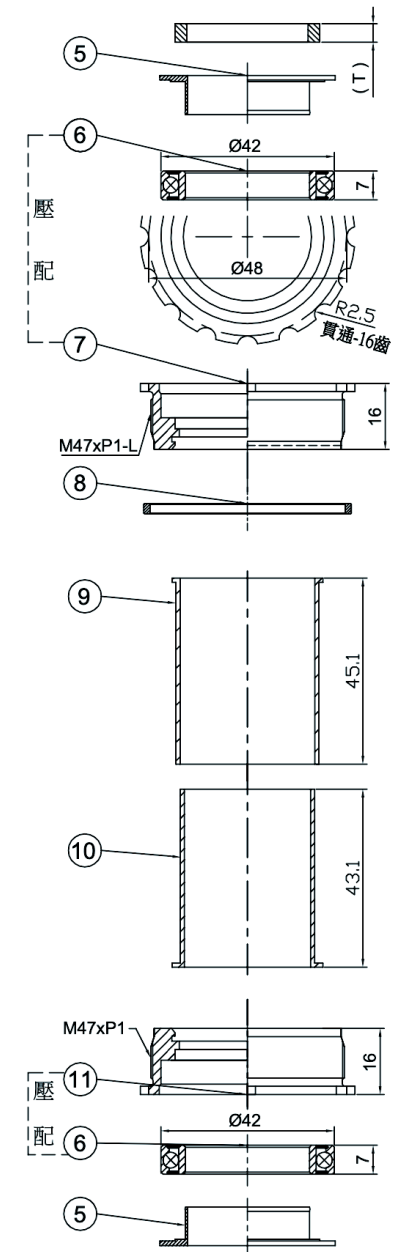


MTB



型號 MODEL NO.	零件料號 Item No.	材質 MATERIAL
PT-6644	R433	SUJ2
PT-6644CB	R433A	Ceramic

NO.	零件名稱 ITEM NAME	零件料號 ITEM NO.	材質 MATERIAL	數量 QTY
1	鋁墊圈 (ø35xø29.1x4.5) / SPACER	B650-055	AL6061	1PCS
2	鋁墊圈 (ø35xø29.1x2.5) / SPACER	B650-030	AL6061	1PCS
3	鋁墊圈 (ø35xø29.1x3.0) / SPACER	B650-025	AL6061	1PCS
4	鋁墊圈 (ø35xø29.1x5.5) / SPACER	B650-010	AL6061	1PCS
5	29 尼龍襯套 / BUSHING	B659	Nylon	2PCS
6	6806 培林 / BEARING	-	-	2PCS
7	6644 反牙碗 (M47xP1-L) / CUP	B309	AL6061	1PCS
10	鋁墊圈 (ø50.3xø47.3x2.5) / SPACER	B660	AL6061	2PCS
8	中管 -R / SHELL	B589-R	PC	1PCS
9	中管 -L / SHELL	B589-L	PC	1PCS
11	6644 正牙碗 / CUP	B310	AL6061	1PCS
	附 BB 說明書	B-81	-	1PCS



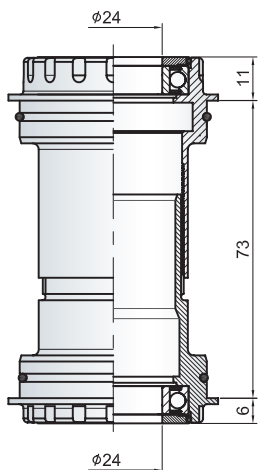


## PT-6639A FOR SHIMANO / PF30A24

PF30A BB for 24mm spindle L/R cup 46mm/shell, width 73mm

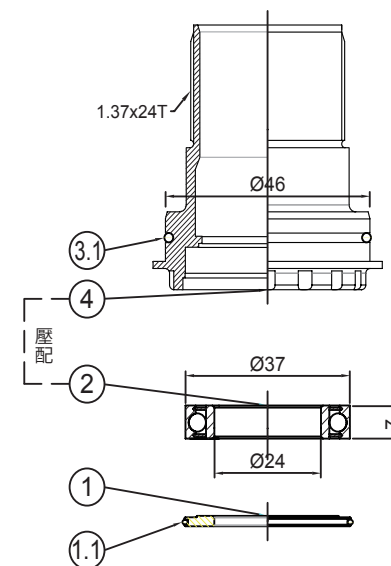
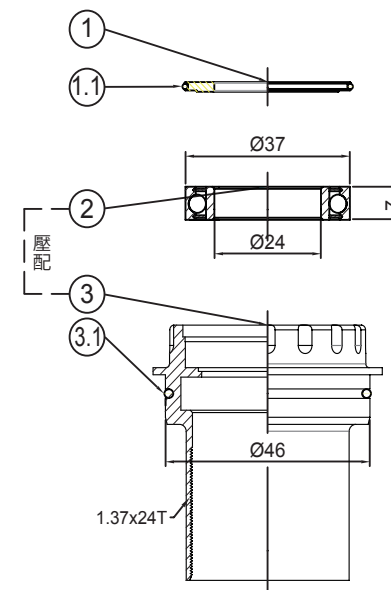
Double Sealed cartridge bearings  
Compatible with Shimano groups  
L/R cups w/thread lock on design

Weight: 149 g  
Option: 6639AM compatible with SRAM groups.



型號 MODEL NO.	零件料號 Item No.	材質 MATERIAL
PT-6639A	R451	SUJ2
PT-6639ACB	R451A	Ceramic

NO.	零件名稱 ITME NAME	零件料號 ITEM NO.	材質 MATERIAL	數量 QTY
1	鋁墊片 / SPACER	B637	AL6061	2PCS
1.1	O 型圈 / O-RING	A296	Rubber	2PCS
2	培林 / BEARING	-	-	2PCS
3	6639 右碗 / CUP	B239	AL6061	1PCS
3.1	O 型圈 / O-RING	A284	Rubber	2PCS
4	6639A 左碗 / CUP	B240-1	AL6061	1PCS
5	華司 / WASHER	H2404	SUS430	3PCS
	附 BB 說明書	B-31	-	1PCS

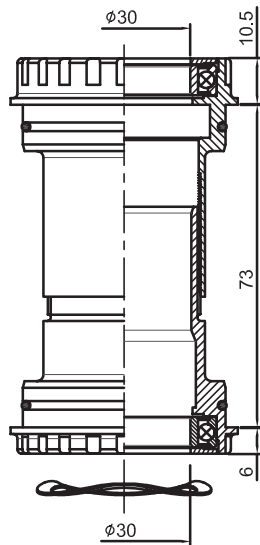


PF30A24/BB30A24/BSABB30/BB8630



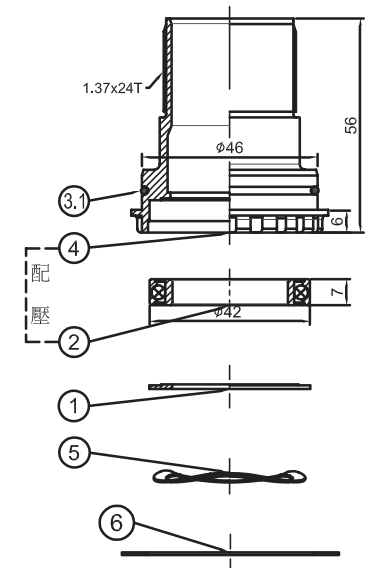
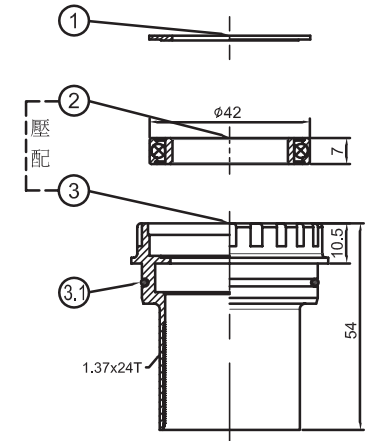
## PT-6639FB

PF30A BB for 30mm spindle L/R cup 46mm,  
shell width 73mm  
Double Sealed cartridge bearings  
L/R cups w/thread lock on design



型號 MODEL NO.	零件料號 Item No.	材質 MATERIAL
PT-6637FB	R433	SUJ2
PT-6637FBCB	R433A	Ceramic

NO.	零件名稱 ITME NAME	零件料號 ITEM NO.	材質 MATERIAL	數量 QTY
*1	鋁墊圈 (ø42.2xø30.1x1.5) / SPACER	B663	AL6061	2PCS
2	6806 培林 / BEARING	-	-	2PCS
3	6639FB 右碗 / CUP	B239-2	AL6061	1PCS
3.1	O 型圈 / O-RING	A284	Rubber	2PCS
4	6639FB 左碗 / CUP	B240-2	AL6061	1PCS
5	彈簧墊片 / SPRING WASHER	H2211	K7	1PCS
6	(出貨必須附件)※ 白鐵墊圈 (40x30x0.5) / SPACER	H2305	SUS304	2PCS

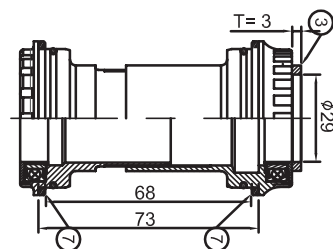


註:H2305華司，不須組立，出貨須附2PCS

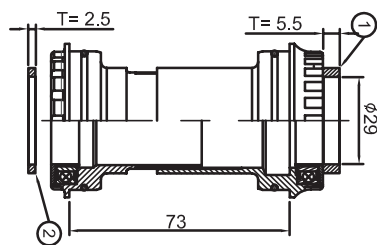


## PT-6637AD

PF30A BB for 29mm spindle L/R cup 46mm/shell, width 73mm  
 Double Sealed cartridge bearings  
 Compatible with SRAM DUB groups  
 L/R cups w/thread lock on design



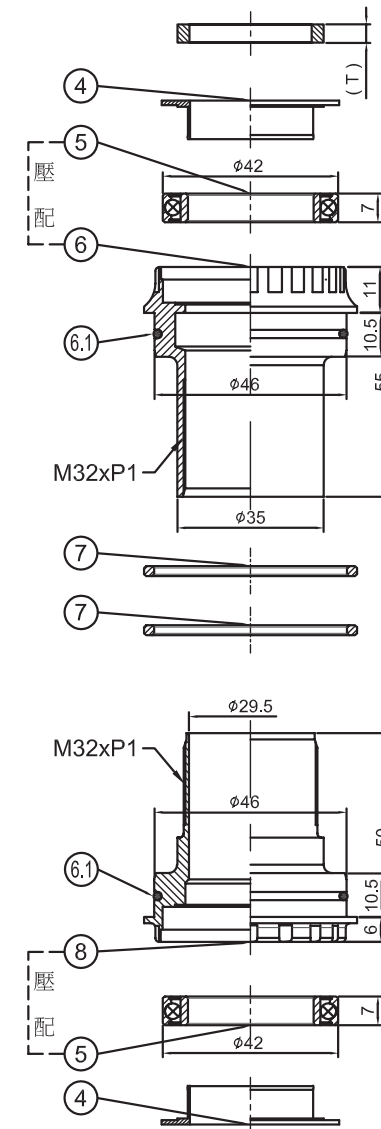
Road\_68/73L



Road Wide\_73L

	型號 MODEL NO.	零件料號 Item No.	材質 Material
⑤	PT-6637AD	R433	SUJ2
	PT-6637ADCB	R433A	Ceramic

NO.	零件名稱 ITEM NAME	零件料號 ITEM NO.	材質 MATERIAL	數量 QTY
*1	鋁墊圈 (ø35xø29.1x5.5) / SPACER	B650-055	AL6061	1PCS
*2	鋁墊圈 (ø35xø29.1x2.5) / SPACER	B650-025	AL6061	1PCS
*3	鋁墊圈 (ø35xø29.1x3.0) / SPACER	B650-030	AL6061	1PCS
*4	29 尼龍襯套 / BUSHING	B659	Nylon	2PCS
5	6806 培林 / BEARING	-	-	2PCS
*6	6637PST 右碗 / CUP	B284R	AL6061	1PCS
6.1	O 型圈 / O-RING	A284	Rubber	2PCS
7	鋁墊圈 (ø51xø46.2x2.5) / SPACER	B632	AL6061	2PCS
*8	6637AD 左碗 / CUP	B287L	AL6061	1PCS
	附 BB 說明書	B-55	-	1PCS





## PT-6632A For Shimano PT-6632AM For SRAM

BB30A BB for 24mm spindle L/R 42mm OD & shell width 73mm

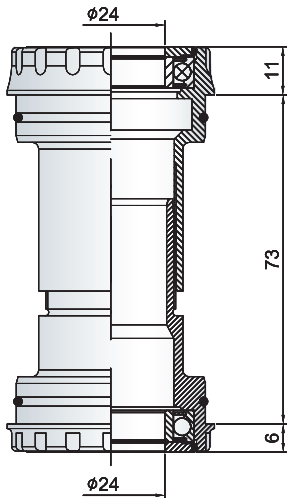
Double Sealed cartridge bearings

Compatible with shimano groups

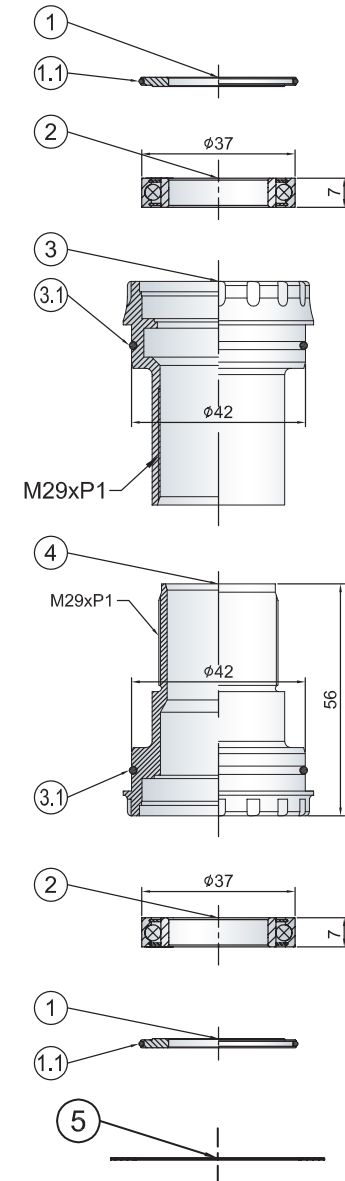
L/R cups w/threaded lock on design

Weight: 133g

Option: 6632AM compatible with SRAM groups.



NO.	零件名稱 ITEM NAME	零件料號 ITEM NO.	材質 MATERIAL	數量 QTY
1	鋁墊片 / SPACER	B637	AL6061	2PCS
1.1	O 型圈 / O-RING	A296	Rubber	2PCS
2	培林 / BEARING	-	-	2PCS
3	6632F 右碗 / CUP-R	B247	AL6061	1PCS
3.1	O 型圈 / O-RING	A255	Rubber	2PCS
4	6632A 左碗 / CUP-L	B248-1	AL6061	1PCS
5	華司 / WASHER	H2404	SUS430	3PCS
	附 BB 說明書	B-31	-	1PCS

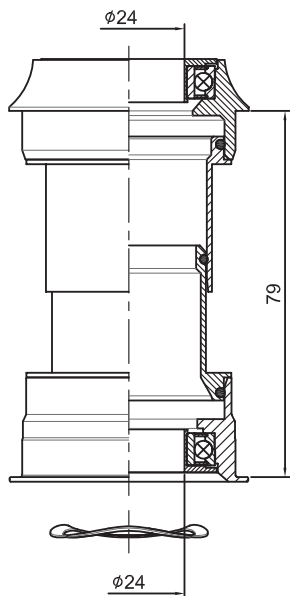


· H2404 華司，不需組立，  
出貨需附 3PCS



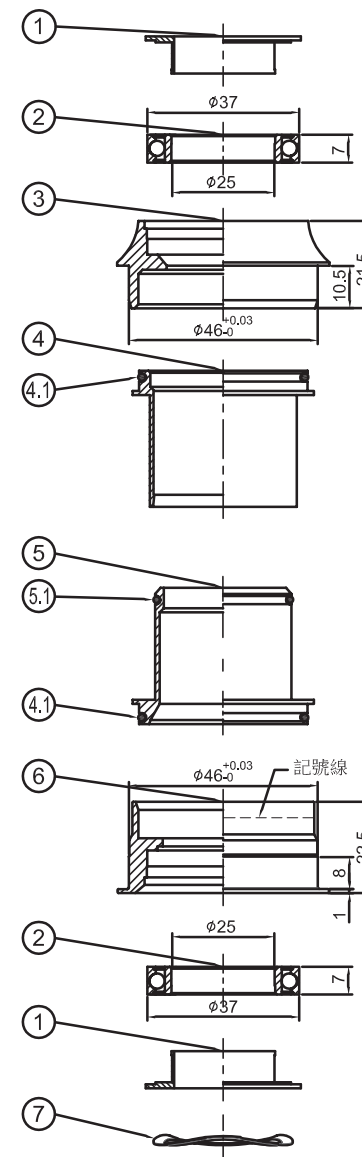
## PT-6637F

BB right for 24mm spindle  
L/R cups OD 46mm & shell width 79mm  
Double Sealed cartridge bearings  
Compatible with shimano groups



	型號 MODEL NO.	零件料號 Item No.	材質 MATERIAL
③	PT-6637F	R414	SUJ2
	PT-6637FCB	R414A	Ceramic

NO.	零件名稱 ITEM NAME	零件料號 ITEM NO.	材質 MATERIAL	數量 QTY
1	防水圈 / SEAL	A266	NYLON	2PCS
2	培林 / BEARING	-	-	2PCS
3	6637 鋁碗 / UPPER CUP	B221	AL6061	1PCS
4	6637F 中管 (R) / SHELL	B582	AL6061	1PCS
4.1	O 型圈 / O-RING	A284	Rubber	2PCS
5	6637F 中管 (L) / SHELL	B583	AL6061	1PCS
5.1	O 型圈 / O-RING	A255	Rubber	1PCS
6	6637FM 鋁碗 / LOWER CUP	B252	AL6061	1PCS
7	彈簧墊片 / SPRING WASHER	H2212	K7	1PCS
	附 BB 說明書	B-18	-	1PCS

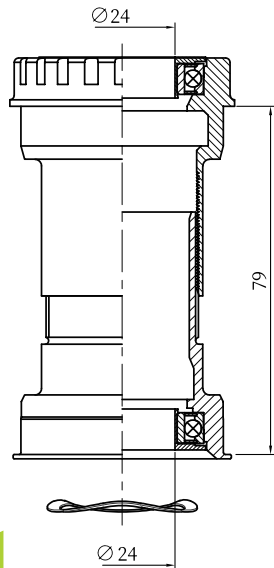
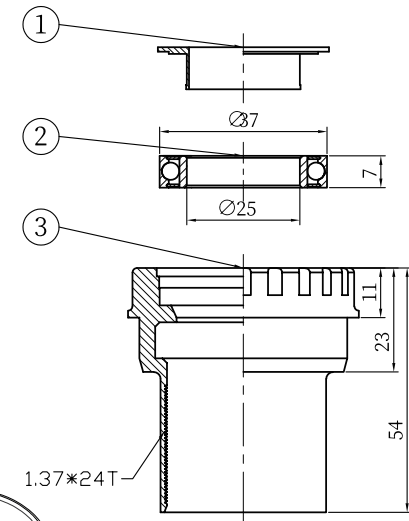




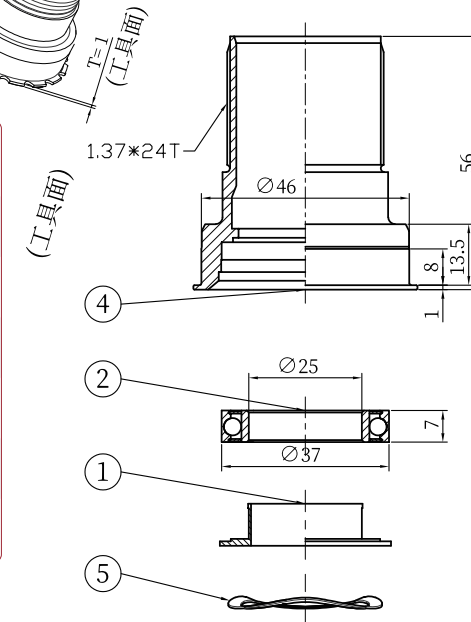
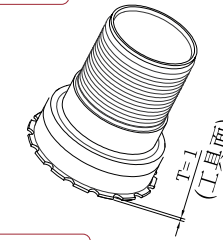
## PT-6637FT PT-6637FTCB

BB right for 24mm spindle  
L/R cups OD 46mm & shell width 79mm  
Double Sealed cartridge bearings  
Compatible with shimano groups  
6637FT L/R cups w/thread locking on design

型號 MODEL NO.	零件料號 Item No.	材質 MATERIAL
PT-6637FT	R414	SUJ2
PT-6637FTCB	R414A	Ceramic



NO.	零件名稱 ITEM NAME	零件料號 ITEM NO.	材質 MATERIAL	數量 QTY
*1	防水圈 / SEAL	A266	NYLON	2PCS
2	培林 / BEARING	-	-	2PCS
3	6637FT 右碗 / CUP	B291FT-R	AL6061	1PCS
4	6637FT 左碗 / CUP	B291FT-R	AL6061	1PCS
5	彈簧墊片 / SPRING WASHER	H2212	K7	1PCS
6	附 BB 說明書	B-63	-	1PCS

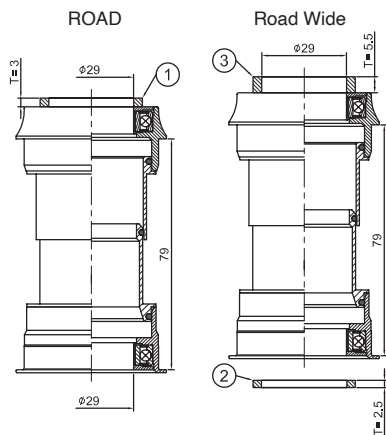




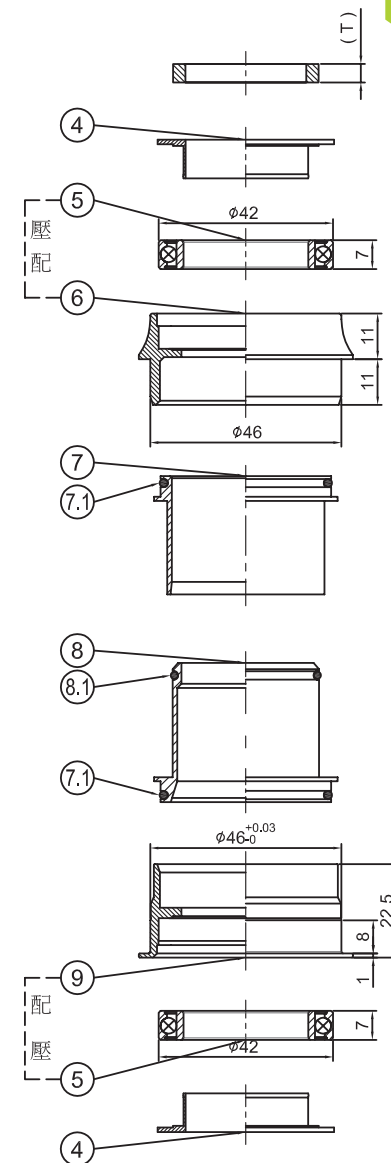
## PT-6637FD

BB right for 29mm spindle  
L/R cups OD 46mm & shell width 79mm  
Double Sealed cartridge bearings  
Compatible with SRAM DUB

型號 MODEL NO.	零件料號 Item No.	材質 Material
PT-6637FD	R433	SUJ2
PT-6637FDCB	R433A	Ceramic



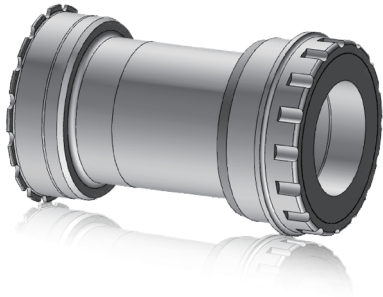
NO.	零件名稱 ITEM NAME	零件料號 ITEM NO.	材質 MATERIAL	數量 QTY
1	鋁墊圈 (ø35xø29.1x3.0) / SPACER	B650-030	AL6061	1PCS
2	鋁墊圈 (ø35xø29.1x2.5) / SPACER	B650-025	AL6061	1PCS
3	鋁墊圈 (ø35xø29.1x5.5) / SPACER	B650-055	AL6061	1PCS
4	29 尼龍襯套 / BUSHING	B659	NYLON	2PCS
5	6806 培林 / BEARING	-	-	2PCS
6	6637PS 碗 / CUP	B277	AL6061	1PCS
7	6635D 中管 (R) / SHELL	B585	AL6061	1PCS
7.1	O 型圈 / O-RING	A284	Rubber	2PCS
8	6635D 中管 (L) / SHELL	B586	AL6061	1PCS
8.1	O 型圈 / O-RING	A255	Rubber	1PCS
*9	6637FD 鋁碗 / LOWER CUP	B288	AL6061	1PCS
	附 BB 說明書	B-61	-	1PCS



# BOTTOM BRACKETS

YANTEC INDUSTRIES INC.

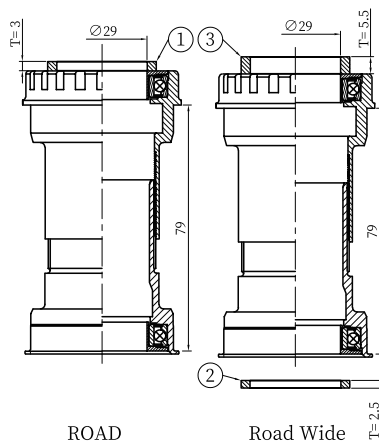
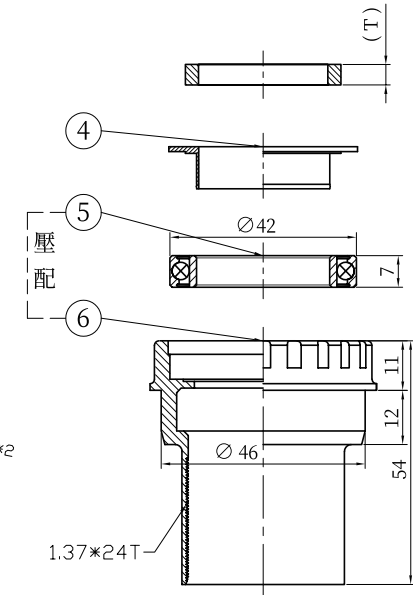
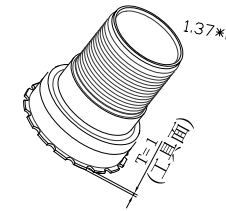
PF30A24/BB30A24/BSABB30/BB8630



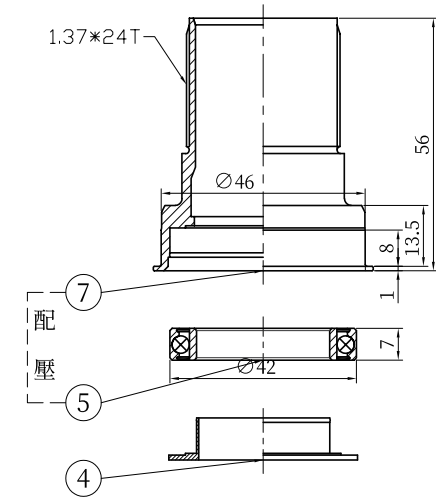
## PT-6637FDT

BB right for 29mm spindle  
L/R cups OD 46mm & shell width 79mm  
Double Sealed cartridge bearings  
Compatible with SRAM DUB  
6637FDT L/R cups w/thread locking on design

型號 MODEL NO.	零件料號 Item No.	材質 Material
PT-6637FDT	R433	SUJ2
⑤ PT-6637FDTCB	R433A	Ceramic



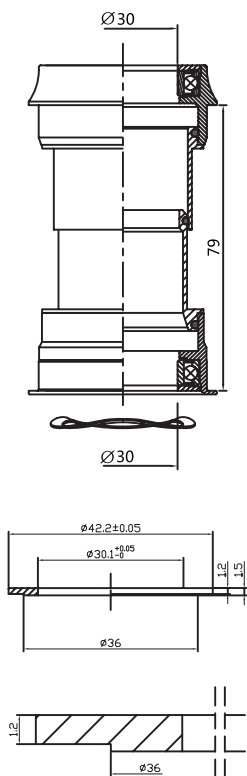
NO.	零件名稱 ITEM NAME	零件料號 ITEM NO.	材質 MATERIAL	數量 QTY
1	鋁墊圈 (ø35xø29.1x3.0) / SPACER	B650-030	AL6061	1PCS
2	鋁墊圈 (ø35xø29.1x2.5) / SPACER	B650-025	AL6061	1PCS
3	鋁墊圈 (ø35xø29.1x5.5) / SPACER	B650-055	AL6061	1PCS
4	29 尼龍襯套 / BUSHING	B659	NYLON	2PCS
5	6806 培林 / BEARING	-	-	2PCS
6	6637FDT 右碗 / CUP	B291FDT-R	AL6061	1PCS
7	6637FDT 左碗 / CUP	B291FDT-L	AL6061	1PCS
	附 BB 說明書	B-61	-	1PCS





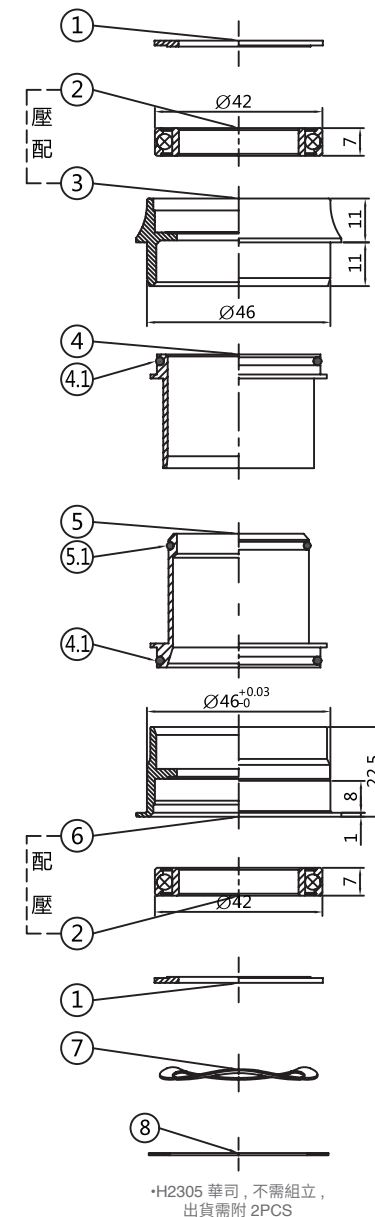
## PT-6637FB

BB right for 30mm spindle  
 L/R cups OD 46mm & shell width 79mm  
 Double Sealed cartridge bearings  
 Compatible with 30mm EVO spindle  
 6637FDT L/R cups w/thread lock on design



	型號 MODEL NO.	零件料號 Item No.	材質 MATERIAL
②	PT-6637FB	R433	SUJ2
	PT-6637FBCB	R433A	Ceramic

NO.	零件名稱 ITEM NAME	零件料號 ITEM NO.	材質 MATERIAL	數量 QTY
*1	鋁墊圈 (ø42.2xø30.1x1.5) / SPACER	B663	AL6061	2PCS
2	6806 培林 / BEARING	-	-	2PCS
3	6637PS 碗 / CUP	B277	AL6061	1PCS
4	6635D 中管 (R) / SHELL	B585	AL6061	1PCS
4.1	O 型圈 / O-RING	A284	Rubber	2PCS
5	6635D 中管 (L) / SHELL	B586	AL6061	1PCS
5.1	O 型圈 / O-RING	A255	Rubber	1PCS
6	6637FD 鋁碗 / LOWER CUP	B288	AL6061	1PCS
7	彈簧墊片 / SPRING WASHER	H2211	K7	1PCS
8	出貨必須附件 ※ 白鐵墊圈	H2305	SUS304	2PCS

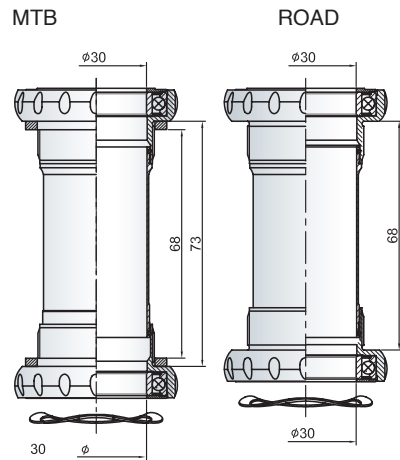




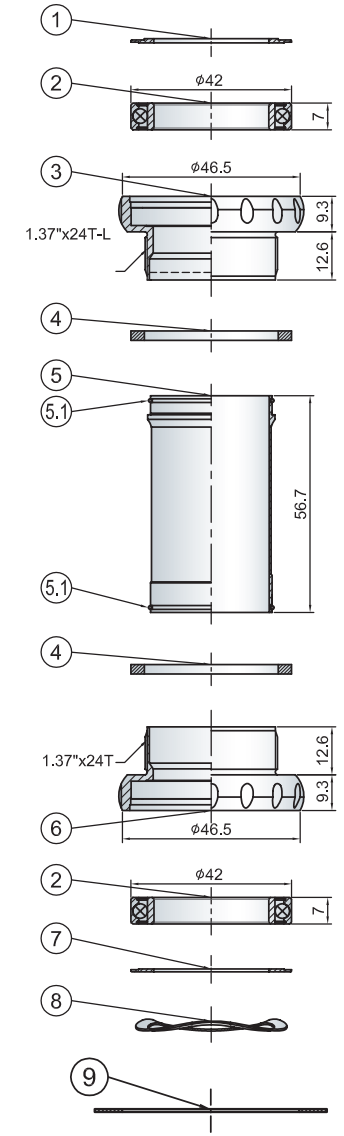
## PT-6638D

Forged alloy and CNC machined cups  
 Double sealed cartridge bearing (ø42 x 30 x 7)  
 BC 1.37" x 24T  
 Anodized  
 Compatible with B.B30 crank / BSA frames  
 Option / PT-6638CB ceramic bearings

型號 MODEL NO.	零件料號 Item No.	材質 MATERIAL
PT-6638D	R433	SUJ2
PT-6638DCB	R433A	Ceramic



NO.	零件名稱 ITEM NAME	零件料號 ITEM NO.	材質 MATERIAL	數量 QTY
1	6638 鋁墊圈 (R) /SPACER	B640	AL6061	1PCS
2	6806 培林 /BEARING	-	-	2PCS
3	6638 反牙碗 /CUP	B224-2	AL6061	1PCS
4	鋁墊圈 /SPACER	B608	AL6061	2PCS
5	6638 中管 /SHELL	B584-1	AL6061	1PCS
5.1	O 型圈 /O-RING	A297	Rubber	2PCS
6	6624C 正牙碗 / SUP	B224-1	AL6061	1PCS
7	6638 鋁墊圈 (L) /SPACER	B629	AL6061	1PCS
8	彈簧墊片 /SPRING WASHER	H2211	K7	1PCS
9	※ 白鐵墊圈 (40* 30* 0.5) (出貨必須附件) /SPACER	H2305	SUS304	2PCS
	附 BB 說明書	B-48	-	1PCS

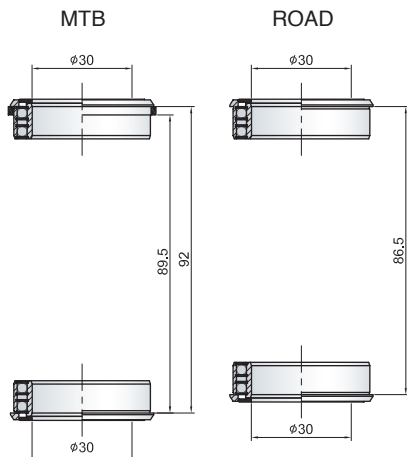
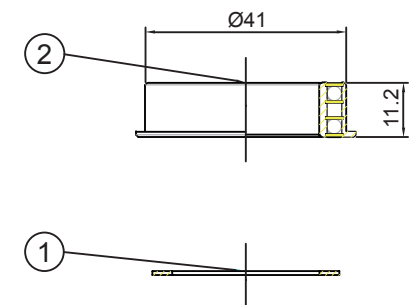
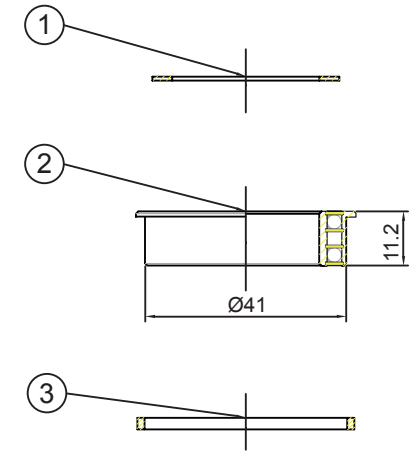


· H2305 華司, 不需組立,  
 出貨需附 2PCS



## PT-6624B

BB8630  
 BB86/BB89/BB92 Frame/BB386 Crankset  
 (Spindel OD:30mm)  
 Frame ID:41 x w86.5/89.5/92mm  
 sealed cartridge bearings/double ball orbit bearings  
 Weight:77g

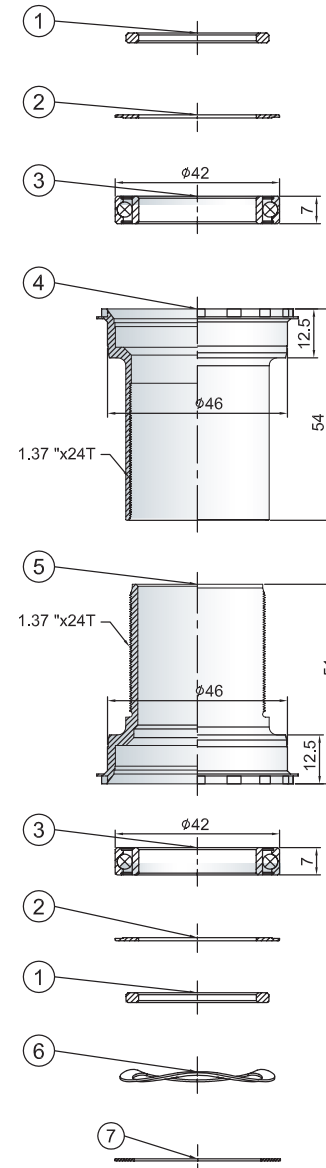


NO.	零件名稱 ITEM NAME	零件料號 ITEM NO.	材質 MATERIAL	數量 QTY
1	鋁墊片 (ø38.2* ø30.1* 0.8) / SPACER	B644	AL6061	2PCS
2	軸承 41* 30 / SEALED BEAEING	R454	SUJ2	2PCS
3	44 鋁墊圈 / SPACER	B613	AL6061	1PCS
4	(出貨必須附件) ※ 白鐵墊圈 (40* 30* 0.5) / SPACER	H2305	SUS304	2PCS
	附 BB 說明書	B-44	-	1PCS



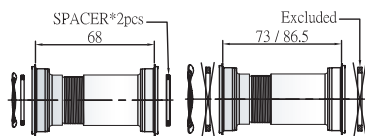
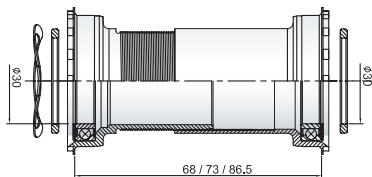
## PT-6635T

Pressfit BB 386/PF 30  
 L/R cup OD46mm  
 Double sealed cartridge bearings  
 CNC machined alloy cups  
 Anodized available  
 Weight: 115g  
 Option: 6635TCB ceramic bearings  
 BB386 frame (Ø46 x 86.5mm)  
 PF30 frame (Ø46 x 68/73mm)  
 Between L/R cups w/threaded locking on design



· H2305 華司，不需組立，出貨需附 3PCS

MTB



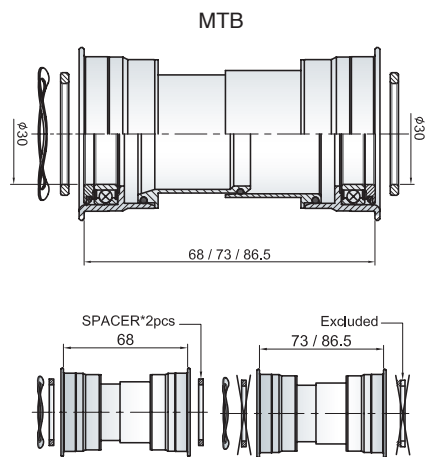
型號 MODEL NO.	零件料號 Item No.	材質 MATERIAL
PT-6635T	R433	SUJ2
PT-6635TCB	R433A	Ceramic

NO.	零件名稱 ITEM NAME	零件料號 ITEM NO.	材質 MATERIAL	數量 QTY
1	36.5* 30* 2.5 鋁華司 / SWSHER	B622	AL6061	2PCS
2	6638 鋁墊圈 / SPACER	B629	AL6061	2PCS
3	6806 培林 / BEARING	-	-	2PCS
4	6635T 右碗 / CUP	B260	AL6061	1PCS
5	6635T 左碗 / CUP	B261	AL6061	1PCS
6	彈簧墊片 / SPRING WASHER	H2211	K7	1PCS
7	白鐵墊圈 (40* 30* 0.5)( 出貨必須附件 ) / SPACER	H2305	SUS304	3PCS
	附 BB 說明書	B-20	-	1PCS



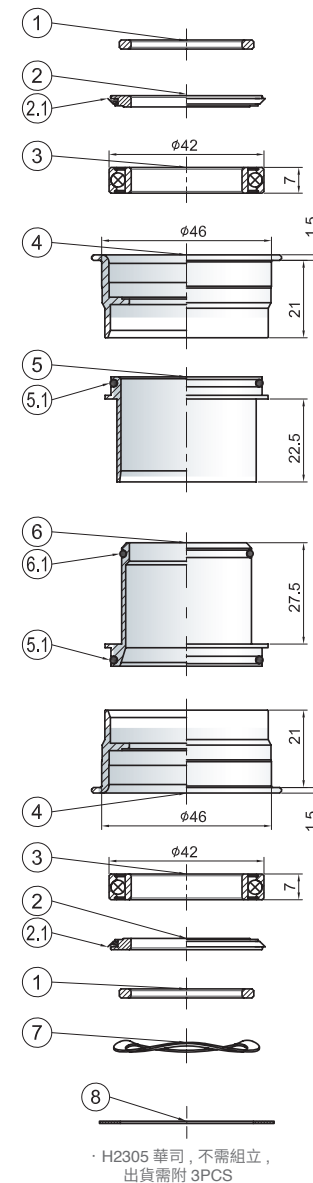
## PT-6635D

Pressfit BB386  
 L/R cup OD46mm  
 Double sealed cartridge bearings  
 BB386 frame (Ø46 x 86.5mm)  
 PF30 frame (Ø46 x 68/73mm)  
 6635DCB Ceramic Bearings



NO.	零件名稱 ITEM NAME	零件料號 ITEM NO.	材質 MATERIAL	數量 QTY
1	36.5* 30* 2.5 鋁華司 / WASHER	B622	AL6061	2PCS
2	41* 30* 3 鋁墊片 / SPACER	B619	AL6061	2PCS
2.1	防水圈 / SEAL	A257	Rubber	2PCS
3	6806 培林 / BEARING	-	-	2PCS
4	6635 鋁碗 / CUP	B216	AL6061	2PCS
5	6635D 中管 (R) / SHELL	B585	AL6061	1PCS
5.1	O 型圈 / O-RING	A284	Rubber	2PCS
6	6635D 中管 (L) / SHELL	B586	AL6061	1PCS
6.1	O 型圈 / O-RING	A255	Rubber	1PCS
7	彈簧墊片 / SPRING WASHER	H2211	K7	1PCS
8	(出貨必須附件) 白鐵墊圈 (40* 30* 0.5) / SPACER	H2305	SUS304	3PCS
	附 BB 說明書	B-20	-	1PCS
	○ H2305 華司, 不需組立, 出貨需附 3PCS			

型號 MODEL NO.	零件料號 Item No.	材質 MATERIAL
PT-6635D	R433	SUJ2
PT-6635DCB	R433A	Ceramic



· H2305 華司, 不需組立, 出貨需附 3PCS

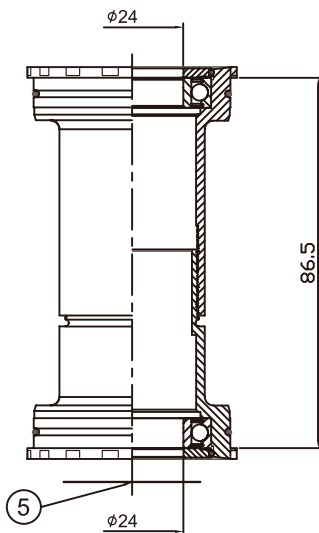


## PT-6635AT for SHIMANO

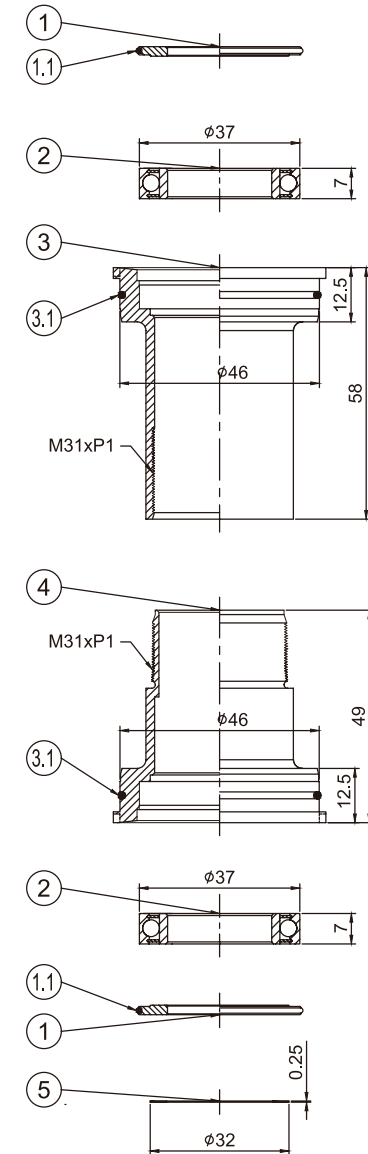
## PT-6635ATM for SRAM

### BB386 adapter for SHIMANO

CNC machined alloy cups L/R cups OD46mm  
 for BB386 frame  
 (Ø46 x 86.5mm width)  
 To fit SHIMANO cranksets  
 Weight:133g  
 Anodized available  
 \*Center shell W/Threaded  
 locking on design



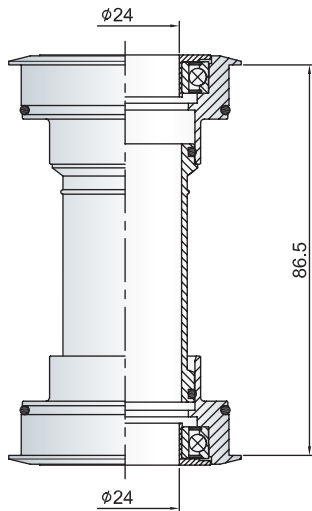
NO.	零件名稱 ITEM NAME	零件料號 ITEM NO.	材質 MATERIAL	數量 QTY
1	鋁墊片 (ø37.5xø24.05x2.2) / SPACER	B637	AL6061	2PCS
1.1	O 型圈 / O-RING	A296	Rubber	2PCS
2	培林 / BEARING	-	-	2PCS
3	6635AT 右碗 / CUP	B256	AL6061	1PCS
3.1	O 型圈 / O-RING	A294	Rubber	2PCS
4	6635AT 左碗 / CUP	B257	AL6061	1PCS
5	華司 / WASHER	H2404	SUS430	1PCS
	附 BB 說明書	B-29	-	1PCS





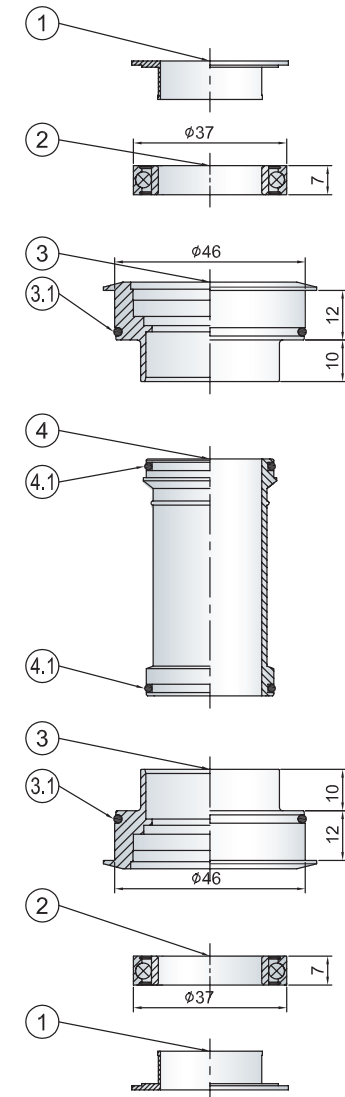
## PT-6635L BB386 adapter for SHIMANO

CNC machined alloy cups  
 L/R cup OD46mm  
 Adapts for BB386 frame (Ø46 x 86.5mm)  
 to fit SHIMANO cranksets  
 Compatible with Shimano groups  
 Anodized available



型號 MODEL NO.	零件料號 Item No.	材質 MATERIAL
PT-6635SL	R414	SUJ2
PT-6635SLCB	R414A	Ceramic

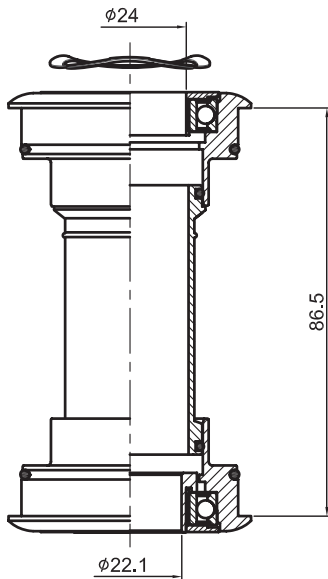
NO.	零件名稱 ITEM NAME	零件料號 ITEM NO.	材質 MATERIAL	數量 QTY
1	防水圈 / SEAL	A266	Nylon	2PCS
2	6805 培林 / BEARING	-	-	2PCS
3	6635SL 鋁碗 / CUP	B230	AL6061	2PCS
3.1	O 型圈 / O-RING	A284	Rubber	2PCS
4	中管 / SHELL	B567-2	黑 PC	1PCS
4.1	O 型圈 / O-RING	A269	Rubber	2PCS
	附 BB 說明書	B-25	-	1PCS



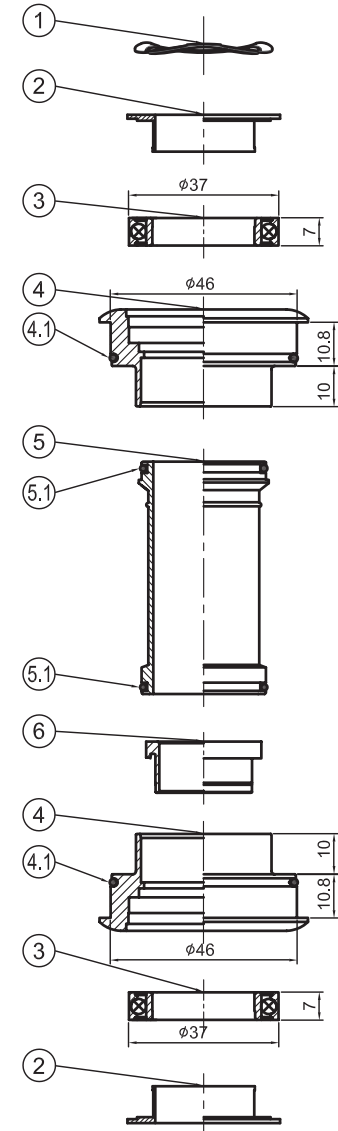


## PT-6635SM BB386 adapter for SHIMANO

L/R cup OD46mm  
 Adapts for BB386 frame (Ø46 x 86.5mm)  
 to fit SRAM cranksets  
 Compatible with SRAM groups  
 Anodized available



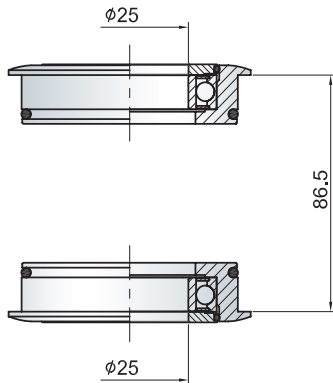
NO.	零件名稱 ITEM NAME	零件料號 ITEM NO.	材質 MATERIAL	數量 QTY
1	彈簧墊片 SPRING WASHER	H2212	K7	1PCS
2	防水圈 SEAL	A266	Nylon	2PCS
3	6805 培林 / BEARING	R414	SUJ2	2PCS
4	6635SM 鋁碗	B231	AL6061	2PCS
4.1	O 型圈	A269	Rubber	2PCS
5	中管 SHELL	B567-2	黑 PC	1PCS
5.1	O 型圈 / O-RING	A269	Rubber	2PCS
6	6630 鋁襯套 BUSHING	B609	AL7075	1PCS
	附 BB 說明書	B-29	-	1PCS



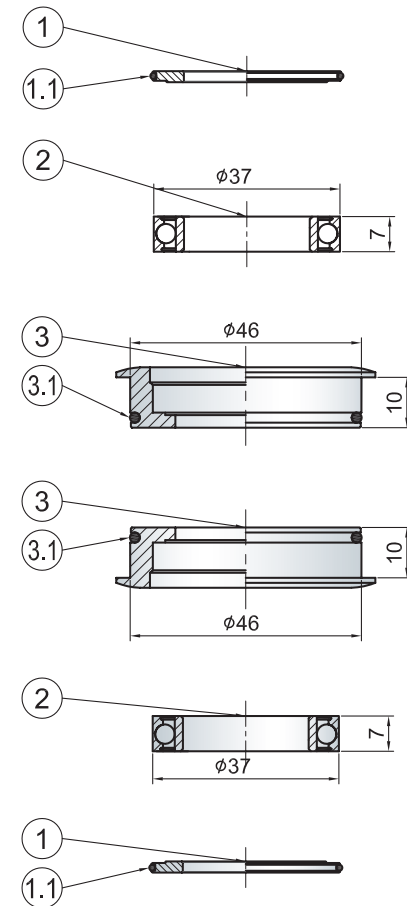


## PT-6635SA BB386 adapter for CAMPY

CNC machined alloy cups  
 L/R cup OD46mm  
 Adapts for BB386 frame (Ø46 x 86.5mm)  
 to fit CAMPY cranksets  
 Anodized available



NO.	零件名稱 ITEM NAME	零件料號 ITEM NO.	材質 MATERIAL	數量 QTY
1	鋁墊片 / SPACER	B639	AL6061	2PCS
1.1	O 型圈 / O-RING	A296	Rubber	2PCS
2	6805 培林 / BEARING	R414	SUJ2	2PCS
3	6635SA 鋁碗 / CUP	B232	AL6061	2PCS
3.1	O 型圈 / O-RING	A284	Rubber	2PCS
	附 BB 說明書	B-17	-	1PCS



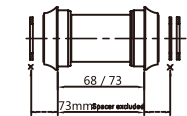
BB386/BB386 ADAPTER



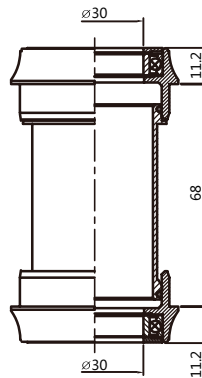
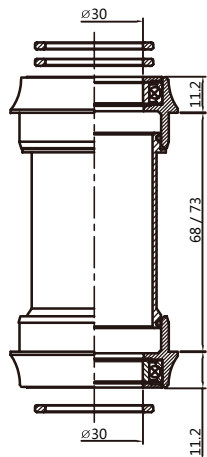
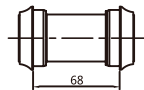
## PT-6637A

PF 30BB for 30mm spindle  
L/R cup OD46mm  
Press Fit MTB/ Road  
Double sealed cartridge bearings  
R433 bearing 6806  
OD:42 ID:30 T:7

MTB

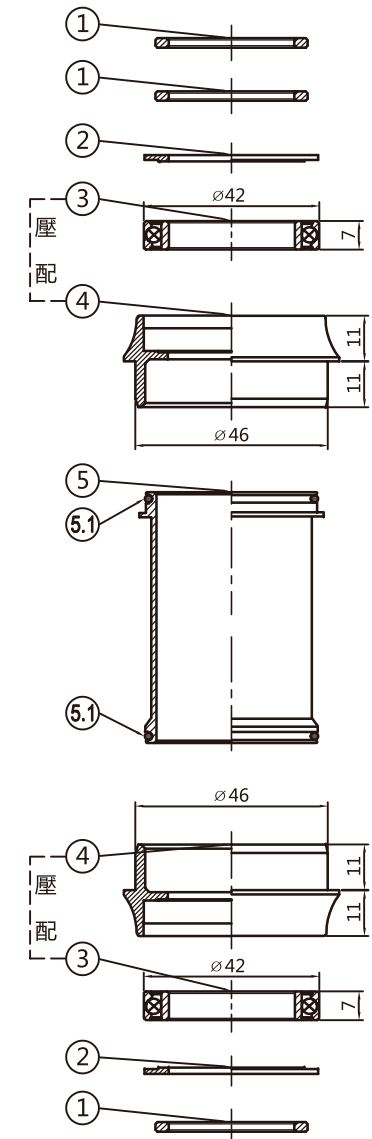


ROAD



型號 MODEL NO.	零件料號 Item No.	材質 MATERIAL
PT-6637A	R433	SUJ2
PT-6637ACB	R433A	Ceramic

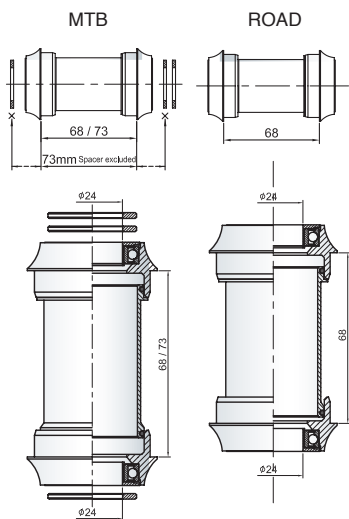
NO.	零件名稱 ITEM NAME	零件料號 ITEM NO.	材質 MATERIAL	數量 QTY
1	36.5x30x2.5 鋁華司 / WASHER	B622	AL6061	3PCS
2	6637A 鋁襯套 / BUSHING	B657	AL6061	2PCS
3	6806 培林 / BEARING	-	-	2PCS
4	6637S 碗 / CUP	B269	AL6061	2PCS
5	6637 鋁中管	B579	AL6061	1PCS
5.1	O 型圈 / O-RING	A284	Rubber	2PCS
	附 BB 說明書	B-07	-	1PCS





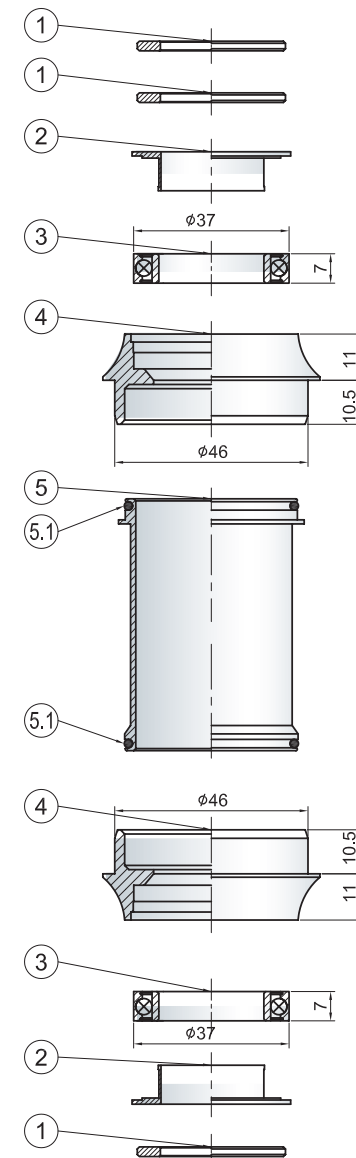
## PT-6637

PF30BB for transform into BB24,  
L/R cup OD46mm  
Pressfit for MTB/ROAD  
Double sealed cartridge bearings  
(OD37mm x ID25mm x H7mm)  
Compatible with Shimano groups  
Option: 6637CB ceramic bearings



型號 MODEL NO.	零件料號 Item No.	材質 MATERIAL
PT-6637	R414	SUJ2
PT-6637CB	R414A	Ceramic

NO.	零件名稱 ITEM NAME	零件料號 ITEM NO.	材質 MATERIAL	數量 QTY
1	鋁墊圈 ( Ø35* Ø24* 2.3 ) / SPACER	B620	AL6061	3PCS
2	防水圈 / SEAL	A266	Nylon	2PCS
3	6805 培林 / BEARING	-	-	2PCS
4	6637 鋁碗 / CUP	B221	AL6061	2PCS
5	6637 鋁中管 / SHELL	B579	AL6061	1PCS
5.1	O 型圈 / O-RING	A284	Rubber	2PCS
	附 BB 說明書	B-07		1PCS

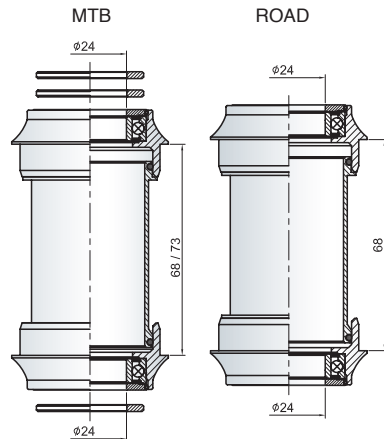


PF30 / PF30 ADAPTER



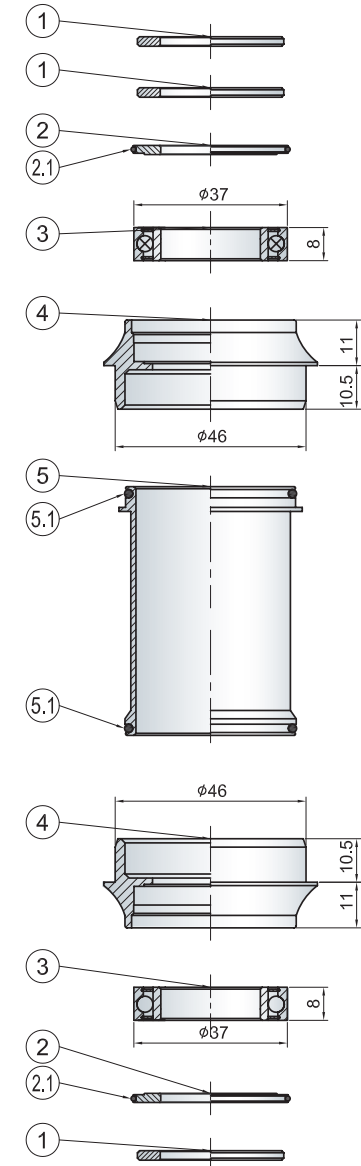
## PT-6637H PF30 adapter for SHIMANO

PF30BB for transform into BB24,  
L/R cup OD46mm  
Pressfit for MTB/ROAD  
Double sealed cartridge bearings  
(OD37mm x ID24 x H8mm)  
Compatible with SHIMANO groups



	型號 MODEL NO.	零件料號 Item No.	材質 MATERIAL
③	PT-6637H	R444	SUJ2

NO.	零件名稱 ITEM NAME	零件料號 ITEM NO.	材質 MATERIAL	數量 QTY
1	鋁墊圈 ( Ø35* Ø24* 2.3 ) / SPACER	B620	AL6061	3PCS
2	鋁墊片 ( Ø37.5* Ø24.05* 2.2 ) / SPACER	B637	AL6061	2PCS
2.1	O 型圈 / O-RING	A296	Rubber	2PCS
3	軸承 / SEALED BEARING	-	-	2PCS
4	6637H 鋁碗 / CUP	B235	AL6061	2PCS
5	6637 鋁中管 / SHELL	B579	AL6061	1PCS
5.1	O 型圈 / O-RING	A284	Rubber	2PCS
	附 BB 說明書	B-07		1PCS

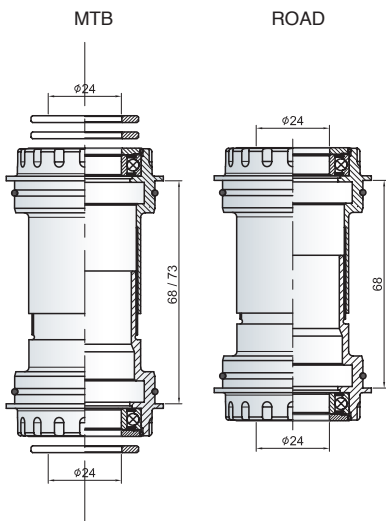




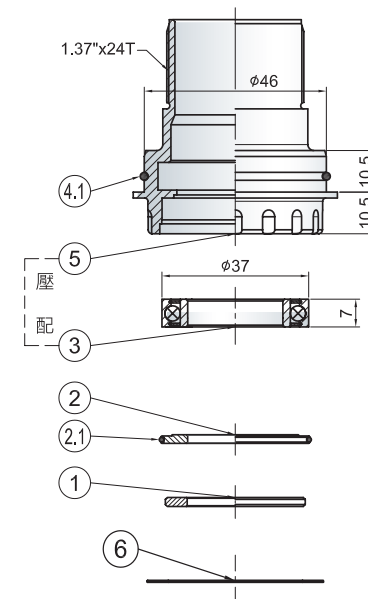
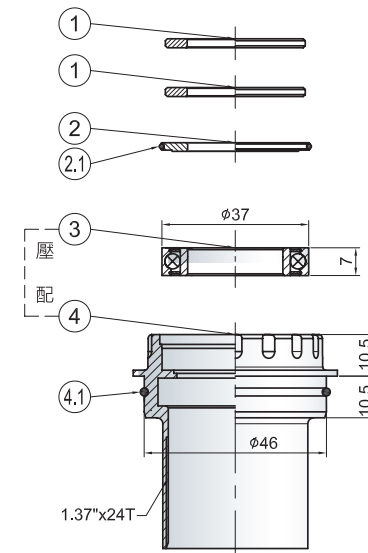
## PT-6639

PF30BB frame for Shimano  $\varnothing 24$  crankset  
 L/R cup OD46mm  
 Pressfit for MTB/ROAD  
 Double sealed cartridge bearings  
 Compatible with SHIMANO groups  
 L/R cups w/threaded / center threaded locking on design  
 Option: 6639CB ceramic bearings

型號 MODEL NO.	零件料號 Item No.	材質 MATERIAL
PT-6639	R451	SUJ2
PT-6639CB	R451A	Ceramic



NO.	零件名稱 ITEM NAME	零件料號 ITEM NO.	材質 MATERIAL	數量 QTY
1	鋁墊圈 ( $\varnothing 35 \times \varnothing 24 \times 2.3$ ) / SPACER	B620	AL6061	3PCS
2	鋁墊片 ( $\varnothing 37.5 \times \varnothing 24.05 \times 2.2$ ) / SPACER	B637	AL6061	2PCS
2.1	O 型圈 / O-RING	A269	Rubber	2PCS
3	培林 / BEARING	-	-	2PCS
4	6639 右碗 / CUP	B239	AL6061	1PCS
4.1	O 型圈 / O-RING	A284	Rubber	2PCS
5	6639 左碗 / CUP	B240	AL6061	1PCS
6	華司 ( $\varnothing 32 \times \varnothing 24.5 \times 0.25$ ) (出貨必須附件) / WASHER	H2404	SUS430	3PCS
	附 BB 說明書	B-21	-	1PCS



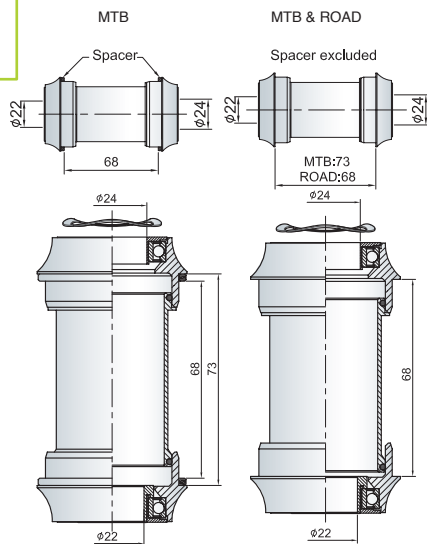
· H2404 華司, 不需組立, 出貨需附 3PCS



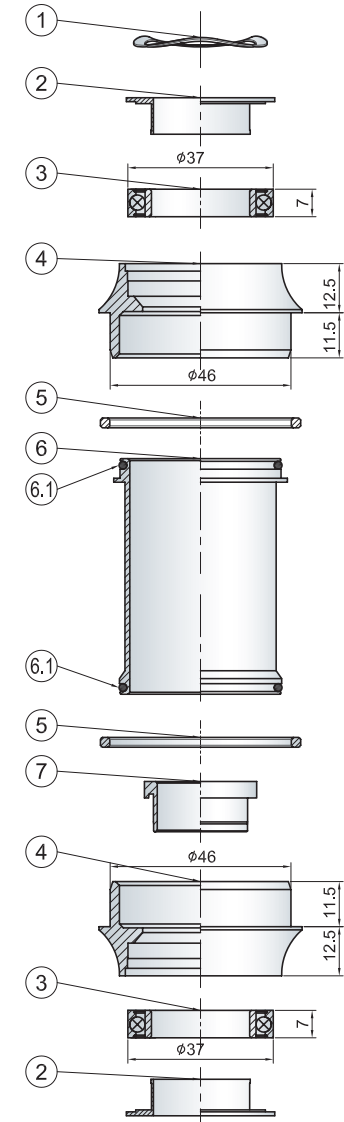
## PT-6637M

PF30BB for transform into 22/24,  
L/R cup OD46mm  
Pressfit for MTB/ROAD  
Double sealed cartridge bearings  
(OD37mm x ID24 x H8mm)  
Compatible with SRAM groups  
Option: 6637MCB ceramic bearings

型號 MODEL NO.	零件料號 Item No.	材質 MATERIAL
PT-6637M	R414	SUJ2
PT-6637MCB	R414A	Ceramic



NO.	零件名稱 ITEM NAME	零件料號 ITEM NO.	材質 MATERIAL	數量 QTY
1	彈簧墊片 / SPRING WASHER	H2212	K7	
2	防水圈 / SEAL	A266	Nylon	2PCS
3	6805 培林 / BEARING	-	-	2PCS
4	6637M 鋁碗 / CUP	B225	AL6061	2PCS
5	鋁墊圈 (Ø51* Ø46.2* 2.5) / SPACER	B632	AL6061	2PCS
6	6637 鋁中管 / SHELL	B579	AL6061	1PCS
6.1	O 型圈 / O-RING	A284	Rubber	2PCS
7	6630 鋁襯套 / BUSHING	B609	AL7075	1PCS
	附 BB 說明書	B-11	-	1PCS

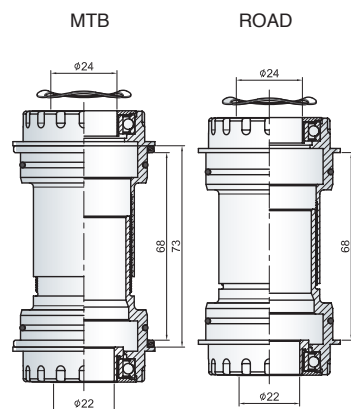




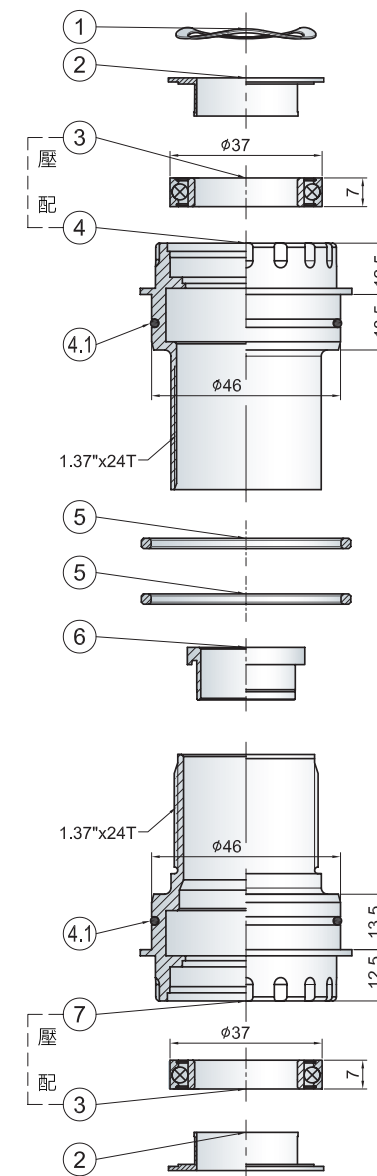
## PT-6639M

PF30BB for transform into 22/24, L/R cup OD46mm  
 Pressfit for MTB/ROAD  
 Double sealed cartridge bearings  
 Compatible with SRAM groups  
 6639MCB ceramic bearings

型號 MODEL NO.	零件料號 Item No.	材質 MATERIAL
PT-6639M	R414	SUJ2
PT-6639MCB	R414A	Ceramic



NO.	零件名稱 ITEM NAME	零件料號 ITEM NO.	材質 MATERIAL	數量 QTY
1	彈簧墊片 / SPRING WASHER	H2212	K7	1PCS
2	防水圈 / SEAL	A266	Nylon	2PCS
3	6805 培林 / BEARING	-	-	2PCS
4	6639M 右碗 / CUP	B241	AL6061	1PCS
4.1	O 型圈 / O-RING	A284	Rubber	2PCS
5	鋁墊圈 (ø51* ø46.2* 2.5) / SPACER	B632	AL6061	2PCS
6	6630 鋁襯套 / BUSHING	B609	AL7075	1PCS
7	6639M 左碗 / CUP	B242	AL6061	1PCS
	附 BB 說明書	B-22	-	1PCS



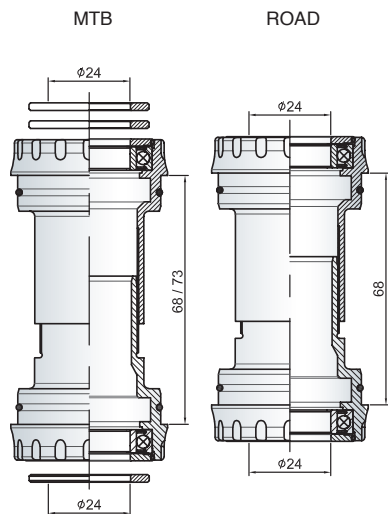
PF30 / PF30 ADAPTER



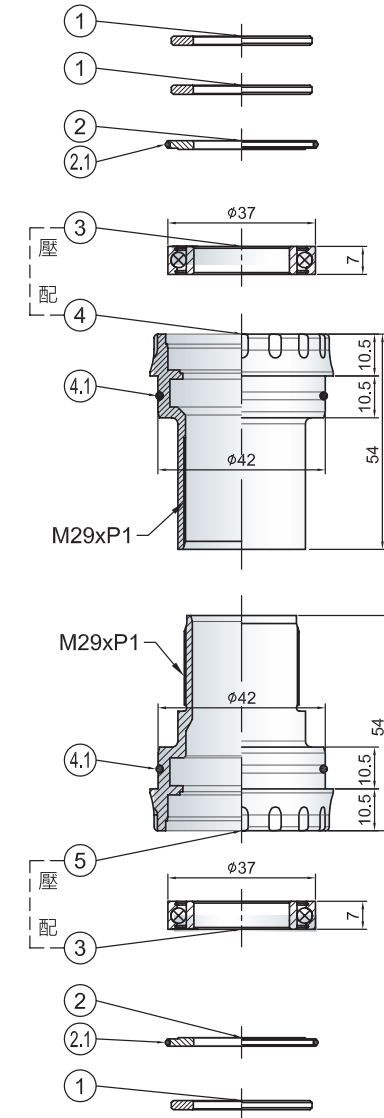
## PT-6632F BB30 adapter for SHIMANO

BB30 frame ID42 for  $\varnothing 24$  crankset L/R cup OD42mm  
w/seals cartridge bearings  
Compatible with SHIMANO groups  
Center shell w/Threaded locking on design

型號 MODEL NO.	零件料號 Item No.	材質 MATERIAL
PT-6632F	R451	SUJ2
PT-6632FCB	R451A	Ceramic



NO.	零件名稱 ITEM NAME	零件料號 ITEM NO.	材質 MATERIAL	數量 QTY
1	鋁墊圈 ( $\varnothing 35 \times \varnothing 24 \times 2.3$ ) SPACER	B620	AL6061	3PCS
2	鋁墊片 ( $\varnothing 37.5 \times \varnothing 24.05 \times 2.2$ ) SPACER	B637	AL6061	2PCS
2.1	O 型圈 / O-RING	A296	Rubber	2PCS
3	培林 / BEARING	-	-	2PCS
4	6632F 右碗 / CUP	B247	AL6061	1PCS
4.1	O 型圈 / O-RING	A255	Rubber	2PCS
5	6632F 左碗 / CUP	B248	AL6061	1PCS
6	華司 ( $\varnothing 32 \times \varnothing 24.5 \times 0.25$ ) ( 出貨必須附件 ) / WASHER	H2404	SUS430	3PCS
	附 BB 說明書	B-21	-	1PCS

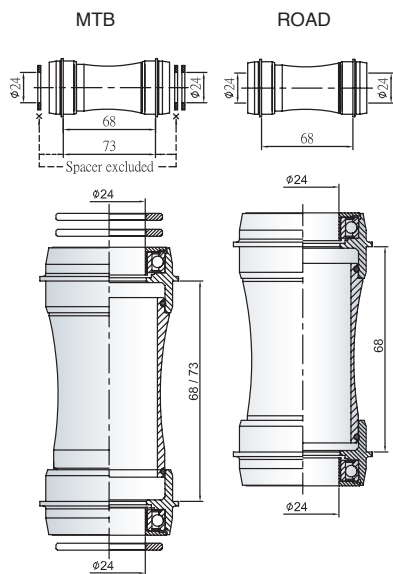




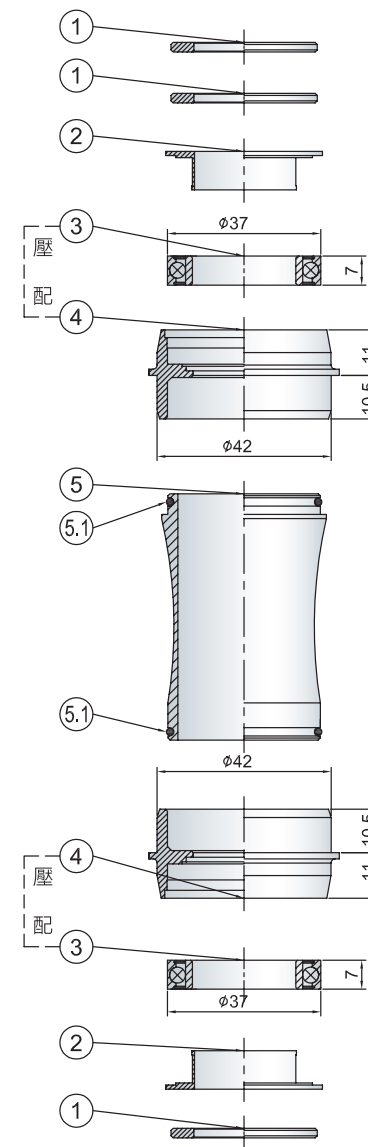
## PT-6632D

CNC machined alloy cups  
 Alloy shell  
 Sealed cartridge bearings,  
 L/R cup OD42mm  
 BB30 for transform into BB24, Pressfit for MTB/ROAD  
 Compatible with shimano groups  
 Anodized available  
 PT-6632DCB ceramic bearings

型號 MODEL NO.	零件料號 Item No.	材質 MATERIAL
PT-6632D	R414	SUJ2
PT-6632DCB	R414A	Ceramic



NO.	零件名稱 ITEM NAME	零件料號 ITEM NO.	材質 MATERIAL	數量 QTY
1	鋁墊圈 (Ø35* Ø24* 2.3) / SPACER	B620	AL6061	3PCS
2	防水圈 / SEAL	A266	Nylon	2PCS
3	6805 培林 / BEARING	-	-	2PCS
4	6632 左碗 / CUP	B212	AL6061	2PCS
5	EX-5 中管 / SHELL	B572	AL6061	1PCS
5.1	O 型圈 / O-RING	A255	Rubber	2PCS
	附 BB 說明書	B-07	-	1PCS



PF30 ADAPTER

# BOTTOM BRACKETS

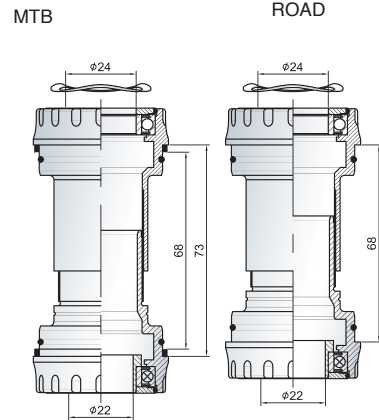
YANTEC INDUSTRIES INC.

BB 30 ADAPTER



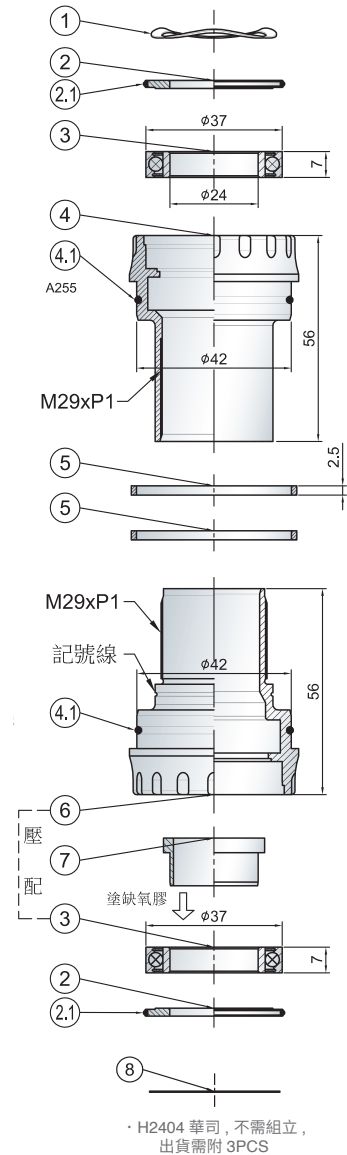
## PT-6632GM

BB 30 adpter for SRAM  
 BB 30 transform into BB24/22 L/R cup, for MTB/ROAD  
 w/seales cartridge bearings  
 Compatible with SRAM groups  
 Center Threaded lock on design



型號 MODEL NO.	零件料號 Item No.	材質 MATERIAL
PT-6632GM	R451	SUJ2
PT-6632GMCB	R451A	Ceramic

NO.	零件名稱 ITME NAME	零件料號 ITEM NO.	材質 MATERIAL	數量 QTY
1	彈簧墊片 / SPRING WASHER	H2212	K7	1PCS
2	鋁墊片 / SPACER	B637	AL6061	2PCS
2.1	O 型圈 / O-RING	A296	Rubber	2PCS
3	培林 / BBEARING	R451	-	2PCS
4	6632FM 右碗 / CUP-R	B247-2	AL6061	1PCS
4.1	O 型圈 / O-RING	A255	Rubber	2PCS
5	42 鋁墊圈 / SPACER	B611	AL6061	2PCS
6	6632GM 左碗 / CUP-L	B248-3	AL6061	1PCS
7	鋁襯套 / BUSHING	B658	AL7075	1PCS
8	華司 / WASHER	H2404	SUS430	3PCS
	附 BB 說明書	B-22	-	1PCS

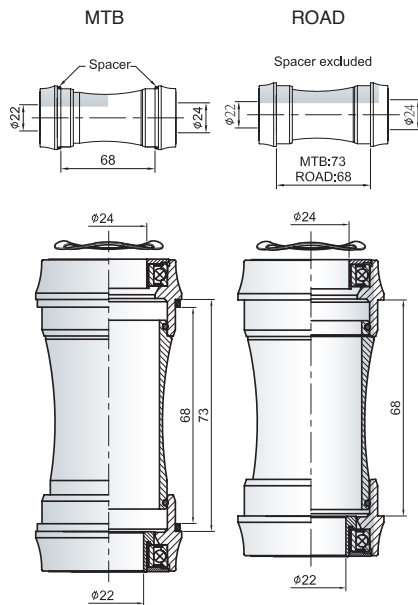




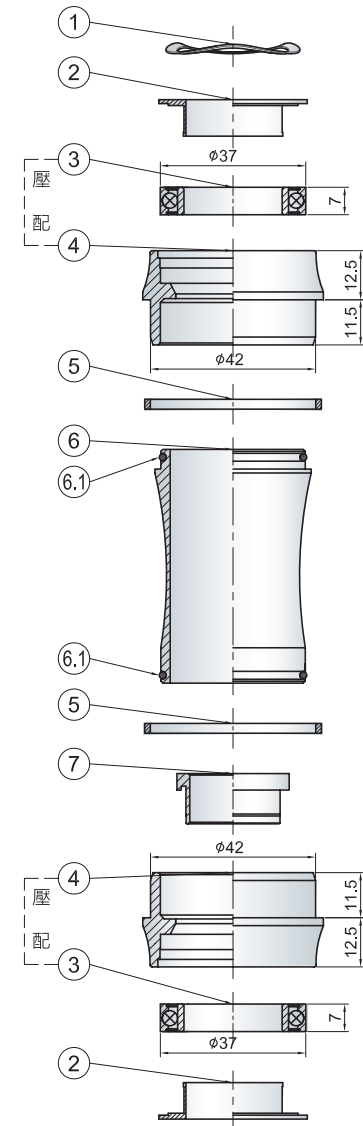
## PT-6632DM B30 Adapter for SRAM

CNC machined alloy cups  
 Alloy shell  
 L/R cup OD42mm  
 BB30 for transform into 24/24, Pressfit for MTB/ROAD  
 Compatible with shimano groups  
 Anodized available  
 PT-6632DMCB ceramic bearings

型號 MODEL NO.	零件料號 Item No.	材質 MATERIAL
PT-6632DM	R414	SUJ2
PT-6632DMCB	R414A	Ceramic



NO.	零件名稱 ITEM NAME	零件料號 ITEM NO.	材質 MATERIAL	數量 QTY
1	彈簧墊片 / SPRING WASHER	H2212	K7	1PCS
2	防水圈 / SEAL	A266	Nylon	2PCS
3	6805 培林 / BEARING	-	-	2PCS
4	6632DM 鋁碗 / CUP	B228	AL6061	2PCS
5	42 鋁墊圈 / SPACER	B611	AL6061	2PCS
6	EX-5 中管 / SHELL	B572	AL6061	1PCS
6.1	O 型圈 / O-RING	A255	Rubber	2PCS
7	6630 鋁襯套 / BUSHING	B609	AL7075	1PCS
	附 BB 說明書	B-11	-	1PCS



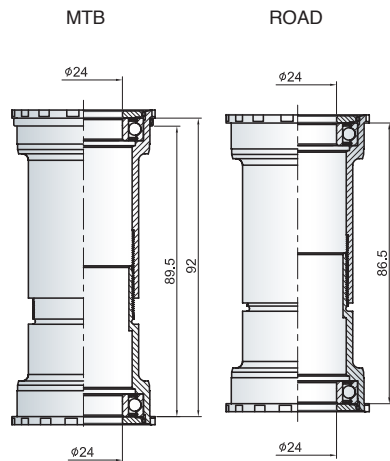
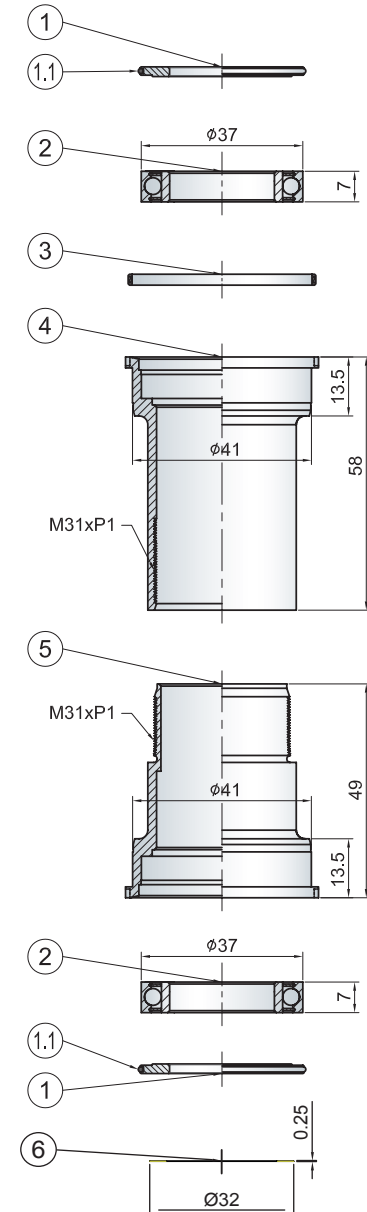
PF30 ADAPTER



## PT-6624AT PT-6624ATM BB86/92 for 24mm cranksets

CNC machined alloy cups  
L/R cups OD41mm  
Double Sealed cartridge bearing  
BB86/92 Pressfit for ROAD/MTB(SHIMANO)  
Weight: 113g  
Anodized available  
Center shell W/Threaded locking on design

型號 MODEL NO.	零件料號 Item No.	材質 MATERIAL
PT-6624AT	R451	SUJ2
PT-6624ATCB	R451A	Ceramic



NO.	零件名稱 ITEM NAME	零件料號 ITEM NO.	材質 MATERIAL	數量 QTY
1	鋁墊片 ( Ø37.5* Ø24.05* 2.2 ) / SPACER	B637	AL6061	2PCS
1.1	O 型圈 / O-RING	A296	Rubber	2PCS
2	培林 / BEARING	-	-	2PCS
3	44 鋁墊圈 / SPACER	B613	AL6061	1PCS
4	6624AT 右碗 / CUP-R	B258	AL6061	1PCS
5	6624AT 左碗 / CUP-L	B259	AL6061	1PCS
6	華司 WASHER	H2404	SUS430	1PCS
	附 BB 說明書	B-30	-	1PCS



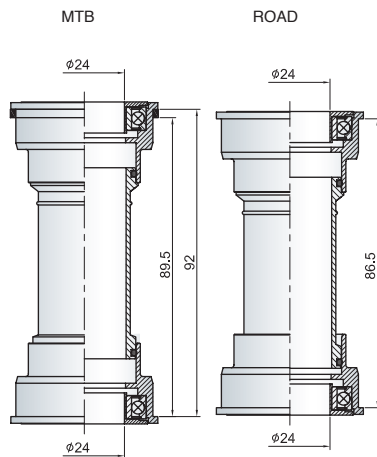
## PT-6624 for SHIMANO

## PT-6623 for SRAM

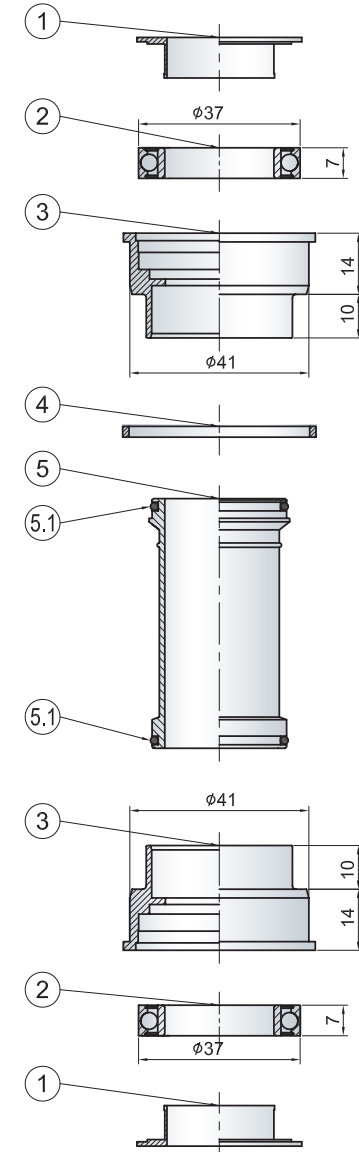
### BB86/92 for 24mm cranksets

Forged alloy and CNC machined cups  
 Double sealed cartridge bearings  
 Plastic shell  
 BB86/92 Pressfit for ROAD/MTB(SHIMANO)  
 Anodized available  
 Option: PT-6624CB ceramic bearings

型號 MODEL NO.	零件料號 Item No.	材質 MATERIAL
PT-6624	R414	SUJ2
PT-6624CB	R414A	Ceramic



NO.	零件名稱 ITEM NAME	零件料號 ITEM NO.	材質 MATERIAL	數量 QTY
1	防水圈 / SEAL	A266	Nylon	2PCS
2	6805 培林 / BEARING	-		2PCS
3	41 軸承碗 / CUP	B214-1	AL6061	2PCS
4	44 鋁墊圈 / SPACER	B613	AL6061	1PCS
5	中管 / SHELL	B567-2	黑 PC	1PCS
5.1	O 型圈 / O-RING	A269	Rubber	2PCS
	附 BB 說明書	B-03	-	1PCS



BB 36 / BB92 ADAPTER

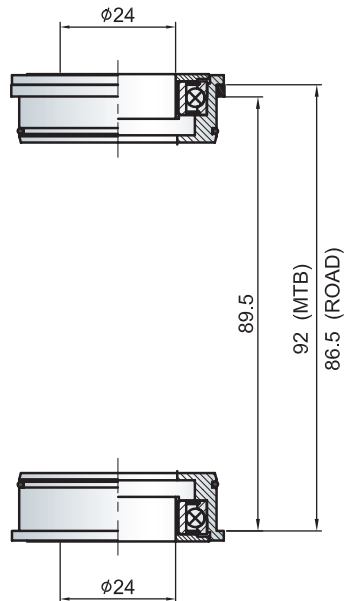


## PT-6624D for SHIMANO

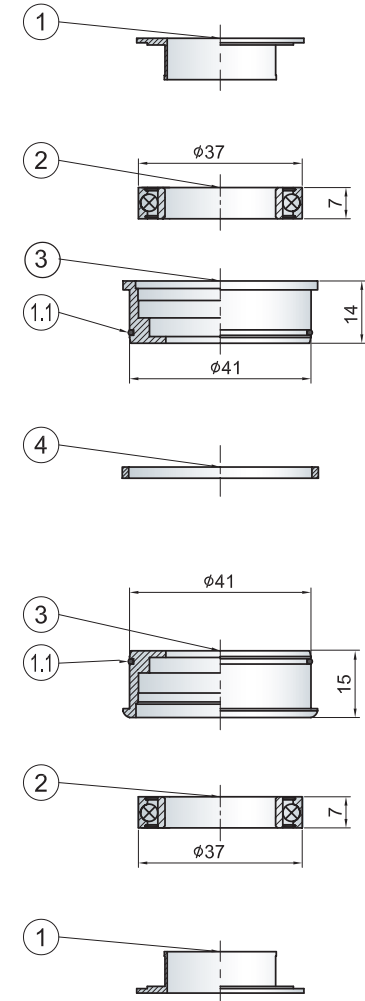
## PT-6623D for SRAM

Forged alloy and CNC machined cups  
 Double sealed cartridge bearings  
 w/O shell  
 For BB86/92 Pressfit / SHIMANO system  
 Weight:72g  
 Anodized available  
 Option: PT-6624CB ceramic bearings

型號 MODEL NO.	零件料號 Item No.	材質 MATERIAL
PT-6624D	R414	SUJ2
PT-6624DCB	R414A	Ceramic



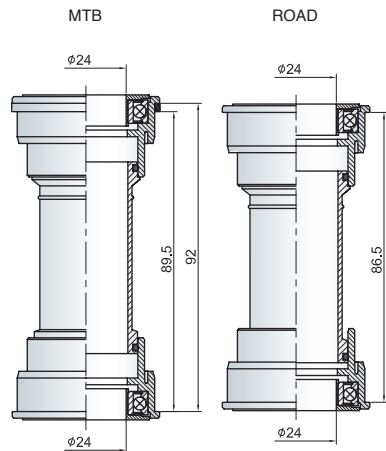
NO.	零件名稱 ITEM NAME	零件料號 ITEM NO.	材質 MATERIAL	數量 QTY
1	防水圈 / SEAL	A266	Nylon	2PCS
2	6805 培林 / BEARING	-	-	2PCS
3	6624D 鋁碗 / CUP	B227	AL6061	2PCS
3.1	O 型圈 / O-RING	A296	Rubber	2PCS
4	44 鋁墊圈 / SPACER	B613	AL6061	1PCS





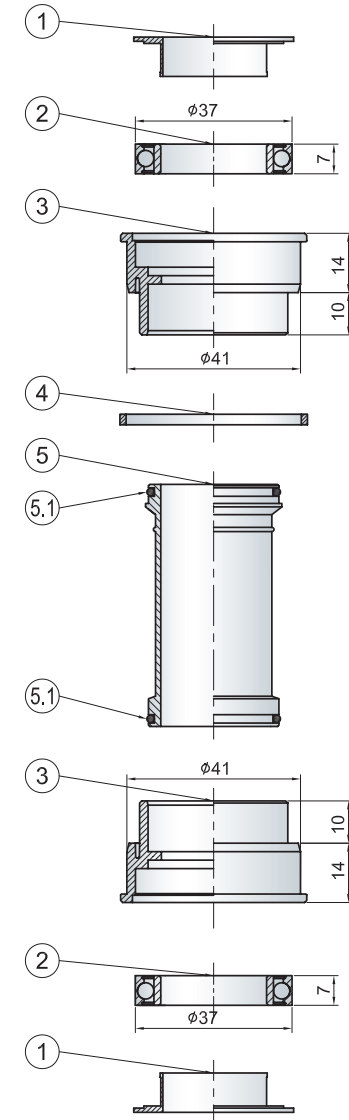
## PT-6624P for SHIMANO PT-6623P for SRAM

Plastic cups  
Double sealed cartridge bearings  
Plastic shell  
BB86/92 Press fit for SHIMANO (MTB/ROAD)  
Weight:77g



型號 MODEL NO.	零件料號 Item No.	材質 MATERIAL
PT-6624P	R414	SUJ2
PT-6624PCB	R414A	Ceramic

NO.	零件名稱 ITEM NAME	零件料號 ITEM NO.	材質 MATERIAL	數量 QTY
1	防水圈 / SEAL	A266	Nylon	2PCS
2	6805 培林 / BEARING	-	-	2PCS
3	41 尼龍軸承碗 / CUP	B229	Nylon N6	2PCS
4	44 鋁墊圈 / SPACER	B613	AL6061	1PCS
5	中管 / SHELL	B567-2	黑 PC	1PCS
5.1	O 型圈 / O-RING	A269	Rubber	2PCS
	附 BB 說明書	B-03	-	1PCS



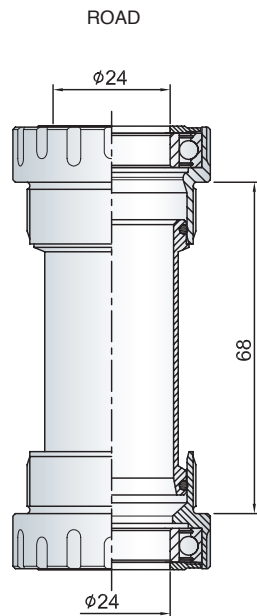
BB 36 / BB92 ADAPTER



## PT-6628S

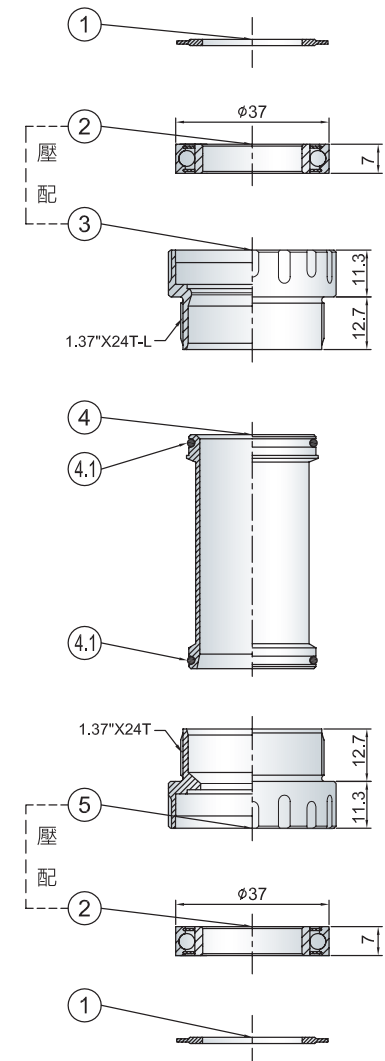
For SHIMANO BB R60

Weight: 92g  
 compatible BC1.37" x 24T Frame Forged alloy & CNC  
 machined cups alloy shell w/double o-ring seals  
 Double sealed cartridge bearings  
 Anodized color



型號 MODEL NO.	零件料號 Item No.	材質 MATERIAL
PT-6628S	R451	SUJ2
PT-6628SCB	R451A	Ceramic

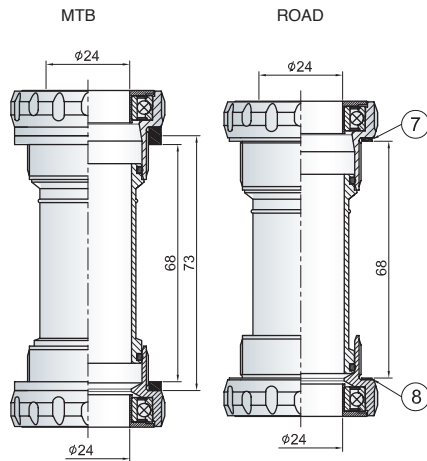
NO.	零件名稱 ITEM NAME	零件料號 ITEM NO.	材質 MATERIAL	數量 QTY
1	鋁墊片 / SPACER	B646	AL6061	2PCS
2	培林 / BEARING	-	-	2PCS
3	6628S 反牙碗 / CUP	B262	AL6061	1PCS
4	6628 中管 / SHELL	B559	AL6061	1PCS
4.1	O 型圈 / O-RING	A269	Rubber	2PCS
5	6628S 正牙碗 / CUP	B263	AL6061	1PCS





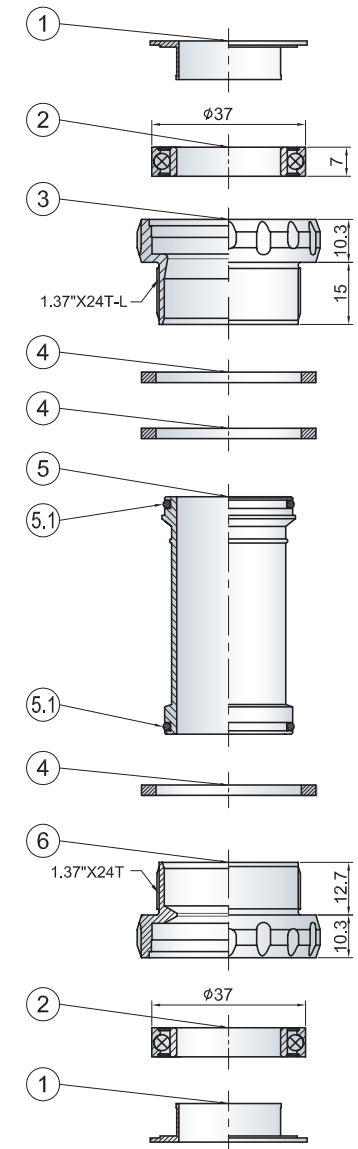
## PT-6629D

BC 1.37" x 24T-68 and 73mm width  
 Plastic shell  
 Double Sealed cartridge Bearings  
 Anodized color available  
 Compatible with SHIMANO groups (MTB/ROAD)  
 Option: 6629DCB ceramic bearings



型號 MODEL NO.	零件料號 Item No.	材質 MATERIAL
PT-6629D	R414	SUJ2
PT-6629DCB	R414A	Ceramic

NO.	零件名稱 ITEM NAME	零件料號 ITEM NO.	材質 MATERIAL	數量 QTY
1	防水圈 / SEAL	A266	Nylon	2PCS
2	6805 培林 / BEARING	-	-	2PCS
3	6629 反牙碗 / CUP	B209-10	AL6061	1PCS
4	鋁墊圈 / SPACER	B608	AL6061	3PCS
5	中管 / SHELL	B567-2	黑 PC	1PCS
5.1	O 型圈 / O-RING	A269	Rubber	2PCS
6	6629 正牙碗 / CUP	B209-9	AL6061	1PCS
7	墊圈 ( Ø41* Ø35* 1.0 ) / WASHER	B614	SUS	1PCS
8	墊圈 ( Ø41* Ø35* 0.5 ) / WASHER	B615	SUS	1PCS
	附 BB 說明書	B-04	-	2PCS



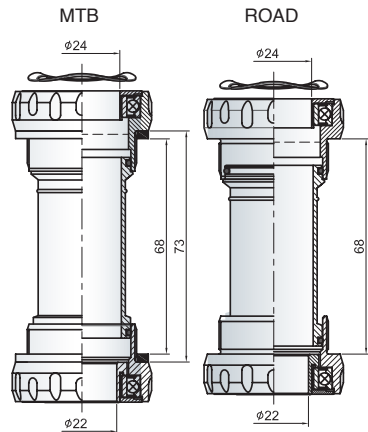
EXTERNAL BB



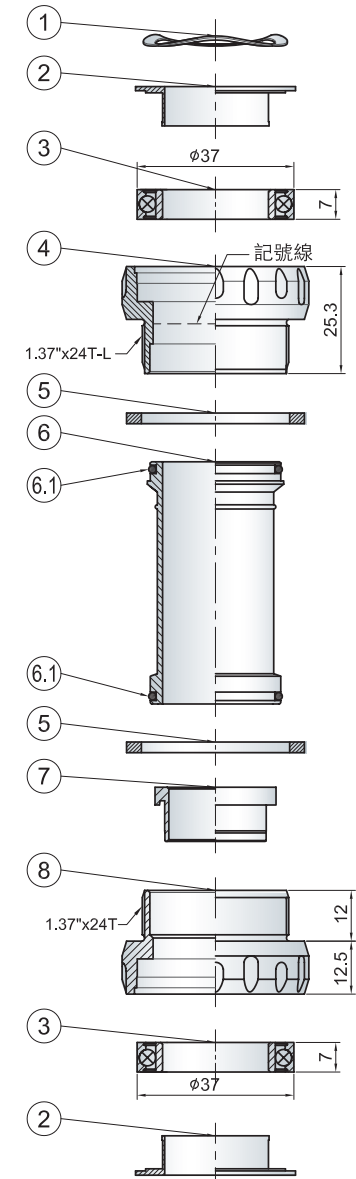
## PT-6630D

BC 1.37" x 24T-68 and 73mm width  
 Plastic shell  
 Double Sealed cartridge Bearings  
 Anodized color available  
 Compatible with SRAM groups  
 (MTB/ROAD)  
 Option: PT-6630DCB ceramic bearings

型號 MODEL NO.	零件料號 Item No.	材質 MATERIAL
PT-6630D	R414	SUJ2
PT-6630DCB	R414A	Ceramic



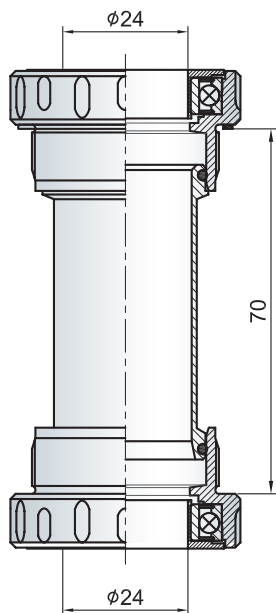
NO.	零件名稱 ITEM NAME	零件料號 ITEM NO.	材質 MATERIAL	數量 QTY
1	彈簧墊片 / SPRING WASHER	H2212	K7	1PCS
2	防水圈 / SEAL	A266	Nylon	2PCS
3	6805 培林 / BEARING	-	-	2PCS
4	6631 反牙碗 / CUP	B209-12	AL6061	1PCS
5	鋁墊圈 / SPACER	B608	AL6061	2PCS
6	中管 / SHELL	B567-2	黑 PC	1PCS
6.1	O 型圈 / O-RING	A269	Rubber	2PCS
7	6630 鋁襯套 / BUSHING	B609	AL7075	1PCS
8	6631 正牙碗 / CUP	B209-11	AL6061	1PCS
	附 BB 說明書	B-05	-	1PCS





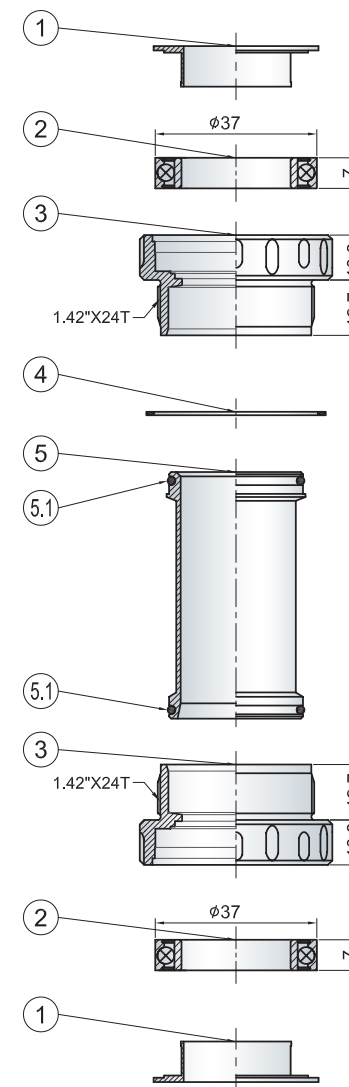
## PT-66281

ITA.36mm□24T-70mm shell  
 Double sealed cartridge bearings  
 Weight:108g



型號 MODEL NO.	零件料號 Item No.	材質 MATERIAL
PT-66281	R414	SUJ2
PT-66281CB	R414A	Ceramic

NO.	零件名稱 ITEM NAME	零件料號 ITEM NO.	材質 MATERIAL	數量 QTY
1	防水圈 / SEAL	A266	Nylon	2PCS
2	6805 培林 / BEARING	-	-	2PCS
3	6628I 牙碗 / CUP	B208-3	AL6061	2PCS
4	油封圈 / SEAL	A263	Nylon	1PCS
5	6628 中管 / SHELL	B559	AL6061	1PCS
5.1	O 型圈 / O-RING	A269	Rubber	2PCS



EXTERNAL BB



## PT-6621AH

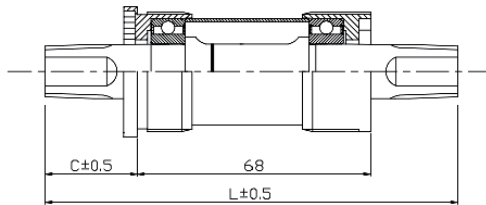
## PT-6621AHCB

2 pcs cartridge sealed bearings  
 BC 1.37 x 24T  
 Cold-forged Alloy cups / water seal  
 Alloy body  
 10B21 CNC machined hollow axle  
 Full set AL6061 CNC machined Alloy  
 Finish: Satin Nickel Axle w/anodized cups

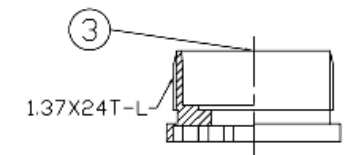
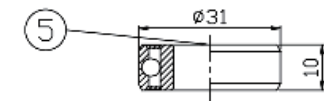
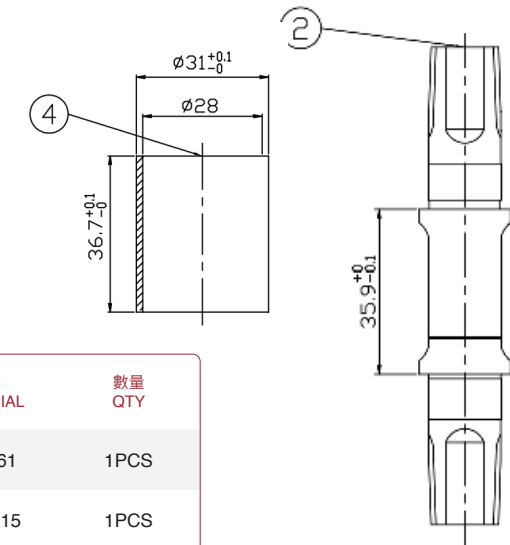
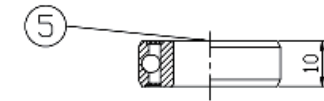
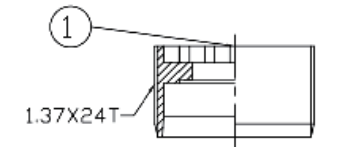
型號 MODEL NO.	零件料號 Item No.	材質 MATERIAL
PT-6621AH	R403	SUJ2
PT-6621AHCB	R4	Ceramic

Bracket Width: 68

L	107.5	110.5	113.5	116	119	122.5	124.5	127.5
C	20.5	20.5	23	25	27	28	29.5	30.5



NO.	零件名稱 ITEM NAME	零件料號 ITEM NO.	材質 MATERIAL	數量 QTY
1	6621 正牙碗 / CUP-L	B207-B	AL6061	1PCS
2	6621AH 通孔心軸	B6621AH	SCM415	1PCS
4	6621A 反牙碗 / CUP-R	B207-A	AL6061	1PCS
5	中套 / SHELL	B551	AL6061	1PCS
6	培林 / SEALED BEARING	-	-	2PCS

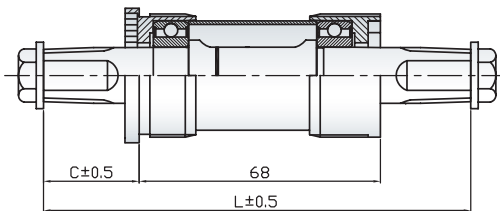




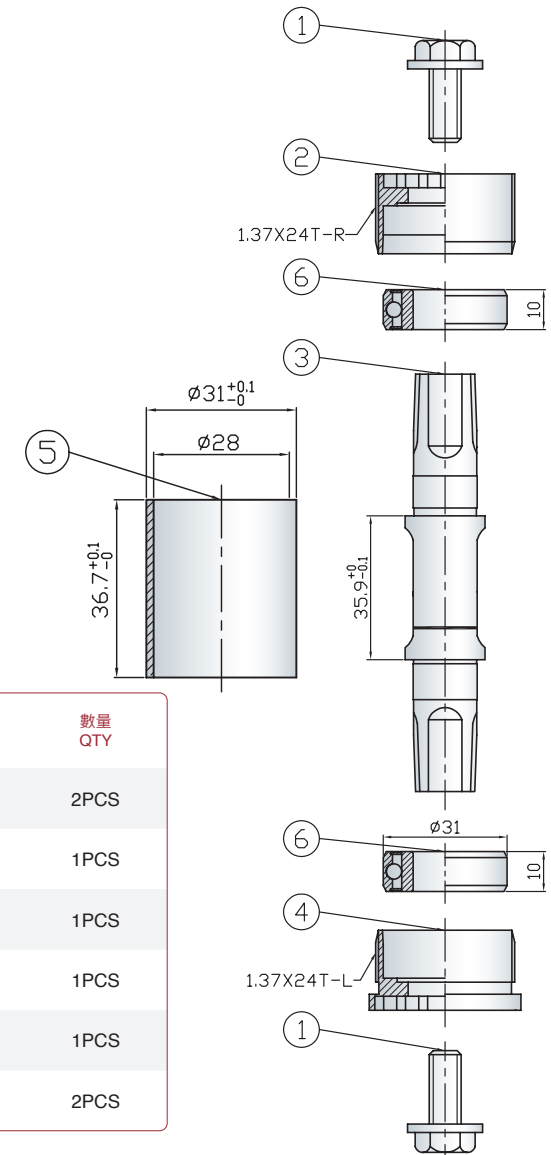
## PT-6621A

2 pcs cartridge sealed bearings  
 BC 1.37 x 24T  
 Cold-forged Alloy cups / water seal  
 Alloy body  
 10B21 CNC machined axle  
 Full set AL6061 CNC machined Alloy

Bracket Width: 68									
L	107.5	110.5	113.5	116	119	122.5	124.5	127.5	
C	20.5	20.5	23	25	27	28	29.5	30.5	



NO.	零件名稱 ITEM NAME	零件料號 ITEM NO.	材質 MATERIAL	數量 QTY
1	M8 外六角螺絲 / BLOT	B501	SCM	2PCS
2	6621A 正牙碗 / CUP-L	B207-B	AL6061	1PCS
3	B6621 心軸 / AXLE	B6621	10B21	1PCS
4	6621A 反牙碗 / CUP-R	B207-A	AL6061	1PCS
5	中套 / SHELL	B551	AL6061	1PCS
6	培林 / SEALED BEARING	R403	SUJ2	2PCS



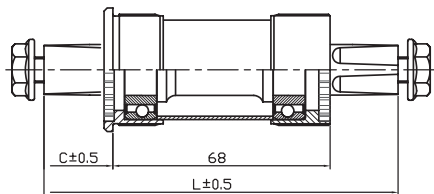
SQUARE COTTERLESS BB



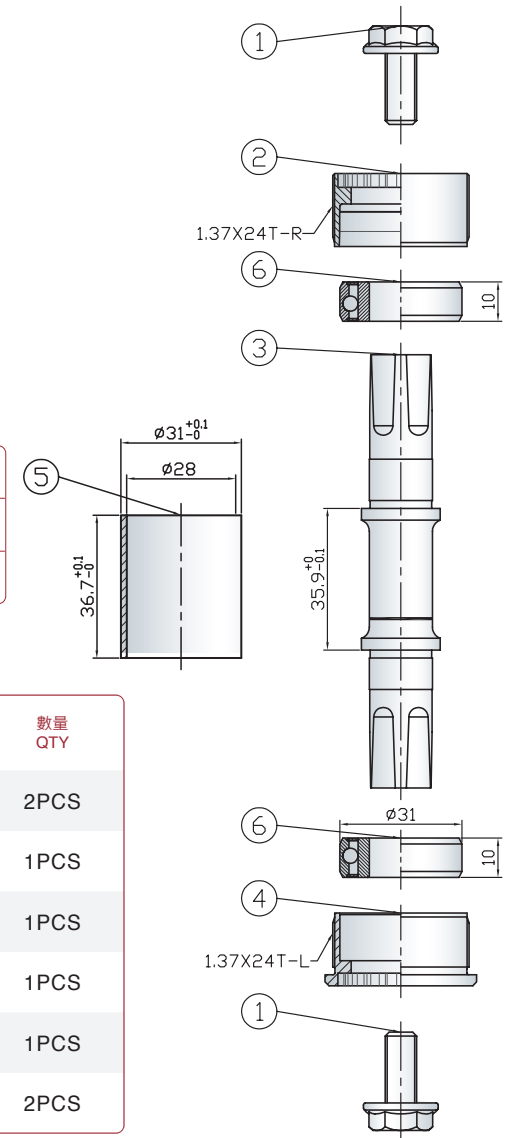
## PT-6621

2 pcs cartridge sealed bearings  
 BC 1.37 x 24T  
 Cold-forged Steel cups / water seal  
 Alloy body  
 10B21 CNC machined solid black axle

Bracket Width: 68									
L	103	107.5	110.5	113.5	116	119	122.5	124.5	127.5
C	18	20.5	20.5	23	25	27	28	29.5	30.5



NO.	零件名稱 ITEM NAME	零件料號 ITEM NO.	材質 MATERIAL	數量 QTY
1	螺絲 / BLOT	B501	SCM	2PCS
2	6621 正牙碗 / CUP-L	B302-1	1008	1PCS
3	B6621 心軸 / AXLE	B6621	10B21	1PCS
4	6621 反牙碗 / CUP-R	B202-1	1008	1PCS
5	中套 / SHELL	B551	AL6061	1PCS
6	培林 / SEALED BEARING	R403	SUJ2	2PCS

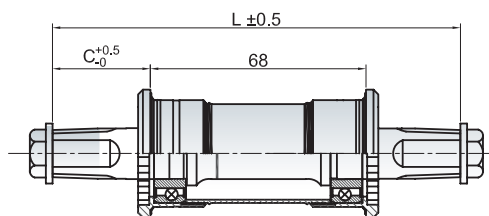




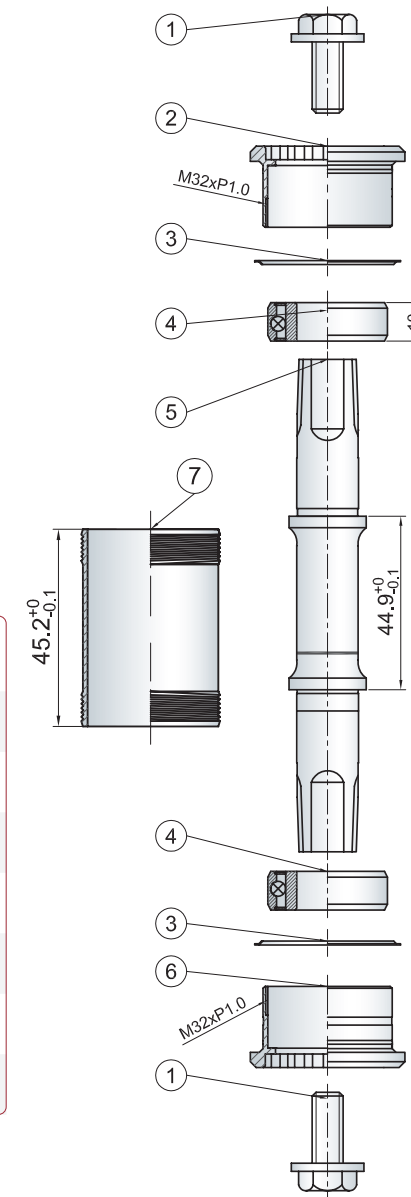
## PT-6622 Threadless

Theadless cartridge type BB  
 Cartridge sealed bearings  
 Cold-forged steel cups/water seals  
 Steel shell  
 10B21 CNC machined solid black axle

Bracket Width: 68									
L	107.5	110.5	113.5	116	119	122.5	124.5	126.5	127.5
C	20.5	20.5	23	25	27	28	29.5	31.5	30.5

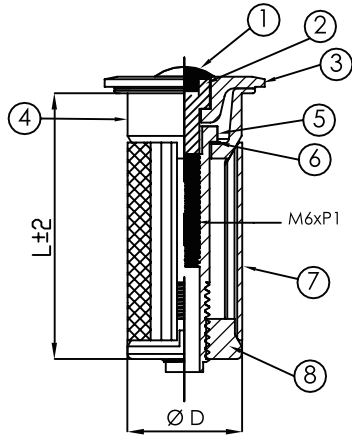


NO.	零件名稱 ITEM NAME	零件料號 ITEM NO.	材質 MATERIAL	數量 QTY
1	M8 外六角螺絲 / BLOT	B501	SCM	2PCS
2	6622 左碗 / CUP-L	B202-3	1008	1PCS
3	止滑墊片 / SPACER	B607	AL6061	2PCS
4	培林 / SEALED BEARING	R403	SUJ2	2PCS
5	B6622 心軸 / AXLE	B6622	10B21	2PCS
6	6622 右碗 / CUP-R	B202-2	1008	1PCS
7	6622 中套 / SHELL	B553	1008	1PCS



SQUARE COTTERLESS BB

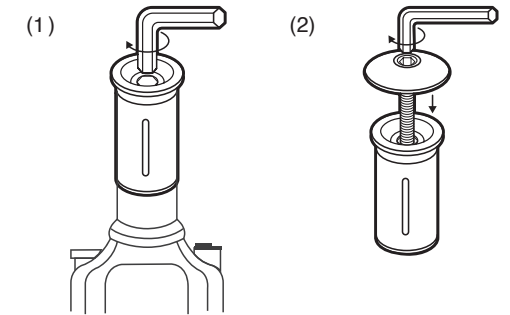
## PT-1726 series SUPER LIGHT EXPANDER



PAT. NO.  
M666468 Taiwan

Application PAT. NO.  
20 2024 107 099.2 Germany  
202422694769.X China

1. For steerer options: ID: 22~23, ID 23.2~24.3
2. Light weight, full set made by Alloy.
3. Length option: L: 30mm, L: 55mm, L: 70mm, L: 95mm
4. Ribbed track design for the inner shell.
5. Separate point design for lower compression.
6. The point will move along the track when tightening, force will be move evenly, and prevent components stuck with each other.



### How to Use

1. Put expander into front fork, and tighten it with allen key.
2. Tighten top cap on stem.
3. For steerer IDø23.2~24.3

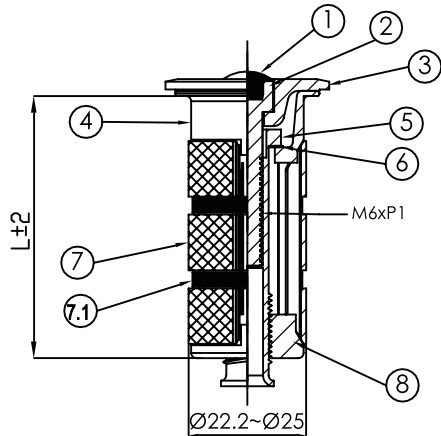
規格 SPECIFICATION	上壓 UPPER COMPRESSION	下壓 LOWER COMPRESSION
ø23	L2110	L3110
ø22	L2111	L3111

型號	中空螺絲	中套		L+2
PT-1726	L1051A	L4132	L4133	30
PT-1726L	L1052	L4132-1	L4133-1	55
PT-1726H	L1060	L4132-2	L4133-2	70
PT-1726HL	L1069	L4132-3	L4133-3	95

NO.	零件名稱 ITEM NAME	零件料 ITEM NO.	材質 MATERIAL	數量 QTY
1	塑膠塞 / PLASTIC PLUG	L1101	Rubber	1PCS
2	M6x1.0x30L 螺絲 / BOLT	-	SCM	1PCS
3	1 1/8" 鋁頂 / TOP CAP	-	AL6061	1PCS
4	上壓 / UPPER COMPRESSION	L2110	AL6061	1PCS
5	中空螺絲 / HOLLOW SCREW	-	AL6061	2PCS
6	白鐵華司 (ø14xø10.5x0.3) / WASHER	H2213	SUS304	1PCS
7	中套 / SHELL	-	AL6061	2PCS
8	雙凸下壓 / LOWER COMPRESSION	L3110	AL6061	2PCS

MODEL NO.	② BOLT		③ TOP CAP		①
型號 Model No.	零件料號 Item No.	材質 Material	零件料號 Item No.	材質 Material	塑膠塞 Plastic Plug
PT-1726/L/H/HL	L1002	SCM	L5101	AL6061	◎
PT-1726A/LA/HA/HLA	L1059	AL2024	L5104A-1	AL6061	◎
PT-1726C/LC/HC/HLC	L1057	SCM	L5104A-1	AL6061	◎
PT-1726D/LD/HD/HLD	L1057	SCM	L5107	AL6061	◎
PT-1726F/LF/HF/HLF	L1057	SCM	L5114-1	AL6061	◎
PT-1726G/LG/HG/HLG	L1057	SCM	L5114-2	AL6061	◎
PT-1726K/LK/HK/HLK	L1002	SCM	L5304-2	AL6061	◎
PT-1726J/LJ/HJ/HLJ	L1002	SCM	L5304-1	AL6061	◎
PT-1726CF/LCF/HCF/HLCF	L1055	SUS	L5102	Carbon	-

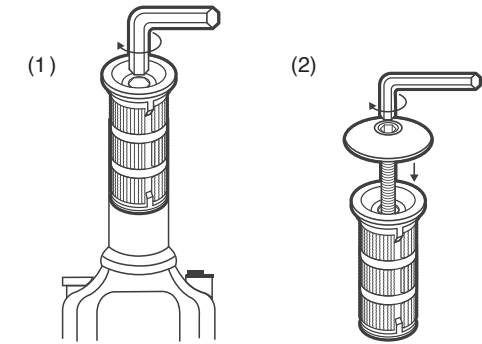
## PT-1727 series SUPER LIGHT EXPANDER



PAT. NO.  
M666468 Taiwan

Application PAT. NO.  
20 2024 107 099.2 Germany  
202422694769.X China

1. Available for ID 22~25 range.
2. Light weight, full set made by Alloy.
3. 3 piece design for better tighten force.
4. Length option: L: 30mm, L: 55mm, L: 70mm, L: 95mm
5. Ribbed track design for the inner shell.
6. Seperate point design for lower compression.
7. The point will move along the track when tightening, force will be move evenly, and prevent components stuck with each other.












How to Use

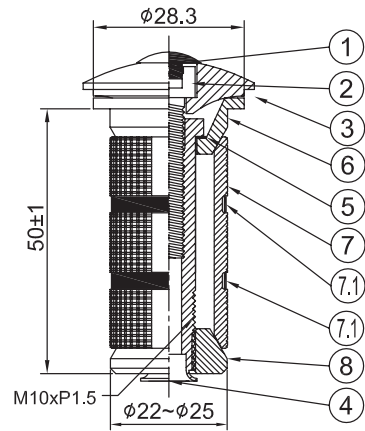
1. Put expander into front fork, and tighten it with allen key.
2. Tighten top cap on stem.

型號	中空螺絲 ⑤	中管 ⑦		L+2
PT-1727	L1051A	L1051A	L4134	30
PT-1727L	L1052	L1052	L4134-1	55
PT-1727H	L1060	L1060	L4134-2	70
PT-1727HL	L1069	L1069	L4134-3	95

NO.	零件名稱 ITEM NAME	零件料 ITEM NO.	材質 MATERIAL	數量 QTY
1	塑膠塞 / PLACTIC PLUG	L1101	Rubber	1PCS
2	M6x1.0x30L 螺絲 / BOLT	-	SCM	1PCS
3	1 1/8" 鋁頂 / TOP CAP	-	AL6061	1PCS
4	上壓 / UPPER COMPRESSION	L2113	AL6061	1PCS
4	中空螺絲 M6x1.0 / HOLLOW BOLT	-	AL6061	1PCS
5	白鐵華司 (ø14xø10.5x0.3) / WASHER	H2213	SUS304	1PCS
7	中套 / SHELL	-	AL6061	1PCS
7.1	彈簧片圈 / SPRING	A299	SUS301	2PCS
8	3 凸下壓 / LOWER COMPRESSION	L3113	AL6061	1PCS

L: 30mm	② BOLT		③ TOP CAP		①
	零件料號 Item No.	材質 Material	零件料號 Item No.	材質 Material	塑膠塞 Plastic Plug
PT-1727/L/H/HL	L1002	SCM	L5101	 AL6061	◎
PT-1727A/LA/HA/HLA	L1059	AL2024	L5104A-1	 AL6061	◎
PT-1727C/LC/HC/HLC	L1057	SCM	L5104A-1	 AL6061	◎
PT-1727D/LD/HD/HLD	L1057	SCM	L5107	 AL6061	◎
PT-1727F/LF/HF/HLF	L1057	SCM	L5114-1	 AL6061	◎
PT-1727G/LG/HG/HLG	L1057	SCM	L5114-2	 AL6061	◎
PT-1727K/LK/HK/HLK	L1057	SCM	L5304-2	 AL6061	◎
PT-1727J/LJ/HJ/HLJ	L1002	SCM	L5304-1	 AL6061	◎
PT-1727CF/LCF/HCF/HLCF	L1055	SUS	L5102	 Carbon	-

## PT-1708 series SUPER LIGHT EXPANDER



PAT. NO.

M558751 Taiwan  
202017105932 Germany  
ZL201721090275.4 China



50 mm  
29g

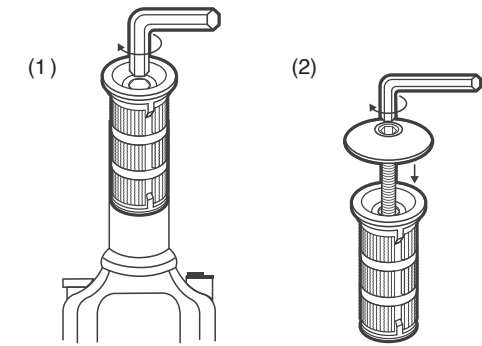


65 mm  
36g



90 mm  
47g

1. Available for ID 22~25 range.
2. Light weight, full set made by Alloy.
3. 3 piece design for better tighten force.
4. Length option: L: 50mm, L: 65mm, L: 90mm
5. Appearance by cross lines, or better tighten force.
6. 3 separate point design for upper compression and lower compression, the compression force will be move evenly.



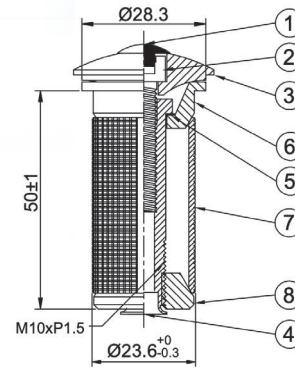
How to Use

1. Put expander into front fork, and tighten it with allen key.
2. Tighten top cap on stem.

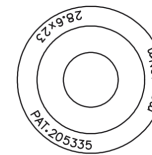
NO.	零件名稱 ITEM NAME	零件料 ITEM NO.	材質 MATERIAL	數量 QTY
1	塑膠塞 / PLACTIC PLUG	L1101	Rubber	1PCS
2	M6x1.0x30L 螺絲 / BOLT	-	-	1PCS
3	1 1/8" 鋁頂 / TOP CAP	-	-	1PCS
4	M10x1.5 中空螺絲 M6x1.0 / HOLLOW BOLT	L1052	AL6061	1PCS
5	白鐵華司 (<math>\phi 14 \times \phi 10.5 \times 0.3</math>) / WASHER	H2213	SUS304	1PCS
6	三凸上壓 / UPPER COMPRESSION	L2105-1	AL6061	1PCS
7	中套 / SHELL	L4124-1	AL6061	2PCS
7.1	彈簧片圈 / SPRING	A299	SUS301	2PCS
8	3凸下壓 / LOWER COMPRESSION	L3107	AL6061	1PCS

MODEL NO.			② BOLT		③ TOP CAP			①	
L: 50mm	L: 65mm	L: 90mm	零件料號 Item No.	材質 Material	零件料號 Item No.	材質 Material	塑膠塞 Plastic Plug	CAP	
PT-1708	PT-1708H	PT-1708HL	L1002	SCM	L5101	S	◎		Alloy Cap
PT-1708A	PT-1708HA	PT-1708HLA	L1059	AL2024	L5104A-1	AL6061	◎		Super Light Cap
PT-1708C	PT-1708HC	PT-1708HLC	L1057	SCM	L5104A-1	AL6061	◎		Super Light Cap
PT-1708D	PT-1708HD	PT-1708HLD	L1057	SCM	L5107	AL6061	◎		Alloy Light Cap
PT-1708F	PT-1708HF	PT-1708HLF	L1057	SCM	L5114-1	AL6061	◎		Flat Cap
PT-1708G	PT-1708GF	PT-1708HLG	L1057	SCM	L5114-2	AL6061	◎		Flat Cap
PT-1708CF	PT-1708HCF	PT-1708HLCF	L1055	SUS	L5102	Carbon	-		Full Carbon Cap

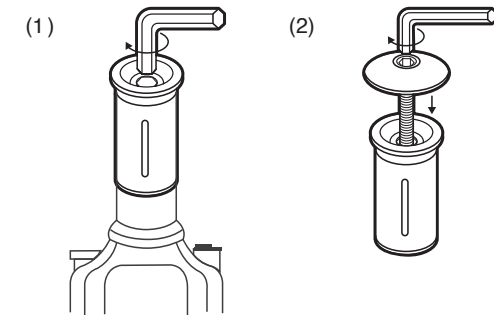
## PT-1722 series



10Nm



鐫刻No.= 000-802-014



### How to Use

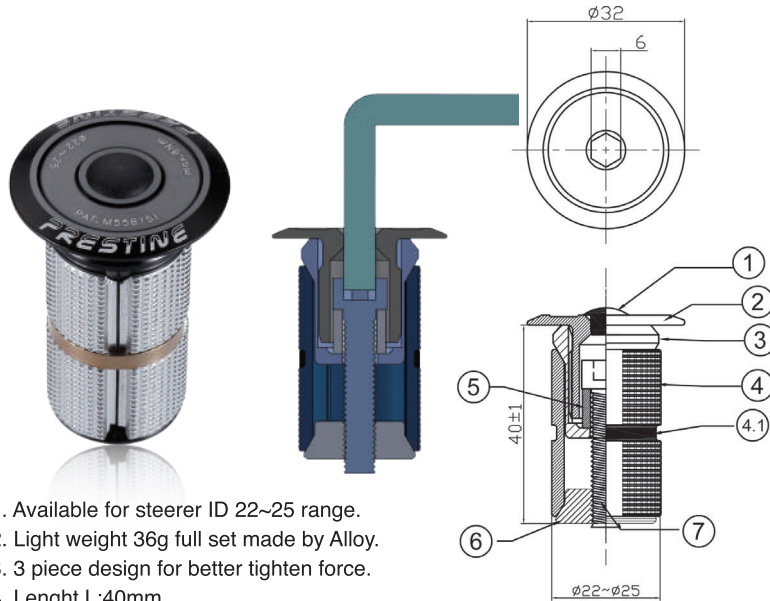
1. Put expander into front fork, and tighten it with allen key.
2. Tighten top cap on stem.
3. For steerer IDø23.2~24.3

NO.	零件名稱 ITEM NAME	零件料 ITEM NO.	材質 MATERIAL	數量 QTY
1	塑膠塞 / PLACTIC PLUG	L1101	Rubber	1PCS
2	M6x1.0x30L 螺絲 / BOLT	-	-	1PCS
3	1 1/8" 鋁頂 / TOP CAP	-	-	1PCS
4	M10 中空螺絲 M6(加長型) / HOLLOW BOLT	L1052	AL6061	1PCS
5	白鐵華司 (ø14xø10.5x0.3) / WASHER	H2213	SUS304	1PCS
6	鋁上壓 10Nm / UPPER COMPRESSION	L2102	AL6061	1PCS
7	中套 / SHELL	L4131-2	AL6061	1PCS
8	鋁下壓 / LOWER COMPRESSION	L3102	AL6061	1PCS

MODEL NO.				② BOLT		③ TOP CAP		①	
L: 25 mm	L: 50mm	L: 65mm	L: 90mm	零件料號 Item No.	材質 Material	零件料號 Item No.	材質 Material	塑膠塞 Plastic Plug	CAP
PT-1722	PT-1722L	PT-1722H	PT-1722HL	L1002	SCM	L5101	AL6061	◎	Alloy Cap
PT-1722A	PT-1722LA	PT-1722HA	PT-1722HLA	L1059	AL2024	L5104A-1	AL6061	◎	Super Light Cap
PT-1722C	PT-1722LC	PT-1722HC	PT-1722HLC	L1057	SCM	L5104A-1	AL6061	◎	Super Light Cap
PT-1722D	PT-1722LD	PT-1722HD	PT-1722HLD	L1057	SCM	L5107	AL6061	◎	Alloy Light Cap
PT-1722F	PT-1722LF	PT-1722HF	PT-1722HLF	L1057	SCM	L5114-1	AL6061	◎	Flat Cap
PT-1722G	PT-1722LG	PT-1722HG	PT-1722HLG	L1057	SCM	L5114-2	AL6061	◎	Flat Cap
PT-1722CF	PT-1722LCF	PT-1722HCF	PT-1722HLCF	L1055	SUS	L5102	Carbon	-	Full Carbon Cap
PT-1722S	PT-1722LS	PT-1722HS	PT-1722HLS	L1055	SUS	L5114-2	AL6061	-	Flat Cap

## EXPANDERS SERIES

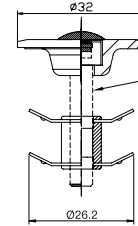
### PT-1724



1. Available for steerer ID 22~25 range.
2. Light weight 36g full set made by Alloy.
3. 3 piece design for better tighten force.
4. Length L:40mm
5. It can be tightened the expander in one step.

NO.	零件名稱 ITEM NAME	零件料 ITEM NO.	材質 MATERIAL	數量 QTY
1	塑膠塞 / RUBBER	H8404	PVC	1PCS
2	1 1/8" 鋁頂 / TOP CAP	L5203	AL6061	1PCS
3	鋁上壓 / UPPER COMPRESSION	L2108	AL6061	1PCS
4	中套 / SHELL	L435-1	AL6061	1PCS
4.1	彈簧片圈 / SPRING	A299	SUS301	1PCS
5	鋁墊圈 / WASHER	H2221	AL6061	1PCS
6	鋁下壓 / LOWER COMPRESSION	L3109	AL6061	1PCS
7	M6 x 1.0 x 30L 螺絲 / BLOT	L1002	SCM	1PCS

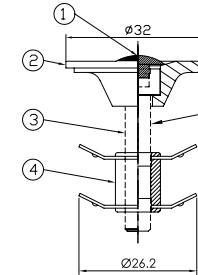
### PT-1701K



Cap1 1 1/8" flat cap /steel socket head cap bolt with rubber top plug. double star nut.  
Weight 24g  
Finish Anodized

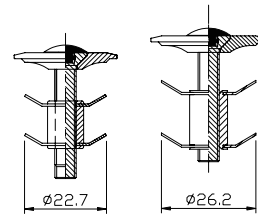


### PT-1701J



Cap1 1 1/8" flat cap /steel socket head cap bolt with rubber top plug. double star nut.  
Weight 24g  
Finish Anodized

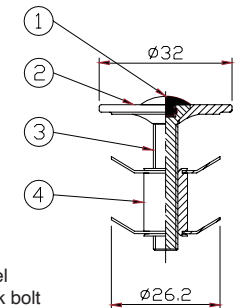
### PT-1710G



Cap1 1 1/8" flat cap /steel socket countersunk bolt with rubber top plug. double star nut.  
Weight 22.2g  
Finish Anodized



### PT-1710B



Cap1 1 1/8" flat cap /steel socket countersunk bolt with rubber top plug. double star nut.  
Weight 22.2g  
Finish Anodized

### PT-1712SCF



Cap1 1 1/8" carbon looking design top cap, with Alloy bolt and steel+alloy double star nut.  
Weight 16.5g  
Finish Anodized

## SPACER



PT-67A

ALLOY 28.6x3mm  
28.6x5mm  
28.6x8mm  
28.6x10mm  
28.6x15mm  
28.6x20mm



PT-67C

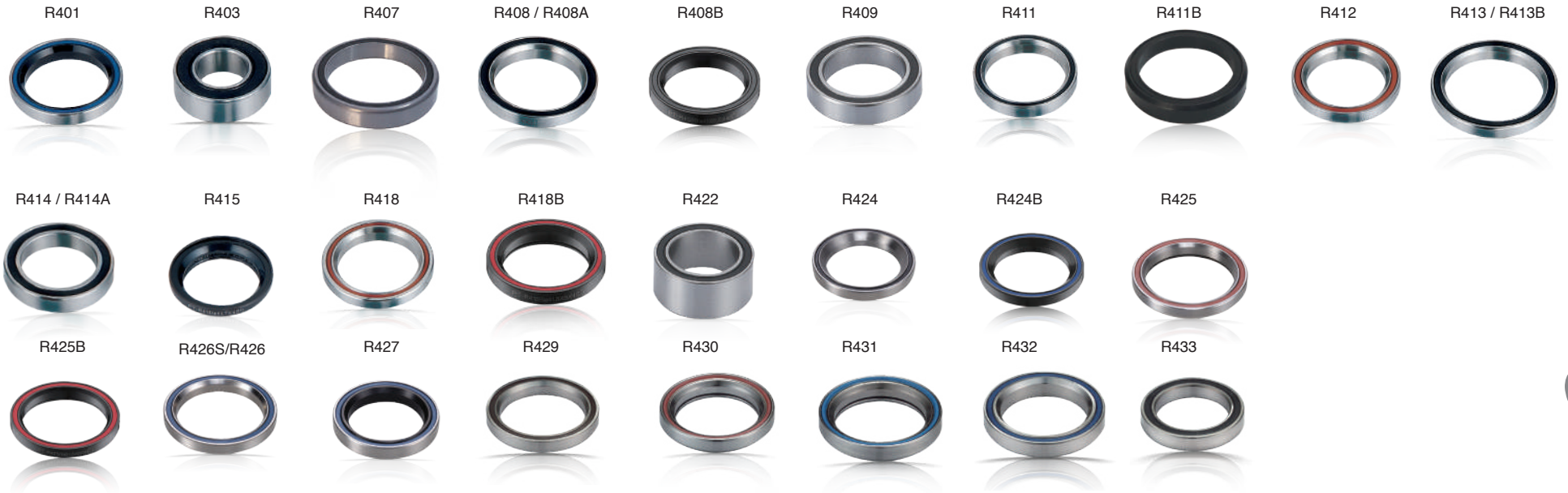
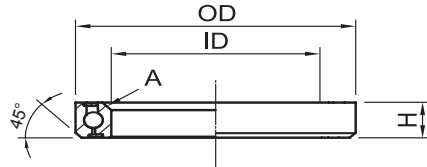
CARBON 28.6x5mm  
28.6x10mm  
28.6x15mm  
28.6x20mm



PT-67UD

UD CABON 28.6x5mm  
28.6x10mm  
28.6x15mm  
28.6x20mm

## BEARINGS



BEARINGS

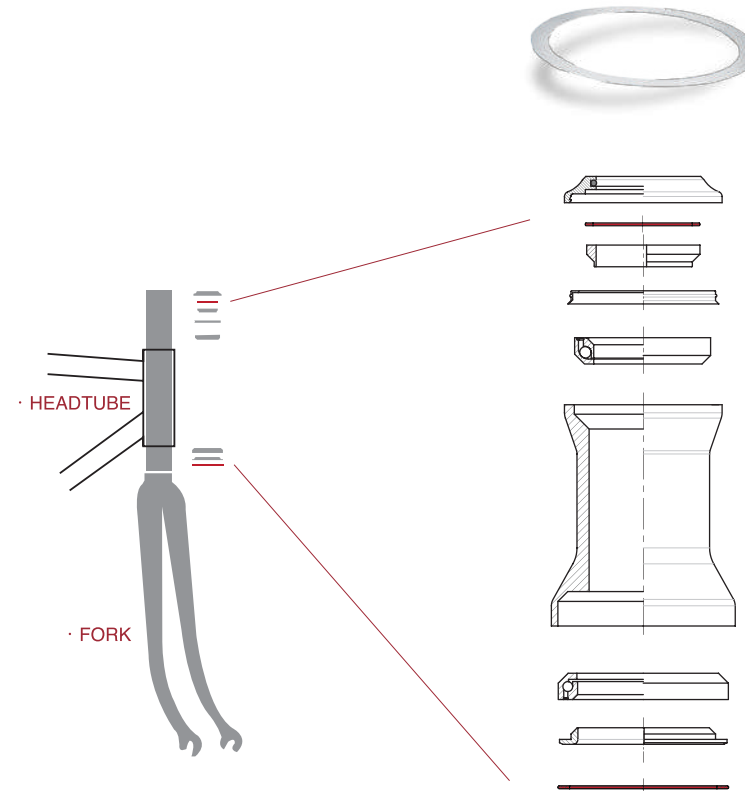


R401	Sealed AC Bearing (OD:41 x ID:30.1 x H:6.5 x A:36°)	R430	Cartridge Ball Bearing (OD:41.8 x ID:30.5 x H:7.7 x A:45°)
R403	Sealed Cartridge Bearing (OD:31 x ID:16 x H:10)	R431	Cartridge Ball Bearing (OD:41 x ID:30.5 x H:7.7 x A:45°)
R407	Sealed Cartridge Bearing (OD:39 x ID:30.2 x H:6.5)	R432	Sealed AC Bearing (OD:38 x ID:27.1 x H:6.5 x A:45°)
R408	Sealed AC Bearing (OD:41 x ID:30.1 x H:6.5 x A:45°)	R433	Sealed Cartridge Bearing (OD:42 x ID:30 x H:7)
R408A	Sealed AC <b>Ceramic Bearing</b> (OD:41 x ID:30.1 x H:6.5 x A:45°)	R433A	Sealed Cartridge <b>Ceramic Bearing</b> (OD:42 x ID:30 x H:7)
R408B	Sealed AC Bearing (OD:41 x ID:30.1 x H:6.5 x A:45°) <b>w/High-heat Blackening</b>	R437	Sealed AC Bearing (OD:52 x ID:40 x H:8 x A:45°) Double seal
R409	Sealed Cartridge Bearing (OD:31 x ID:21.5 x H:7)	R438S	Stainless Sealed AC Bearing (OD:51.8 x ID:40 x H:8 x A:36°) Stainless steel
R411	Sealed AC Bearing (OD:39 x ID:30.1 x H:6.5 x A:45°)	R438	Stainless Sealed AC Bearing (OD:51.8 x ID:40 x H:8 x A:36°)
R411B	Sealed AC Bearing (OD:39 x ID:30.1 x H:6.5 x A:45°) <b>w/High-heat Blackening</b>	R443	Sealed AC Bearing (OD:41.8 x ID:32.7 x H:6 x A:45°)
R412	Sealed AC Bearing (OD:41.8 x ID:30.1 x H:6.5 x A:45°)	R446A	Sealed AC Bearing (OD:41.8 x ID:30.15 x H:8.4 x A:45°)
R413/R413B	Sealed AC Bearing (OD:52 x ID:40 x H:7 x A:45°) <b>R413B w/High-heat Blackening</b>	R447A	Sealed AC Bearing (OD:51.8 x ID:40 x H:8 x A:45°)
R414	Sealed Cartridge Bearing (OD:37 x ID:25 x H:7)	R448B	Sealed AC Bearing (OD:49 x ID:40 x H:6 x A:45°) <b>w/Blackening</b>
R414A	Sealed Cartridge <b>Ceramic Bearing</b> (OD:37 x ID:25 x H:7)	R449	Sealed AC Bearing (OD:41.8 x ID:30.5 x H:8 x A:36°)
R415	Needle Bearing (OD:41.7 x ID:30.1 x H:9 x A:45°)	R450	Sealed Cartridge Bearing (OD:30 x ID:17 x H:7)
R418	Sealed AC Bearing (OD:41.8 x ID:30.5 x H:8 x A:45°)	R451	Sealed Cartridge Bearing (OD:37 x ID:24 x H:7)
R418B	Sealed AC Bearing (OD:41.8 x ID:30.5 x H:8 x A:45°) <b>w/High-heat Blackening</b>	R451A	Sealed Cartridge <b>Ceramic Bearing</b> (OD:37 x ID:24 x H:7) <b>w/High-heat Blackening</b>
R418T	Sealed AC Bearing (OD:41.8 x ID:30.5 x H:8 x A:45°) <b>Titanium plating</b>	R454	Sealed Cartridge Double Ball orbit Bearing (OD:41 x ID:30 x H:11.2)
R422	Sealed Cartridge Bearing (OD:31 x ID:21.5 x H:14)	R457B	Sealed AC Bearing (OD:52 x ID:42 x H:7 x A:45°) for 1.5"
R424	Sealed AC Bearing (OD:46.9 x ID:34.1 x H:7 x A:45°)	R457T	Sealed AC Bearing (OD:52 x ID:42 x H:7 x A:45°) for 1.5" <b>Titanium plating</b>
R424B	Sealed AC Bearing (OD:46.9 x ID:34.1 x H:7 x A:45°) <b>w/High-heat Blackening</b>	R458B	<b>Sealed AC Bearing (OD:61.9 x ID:50 x H:8 x A:45°) for 1.8"</b>
R425	Sealed AC Bearing (OD:51.8 x ID:40 x H:8 x A:45°)	R461	Sealed AC Bearing (OD:49.5 x ID:40.5 x H:6.5 x A:45°) <b>w/High-heat Blackening</b>
R425B	Sealed AC Bearing (OD:51.8 x ID:40 x H:8 x A:45°) <b>w/High-heat Blackening</b>	R462	Sealed AC Bearing (OD:44 x ID:38 x H:5.5 x A:36° / 45°)
R426S	Stainless Sealed AC Bearing (OD:52 x ID:40 x H:7 x A:36°) Stainless steel	R465B	Sealed AC Bearing (OD:51.8 x ID:40 x H:7 x 45° / 45°) <b>w/High-heat Blackening</b>
R426	Sealed AC Bearing (OD:52 x ID:40 x H:7 x A:36°)	R466A	Sealed AC Bearing (OD:51.8 x ID:40 x H:8 x 36°)
R427	Sealed AC Bearing (OD:38 x ID:27.1 x H:6.5 x A:36°)	R468	Sealed AC Bearing (OD:61.9 x ID:50 x H:8 x 36°)
R429	Sealed AC Bearing (OD:49 x ID:37 x H:7 x A:36°)	R469B	Sealed AC Bearing (OD:52 x ID:42 x H:7 x 36°) <b>w/High-heat Blackening</b>

## MICRO SPACER PT-67M

1-1/8" micro spacer, T: 0.25mm, ID: 28.6mm  
1-1/8" fork steerer

Minor adjustable for space between Upper Head tube & Headset top cover



## PT-67B

MICRO SPACER / T: 0.25mm  
ID: 30.2mm, for 1-1/8" Crown race / fork bottom  
ID: 33.2mm, for 1-1/4" Crown race / fork bottom  
ID: 40mm, for 1.5" Crown race / fork bottom

Minor adjustable for space between bottom head tube & fork crown.

STEEL/ T: 0.25mm

HEADSETS  
BOTTOM BRACKETS  
EXPANDER & TENSION ADJUSTER  
ACCESSORIES  
BEARINGS

**GO GREEN**

***PRESTINE***

元城工業有限公司 YANTEC INDUSTRIES INC.

TEL 886-4-2559 1888 / FAX 886-4-2556 0168

421 台中市后里區舊社路95-18號

No.95-18, Jiushe Rd., Houli Dist., Taichung City 421, Taiwan

prestine@ms77.hinet.net / service@prestine.com.tw

Know More

